

Network Video Recorder

NVR301-B-LP-IQ Series



Features

- Support Ultra 265/H.265/H.264 video formats
- 4/8/16-channel input
- Plug & Play with 4/8 independent PoE network interfaces
- Support mainstream cameras of ONVIF conformance(Profile S, Profile G, Profile T) and RTSP protocols
- Support HDMI and VGA simultaneous output
- Up to 12 Megapixels resolution recording
- ANR technology to enhance the storage reliability when the network is disconnected
- Support cloud upgrade

Specifications

Model	NVR301-04B-LP4-IQ	NVR301-08B-LP8-IQ	NVR301-16B-LP8-IQ
Decoding			
Decoding Format	Ultra 265,H.265,H.264		
Decoding Capability	Smart Off: 2 x 12MP@30, 2 x 4K@30, 4 x 4MP@30 Smart On: 2 x 4K@30, 4 x 4MP@30	Smart Off: 2 x 12MP@30, 2 x 4K@30, 4 x 4MP@30, 8 x 1080P@30 Smart On: 2 x 4K@30, 4 x 4MP@30, 8 x 1080P@30	Smart Off: 2 x 12MP@30, 2 x 4K@30, 4 x 4MP@30, 10 x 1080P@30, 16 x 720P@30 Smart On: 2 x 4K@30, 4 x 4MP@30, 8 x 1080P@30, 16 x 720P@30
Decoding Capability Description	The resolution of each channel cannot exceed 8192 pixels in length and 4096 pixels in width		

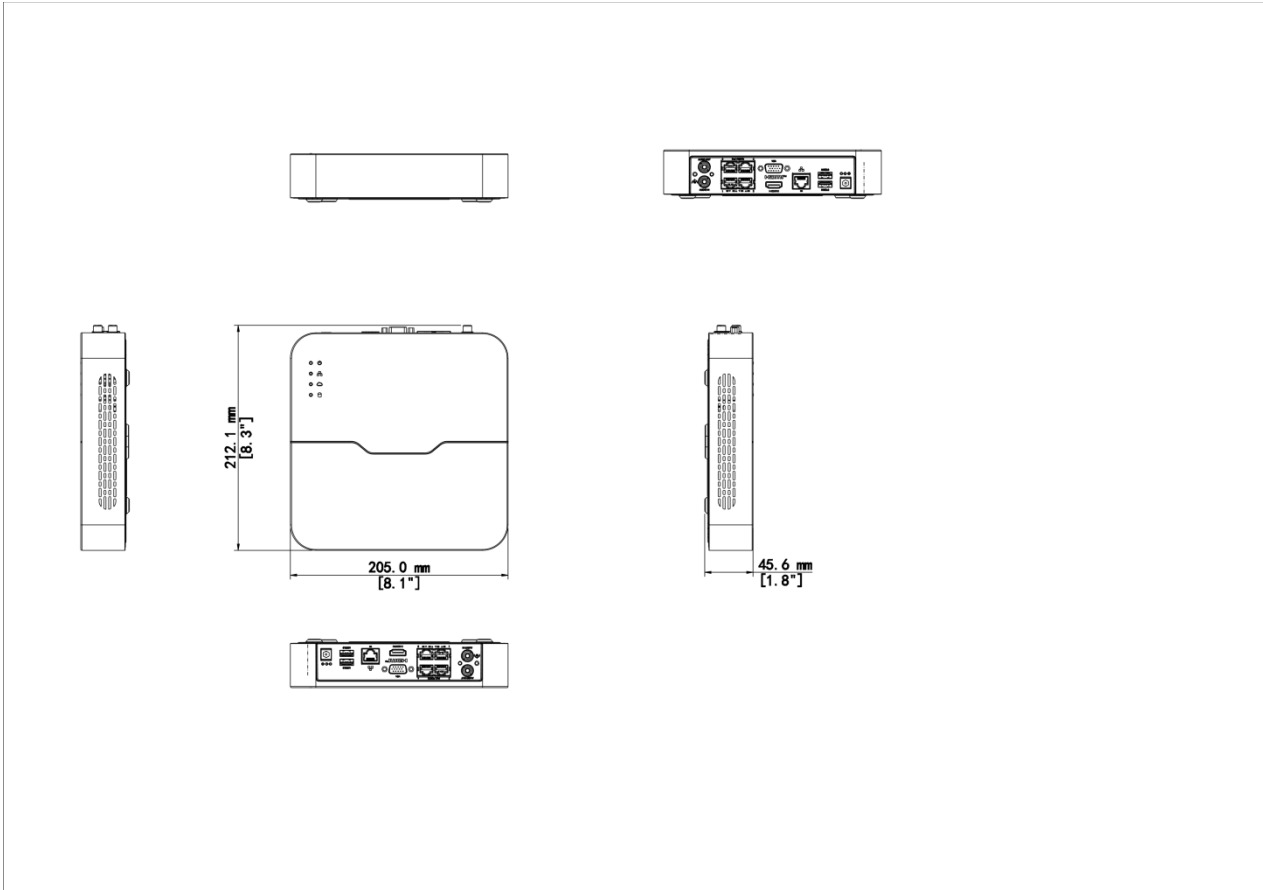
Audio Compression	G.711A, G.711U		
Network			
Incoming Bandwidth	80 Mbps		
Outgoing Bandwidth	80 Mbps		
Remote Users	128		
Protocols	TCP/IP, P2P, NTP, DHCP, PPPoE, HTTP, HTTPS, DNS, DDNS, SNMP, SMTP, RTSP, IPv6, IPv4		
Browser(Plugin)	IE10, IE11, Chrome 45+, Edge 79+, Firefox 52+		
Video/Audio Input			
IP Video Input	4-ch	8-ch	16-ch
RCA Audio Input	1-ch		
Video/Audio Output			
HDMI Output	4K (3840 × 2160)/30 Hz, 1920 × 1080/60 Hz, 1920 × 1080/50 Hz, 1600 × 1200/60 Hz, 1280 × 1024/60 Hz, 1280 × 720/60 Hz, 1024 × 768/60 Hz		
VGA Output	1920 × 1080/60 Hz, 1920 × 1080/50 Hz, 1600 × 1200/60 Hz, 1280 × 1024/60 Hz, 1280 × 720/60 Hz, 1024 × 768/60 Hz		
RCA Audio Output	1-ch		
Liveview Display	1/4	1/4/6/8/9	1/4/6/8/9/16
Corridor Mode Screen	3/4	3/4/5/7/9	3/4/5/7/9/10/12/16
Two-way Audio			
Two-way Audio	1-ch,RCA(Using the audio input and output)		
Snapshot			
FTP/Schedule/Event Snapshot	4-ch snapshot (max. D1 (720 × 576) video resolution, with D1 snapshot resolution)		
Recording			
Recording Resolution	12 MP/8 MP/6 MP/5 MP/4 MP/3 MP/1080P/960P/720P/D1/2CIF/CIF		
Num of Concurrent Playback	16-ch		
Smart			

VCA Detection by IPC	Face Detection, Face Comparison, Vehicle Detection, SIP (Intrusion Detection, Cross Line Detection, Enter Area, Leave Area), Ultra Motion Detection (UMD), People Counting (People Flow Counting, Crowd Density Monitoring), Traffic Monitoring		
Smart by NVR	Face Detection, Face Comparison, Smart Intrusion Prevention (SIP), Ultra Motion Detection (UMD)		
VCA Search	Face Snapshot Search, Face Comparison Search, Motor Vehicle Search, Non-Motor Vehicle Search, Human Body Search, General Search, People Counting Report, Heat Map, AcuSearch		
Smart by IPC	All channels (up to 8 images/s in total)Face Detection,Face Comparison,Vehicle Detection,SIP,UMD,Traffic Monitoring		
Search by Image	Support		
SIP by NVR	2-ch		
UMD by NVR	4-ch		
Alarm			
General Alarm	Defocus Detection, Scene Change Detection, Object Left Behind, Object Removed, Auto Tracking, Motion Detection, Tampering, Human Body Detection, Video Loss, Alarm Input, Audio Detection		
Alert Alarm	IP Conflict, Network Disconnected, Disk Offline, Disk Abnormal, Illegal Access, Hard Disk Space Low, Hard Disk Full, Recording/Snapshot Abnormal		
GUI Language			
GUI Language	38 languages: Simplified Chinese, Traditional Chinese, English, Vietnamese, Thai, Turkish, Spanish (Latin America), Portuguese (Brazil), Spanish, Portuguese, French, German, Italian, Dutch, Polish, Czech, Hungarian, Slovak, Russian, Hebrew, Arabic, Ukrainian, Estonian, Bulgarian, Greek, Romanian, Danish, Swedish, Norwegian, Finnish, Croatian, Slovenia, Serbia, Korean, Japanese, Latvian, Lithuanian, Persian		
Hard Disk			
SATA	1 SATA Interfaces		
Capacity	Up to 10 TB for each HDD (The maximum HDD capacity varies with environment temperature)		
External Interface			
Network Interface	1 RJ45 10 M/100 M self-adaptive Ethernet Interface		
USB	Rear panel: 1 × USB2.0, 1 × USB3.0		
RS485	N/A		
RS232	N/A		
Alarm In	N/A		
Alarm Out	N/A		
Power Supply	DC 48 V/1.35 A	DC 52 V/1.8 A	DC 52 V/1.8 A
Power Switch	N/A		
PoE			
PoE Interface	4 RJ45 10 M/100 M self-adaptive Ethernet Interface	8 RJ45 10 M/100 M self-adaptive Ethernet Interface	8 RJ45 10 M/100 M self-adaptive Ethernet Interface
Max Power	Max 30W for single port,Max 50W in total	Max 30W for single port,Max 75W in total	Max 30W for single port,Max 75W in total

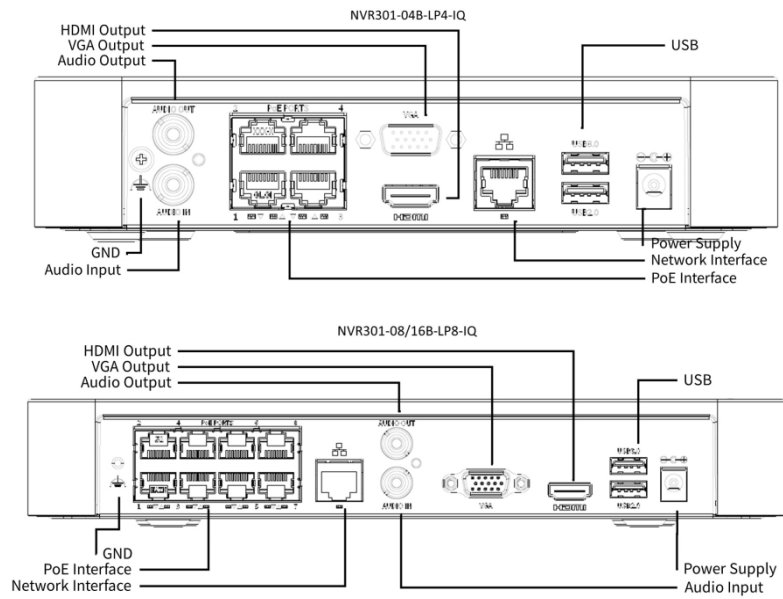
Supported Standard	IEEE 802.3at, IEEE 802.3af		
Working Environment			
Working Temperature	-10 °C ~ + 55 °C (+14 °F ~ +131 °F)		
Working Humidity	≤ 90% RH (non-condensing)		
Power Consumption (without HDD)	≤ 12W		
Dimensions			
Weight (without HDD)	≤ 2.7Kg (6.0lb)	≤ 4Kg (8.8lb)	≤ 4Kg (8.8lb)
Height	1U		
Dimensions	205mm × 212mm × 46mm (8.1"×8.3"×1.8")	270mm × 212mm × 46mm (10.6"×8.3"×1.8")	270mm × 212mm × 46mm (10.6"×8.3"×1.8")
Certification			
Certification	CE; FCC; UL; RoHS; WEEE		
CE	EN 55032, EN 61000-3-3, EN IEC 61000-3-2, EN 55035		
FCC	Part15 Subpart B		

Dimensions

Aggregate product size diagram using NVR301-04B-LP4-IQ as an example



Rear Panel



Zhejiang Uniview Technologies Co., Ltd.

No. 369, Xietong Road, Xixing Sub-district, Binjiang District, Hangzhou City, 310051, Zhejiang Province, China

Email: overseasbusiness@uniview.com; globalsupport@uniview.com

<http://www.uniview.com>

©2024-2025 Zhejiang Uniview Technologies Co., Ltd. All rights reserved.

*Product specifications and availability are subject to change without notice.

*Despite our best efforts, technical or typographical errors may exist in this document. Uniview cannot be held responsible for any such errors and reserves the right to change the contents of this document without prior notice.