

5MP LightHunter Active Deterrence Mini PTZ Camera

IPC6315LFW-AX5C-VG1



Features

- High quality image with 5MP, 1/2.8" CMOS sensor
- Ultra 265, H.265, H.264, MJPEG
- Smart intrusion prevention, support false alarm filtering, include Cross Line, Intrusion, Enter Area, Leave Area detection
- LightHunter technology ensures ultra-high image quality in low illumination environment
- Up to 120 dB WDR (Wide Dynamic Range)
- Built-in Mic & Speaker
- Smart IR, Up to 50 m (164 ft) IR distance and 15m (49 ft) warm light distance
- Micro SD, up to 512GB
- IP66 protection
- DC12V or PoE (IEEE 802.3at) power supply

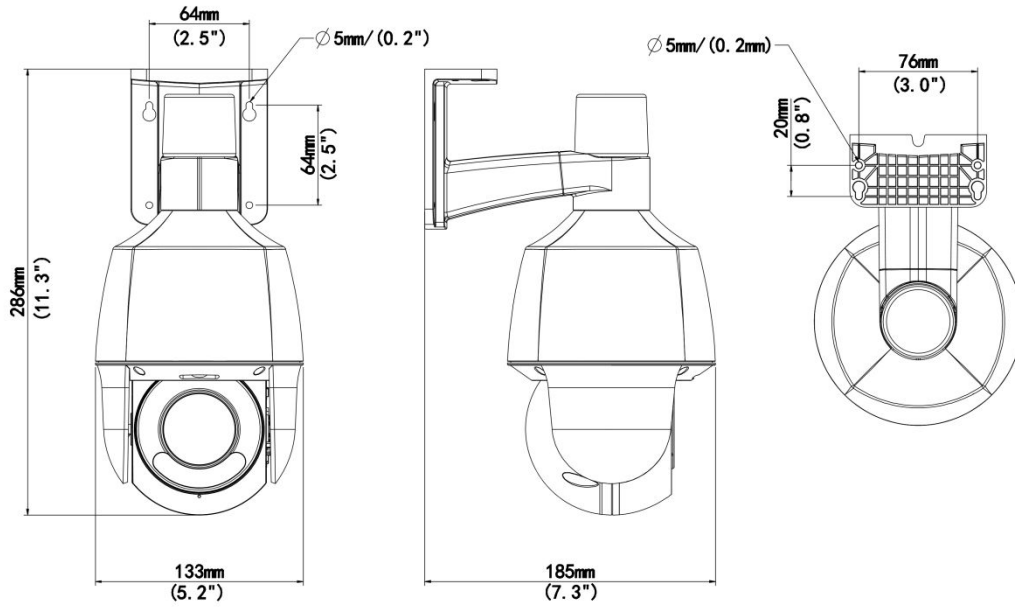
Specifications

| | |
|------------------------------------|---|
| Model | IPC6315LFW-AX5C-VG1 |
| Camera | |
| Max Resolution | 5 MP |
| Sensor | 1/2.7" CMOS |
| Min. Illumination | Colour:0.005lux (F1.6,AGC ON) 0 lux with IR |
| Day/Night | IR-cut filter with auto switch (ICR) |
| Shutter | Auto/Manual, 1 to 1/100000 s |
| WDR | 120 dB |
| S/N | >56 dB |
| Lens | |
| Focal Length | 2.7 to 13.5 mm |
| Optical Zoom | 5X |
| Iris | F1.6 |
| Field of View (H) | 106.91°~33.55° |
| Field of View (V) | 56.45°~18.99° |
| Field of View (D) | 123.1°~42.1° |
| DORI | |
| DORI Distance (Detect) | 72 m ~ 229.5 m (236.2 ft ~ 753 ft) |
| DORI Distance (Observe) | 28.8 m ~ 91.8 m (94.5 ft ~ 301.2 ft) |
| DORI Distance (Recognize) | 14.4 m ~ 45.9 m (47.2 ft ~ 150.6 ft) |
| DORI Distance (Identify) | 7.2 m ~ 23 m (23.6 ft ~ 75.3 ft) |
| Illuminator | |
| Illumination Distance (Warm Light) | 15 m (49.3 ft) |
| Light On/Off Control | Auto/Manual |
| Illumination Distance (IR) | 50 m (164.0 ft) |
| Wavelength | 850 nm |
| Video | |
| Video Compression | Ultra 265, H.265, H.264, MJPEG |
| Frame Rate | Main Stream: 5MP (2880*1620), Max 30fps Sub Stream: 720P (1280*720), Max 30fps |
| Video Bit Rate | 128 Kbps to 16 Mbps |
| U-code | Support |
| ROI | Support |
| Video Stream | Dual Streams |
| Privacy Mask | Up to 4 areas |
| OSD | Up to 4 OSDs |
| Events | |
| Basic Detection | Motion Detection, Tampering Alarm, Audio Detection |

| | |
|----------------------------|--|
| General Function | Watermark, IP Address Filtering, Access Policy, ARP Protection, RTSP Authentication, User Authentication |
| Audio | |
| Audio Compression | G.711U, G.711A |
| Audio Bitrate | 128 Kbps |
| Two-way Audio | Support |
| Suppression | Support |
| Sampling Rate | 16KHZ |
| Storage | |
| Edge Storage | Micro SD, up to 512 GB |
| Network Storage | ANR, NAS (NFS) |
| Intelligent | |
| Auto Tracking | Support, target filtering: human only |
| Smart Intrusion Prevention | Cross line detection, intrusion detection (support false alarm filtering and the classification of human and vehicle) |
| Network | |
| Protocols | TLS1.3, SSH, IGMP, RTP, RTCP, SMTP, IPv4, IPv6, ICMP, ARP, TCP, UDP, DHCP, PPPoE, RTSP, RTMP, DNS, DDNS, NTP, FTP, UPnP, HTTP, HTTPS, 802.1x, SNMP, QoS, SSL/TLS |
| Compatible Integration | ONVIF (Profile S, Profile G, Profile T, Profile M), SDK, API |
| Security | Password Protection, Strong Password, HTTPS Encryption, Export Operation Logs, Basic and Digest Authentication for RTSP, Digest Authentication for HTTP, TLS 1.2, WSSE and Digest Authentication for ONVIF |
| Client | EZStation, UNV-Link, UNV-Link Pro |
| Web Browser | Plug-in required live view: IE 10 and above, Chrome 45 and above, Firefox 52 and above, Edge 79 and above |
| Image | |
| White Balance | Auto, Outdoor, Fine Tune, Sodium Lamp, Locked, Auto2 |
| Digital Noise Reduction | 2D/3D DNR |
| Flip | Normal, Flip Vertical, Flip Horizontal, 180° |
| HLC | Support |
| BLC | Support |
| Smart IR | Support |
| Defog | Digital Defog |
| PTZ | |
| Number of Presets | 1024 |
| Preset Patrol | 16 patrols, up to 64 presets for each patrol |
| Patrol Stay Time | 120 s to 1800 s |
| Home Position | Support |
| Pan Range | 0° ~ 345° |
| Pan Speed | 1°/s ~ 40°/s |
| Tilt Range | -10° ~ 100° |
| Tilt Speed | 1°/s ~ 30°/s |

| Interface | |
|---------------------|---|
| Audio I/O | 1 Input: impedance 1 k Ω , amplitude 2.5 V [p-p], 1 Output: impedance 600 Ω , amplitude 2.5 V [p-p] |
| Alarm I/O | 1/1 |
| Built-in Mic | Support |
| Built-in Speaker | Support |
| Network | 1 \times RJ45 10 M/100 M Base-TX Ethernet |
| Certification | |
| EMC | CE-EMC (EN 55032: 2015+A11: 2020+A1: 2020, EN 50130-4: 2011+A1: 2014, EN 61000-3-3: 2013+A1: 2019+A2: 2021, EN IEC 61000-3-2: 2019+A1: 2021) |
| Safety | CE LVD (EN 62368-1: 2020+A11: 2020) UL (UL 62368-1, 2nd Ed., Issue Date: 2014-12-01) |
| Environment | CE-ROHS (2011/65/EU;(EU)2015/863) |
| Protection | IP66 (IEC 60529:1989+AMD1:1999+AMD2:2013) |
| General | |
| Power | DC12V(\pm 25%), PoE(IEEE 802.3at) |
| Power Consumption | 18W |
| Power Interface | \varnothing 5.5 mm coaxial power plug |
| Dimensions | 133 x 185 x 286 mm (\varnothing 5.2" x 7.3" x 11.3") (L x W x H) |
| Weight | 788g |
| Working Environment | -30 $^{\circ}$ C to 60 $^{\circ}$ C (-22 $^{\circ}$ F to 140 $^{\circ}$ F), Humidity: \leq 95% RH (non-condensing) |
| Storage Environment | -40 $^{\circ}$ C to 70 $^{\circ}$ C (-40 $^{\circ}$ F to 158 $^{\circ}$ F), Humidity: \leq 95% RH (non-condensing) |
| Surge Protection | 2 KV |
| Reset Button | Support |
| Web Client Language | 22 Languages: Traditional Chinese, English, Simplified Chinese, Polish, German, Russian, French, Korean, Dutch, Czech, Portuguese (Europe), Portuguese (Brazil), Japanese, Thai, Turkish, Spanish (Latin America), Spanish (Europe), Hungarian, Italian, Vietnamese, Arabic, Slovak |
| Heater | Support |

Dimensions



Accessories

TR-JB07-D-IN

Bullet Junction Box(Support wiring from behind)



TR-A01-IN

NPT 3/4" Waterproof Cable Gland



TR-CM06-D

Alarm Ball Machine Hoisting Bracket



TR-UP06-C-IN

Pole Mounting Bracket for Bullet Junction Box Only



TR-UC08-C

Bullet&Dome Corner Mounting Bracket



TR-UP06-B-IN

Bullet Pole Mounting Bracket



Zhejiang Uniview Technologies Co., Ltd.

No. 369, Xietong Road, Xixing Sub-district, Binjiang District, Hangzhou City, 310051, Zhejiang Province, China

Email: overseasbusiness@uniview.com; globalsupport@uniview.com

<http://www.uniview.com>

©2024-2025 Zhejiang Uniview Technologies Co., Ltd. All rights reserved.

*Product specifications and availability are subject to change without notice.

*Despite our best efforts, technical or typographical errors may exist in this document. Uniview cannot be held responsible for any such errors and reserves the right to change the contents of this document without prior notice.