

4MP Vandal-resistant Network IR Fixed Dome Camera

EC-D4F28M-V3



Key Features



- High quality image with 4MP, 1/2.9"CMOS sensor
- 4MP (2560*1440)@20fps; 3MP (2304*1296)@30/25fps; 2MP (1920*1080)@30/25fps; 720P (1280*720)@30/25fps
- Ultra 265, H.265, H.264, MJPEG
- Smart IR, up to 30m (98ft) IR distance
- Support 128 G Micro SD card
- Support PoE power supply
- 3-Axis

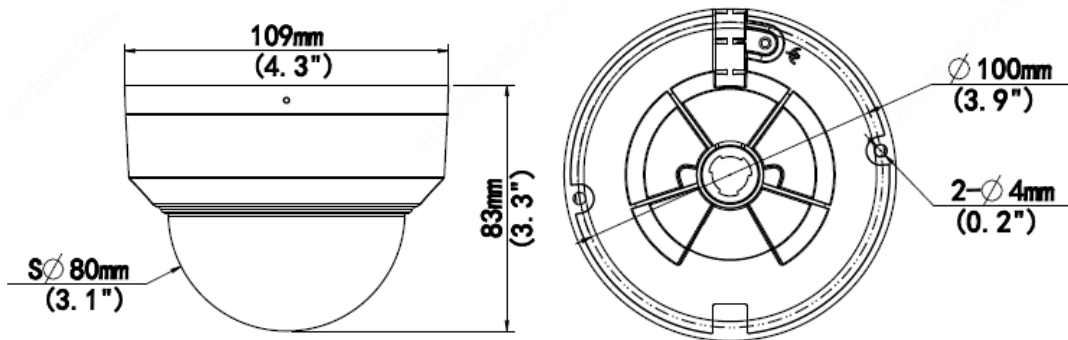
Specifications

	EC-D4F28M-V3				
Camera					
Sensor	1/2.9", progressive scan, 4.0 megapixel, CMOS				
Minimum Illumination	Colour: 0.01 lux (F2.0, AGC ON) 0 lux with IR				
Day/Night	IR-cut filter with auto switch (ICR)				
Shutter	Auto/Manual, 1 ~ 1/100000s				
Adjustment angle	Pan 8° to 360°	Tilt: 0° to 68°		Rotate: 10° to 360°	
S/N	>52dB				
WDR	120dB				
Lens					
Lens Type	2.8mm @F2.0				
Iris	Fixed				
Field of View (H)	101.5°				
Field of View (V)	55.6°				
Field of View (D)	111.6°				
DORI					
DORI Distance	Lens (mm)	Detect (m)	Observe (m)	Recognize (m)	Identify (m)
	2.8	63.0	25.2	12.6	6.3
Illuminator					
IR Range	Up to 30m (98ft)				
Wavelength	850nm				
IR On/Off Control	Auto/Manual				
Video					
Video Compression	Ultra 265, H.265, H.264, MJPEG				
H.264 code profile	Baseline profile, Main profile, High profile				
Frame Rate	Main Stream: 4MP (2560*1440), Max 20fps; 3MP (2304*1296), Max 30fps; 1080P (1920*1080), Max 30fps; 720P (1280*720), Max 30fps Sub Stream: D1 (720*576), Max 30fps; 640*360, Max 30fps; 2CIF(704*288), Max 30fps; CIF(352*288), Max 30fps;				
Video Bit Rate	128 Kbps~6144 kbps				
U-code	Support				
OSD	Up to 4 OSDs				
Privacy Mask	Up to 4 areas				
ROI	Up to 8 areas				
Video stream	Dual streams				
Image					
White Balance	Auto/Outdoor/Fine Tune/Sodium Lamp/Locked/Auto2				
Digital noise reduction	2D/3D DNR				
Smart IR	Support				
Flip	Normal/Vertical/Horizontal/180°/90°Clockwise/90°Anti-clockwise				
Dewarping	N/A				
HLC	Support				

BLC	Support
Defog	Digital Defog
Events	
Basic Detection	Motion detection, Tampering alarm, Audio detection, Cross line and Intrusion
General Function	Watermark, IP address filtering, Access policy, ARP protection, RTSP authentication, User authentication, HTTP authentication
Storage	
Edge Storage	Micro SD, up to 128GB
Network Storage	ANR, NAS(NFS)
Network	
Protocols	IPv4, IGMP, ICMP, ARP, TCP, UDP, DHCP, RTP, RTSP, RTCP, RTMP, DNS, DDNS, NTP, FTP, UPnP, HTTP, HTTPS, SMTP, QoS, SSL/TLS, SNMP
Compatible Integration	ONVIF (Profile S, Profile G, Profile T), API , SDK
User/Host	Up to 32 users. 2 user levels: administrator and common user
Security	Password protection, Strong password, HTTPS encryption, Export operation logs, Basic and digest authentication for RTSP, Digest authentication for HTTP, TLS 1.2, WSSE and digest authentication for ONVIF
Client	EZStation EZView EZLive
Web Browser	Plug-in required live view: IE 10 and above, Chrome 45 and above, Firefox 52 and above, Edge 79 and above
	Plug-in free live view: Chrome 57.0 and above, Firefox 58.0 and above, Edge 16 and above
Interface	
Audio I/O	N/A
Alarm I/O	N/A
Serial Port	N/A
Built-in Mic	Support
Built-in Speaker	N/A
WIFI	N/A
Network	1 * RJ45 10M/100M Base-TX Ethernet
Video Output	N/A
Certification	
EMC	CE-EMC (EN 55032,EN 61000-3-3,EN IEC 61000-3-2,EN 55035) FCC (FCC 47 CFR part15 B)
Safety	CE LVD (EN 62368-1) CB (IEC 62368-1) UL/CUL (UL 62368-1, CAN/CSA C22.2 No. 62368-1)
Environment	CE-RoHS (2011/65/EU;(EU)2015/863); WEEE (2012/19/EU)
Protection	IP67 (IEC 60529) IK10 (IEC 62262)
General	
Power	DC 12V±25%, PoE (IEEE 802.3af)
	Power consumption: Max 4.0W
Power Interface	Ø 5.5mm coaxial power plug
Dimensions (Ø x H)	Φ109 x 83mm (Ø4.3" x 3.3")
Weight	0.36kg (0.79lb)

Material	Metal + Plastic
Working Environment	-30°C ~ 60°C (-22°F ~ 140°F), Humidity: ≤95% RH (non-condensing)
Storage Environment	-30°C ~ 60°C (-22°F ~ 140°F), Humidity: ≤95% RH (non-condensing)
Surge Protection	4KV
Reset Button	N/A

Dimensions

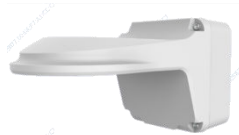


Accessories

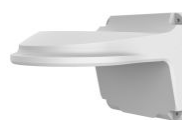
TR-JB03-G-IN
Junction Box



TR-JB07/WM03-G-IN
Wall Mount



TR-WM03-D-IN
Wall Mount



TR-UM06-E-IN
ceiling Ceiling Mount



TR-UP06-IN
Pole Mount



TR-A01-IN
Waterproof Joint



TR-SE24-IN
Pendant Mount



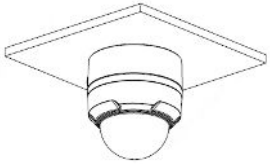
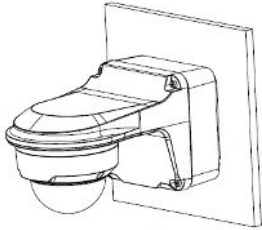
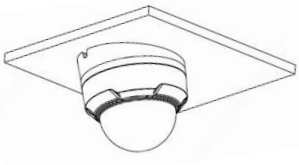
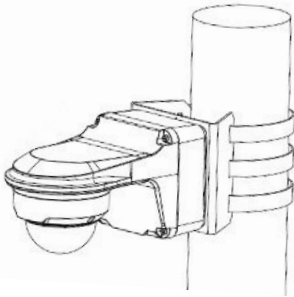
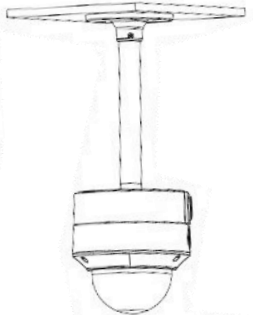
TR-SE24-A-IN
Pendant Mount



TR-CM24-IN

Pendant Mount



Junction Mount	Pole Mount
TR-JB03-G-IN	TR-JB07/WM03-G-IN
	
TR-UM06-E-IN	TR-JB07/WM03-G-IN+TR-UP06-IN
	
TR-CM24-IN+TR-JB03-G-IN	
	

Zhejiang Uniview Technologies Co., Ltd.

Building No. 369, Xietong Road, Xixing Sub-district, Binjiang District, Hangzhou City, Zhejiang Province, China (310051)

Email: overseasbusiness@uniview.com; globalsupport@uniview.com

<http://www.uniview.com>

©2023 Zhejiang Uniview Technologies Co., Ltd. All rights reserved.

*Product specifications and availability are subject to change without notice.