

5MP LightHunter PoC Fixed IR Dome Analog Camera

UAC-D125-APF28M



Introduction

UAC-D125-APF28M is a 5MP LightHunter PoC fixed IR dome analog camera with a high-performance 1/2.7-inch CMOS sensor. It supports TVI/AHD/CVI/CVBS, which effectively enhances product adaptability and diversity of networking solutions. With SYV-75-3 or other coaxial cable types, the camera can achieve low-cost, long-distance, and anti-interference mega-pixel HD video transmission without time delay. In addition, the PoC power supply system can achieve video and power transmission on one cable, simplifying wiring and installation work, and improving structural flexibility. It supports IR-cut filter with auto-switch (ICR) and provides color images at daytime and black/white images at night. The camera also supports audio input and synchronous transmission of audio and video.

Features

* Coaxial cables are recommended for video signal transmission, such as SYV-75-3, SYV-75-5, or RG59 cables.

* To achieve power supply on the coaxial cable, please use the camera with our PoC series XVRs.

- High quality imaging with 5MP resolution
- TVI/AHD/CVI/CVBS
- Supports IR-cut filter with auto-switch (ICR)
- LightHunter monitoring with high-sensitivity sensor
- Supports 180° horizontal/vertical flip
- OSD configuration menu, easy to operate
- Water and dust resistant (IP67) and vandal-resistant (IK10)
- OSD configuration menu in 11 languages
- Built-in microphone for high quality audio transmission via coaxial cables

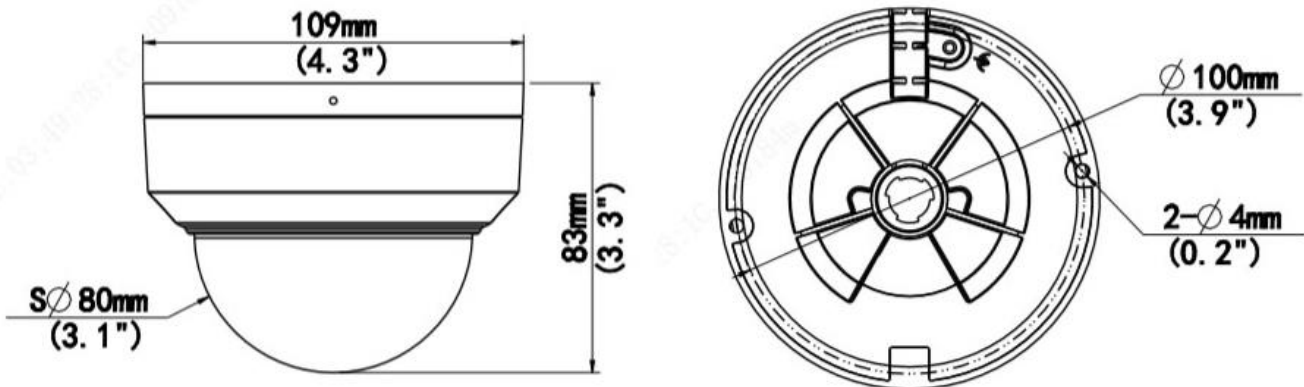
- 3-Axis
- Support PoC power supply

Specifications

Model	UAC-D125-APF28M
Sensor	
Pixel	5MP
Size	1/2.7"
Minimum illumination	0.005 lux (F1.6, AGC ON) 0 lux (IR on)
Lens	
Lens	2.8mm
Lens mount	M12
Angle of view	H: 109.1° V: 60.9° D: 126.7°
Illuminator	
Illuminator	One IR illuminator
Illumination distance	30m
Lifetime	≥60,000 hours
Video	
Resolution	5MP@25fps: 2880(H)×1620(V); 5MP@20fps: 2592(H)×1944(V); 5MP@12.5fps: 2592(H)×1944(V) 4MP: 2560(H)×1440(V) 1080P: 1920(H)×1080(V)
Frame rate	TVI: 5MP@20fps (default), 5MP@12.5fps, 4MP@30fps, 4MP@25fps, 1080P@30fps, 1080P@25fps AHD: 5MP@20fps, 4MP@30fps, 4MP@25fps, 1080P@30fps, 1080P@25fps CVI: 5MP@25fps, 4MP@30fps, 4MP@25fps, 1080P@30fps, 1080P@25fps CVBS: PAL, NTSC
Shutter time	PAL: 1/25s-1/50000s NTSC: 1/30s-1/50000s
Image	
Exposure mode	Four modes: Global (default), BLC, HLC, DWDR
Day/Night	Three modes: Auto (default), Day, Night
Noise reduction	2D
White balance	Two modes: Auto (default), Manual
WDR	DWDR
Smart IR	Support
Flip	Supports 180° horizontal flip, 180° vertical flip
Audio	
Microphone	Built-in Mic
Camera audio	TVI: 5MP@20fps, 5MP@12.5fps, 4MP@30fps, 4MP@25fps, 1080P@30fps, 1080P@25fps CVI: 5MP@25fps, 4MP@30fps, 4MP@25fps * Audio function of the POC series camera is only available when the camera is used with our PoC series XVRs.
Interface	
Power	5.5mm power interface
Video output	BNC, supports TVI/AHD/CVI/CVBS

Operating environment	
Temperature	-30°C to 60°C (-22°F to 140°F)
Humidity	≤95% (RH, non-condensing)
Surge protection	4kV
General	
Power	DC 12V(±25%)/PoC, with reverse polarity protection, Max 3.3W
Mount	Surface mount (default), optional tilted mounting bracket
Dimensions	Φ109mm*83mm (diameter*height)
Material	Metal
Weight	390g (0.86lb)
OSD menu language	11 Languages English, German, Spanish(Latin America), French, Italian, Japanese, Korean, Polish, Portuguese(Brazil), Russian, Turkish
Certification	
EMC	CE-EMC (EN 55032,EN 61000-3-3,EN IEC 61000-3-2,EN 55035) FCC (FCC 47 CFR part15 B)
Safety	CE-LVD (EN 62368-1)
Environment	CE-RoHS (2011/65/EU;(EU)2015/863); WEEE (2012/19/EU)
Protection	IP67 (IEC 60529) IK10 (IEC 62262)

Dimensions



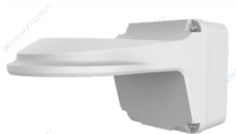
UAC-D125-APF28M

Accessories

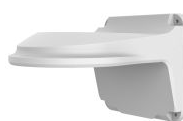
TR-JB03-G-IN
Junction Box



TR-JB07/WM03-G-IN
Wall Mount



TR-WM03-D-IN
Wall Mount



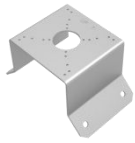
TR-UP06-IN
Pole Mount



TR-A01-IN
Waterproof Joint



TR-UC08-C
Corner Mount



TR-UM06-E-IN
Tilted Mount



TR-CM24-IN
Pendant Mount



TR-SE24-IN
Pendant Mount



TR-SE24-A-IN
Pendant Mount



PWR-DC1201A-IND
Wall Plug-in IND
Power Adapter



PWR-DC1201A-UK,
PWR-DC1201B-UK
Wall Plug-in UK
Power Adapter

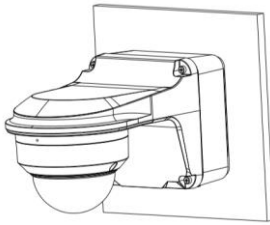
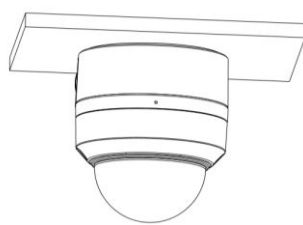
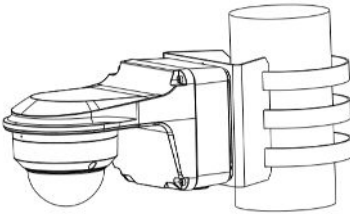
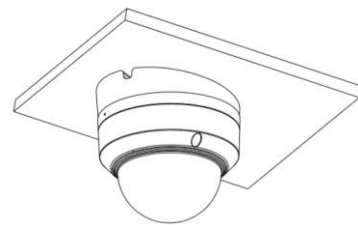
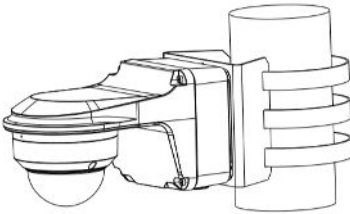
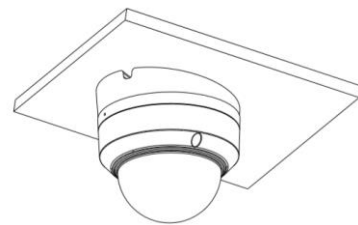


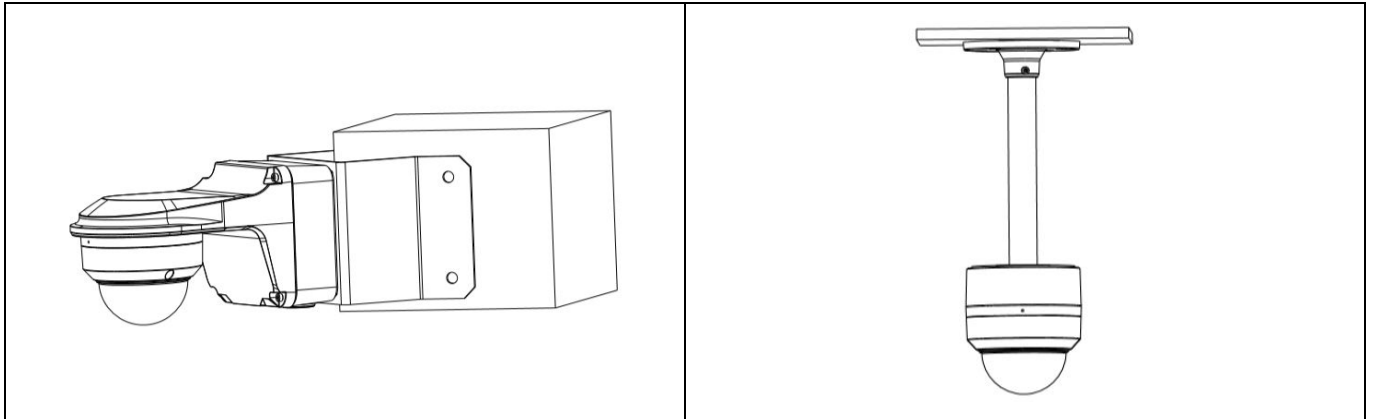
PWR-DC1201A-US,
PWR-DC1201B-US
Wall Plug-in US
Power Adapter



PWR-DC1201A-EU,
PWR-DC1201B-EU
Wall Plug-in EU
Power Adapter



Mount	
TR-JB07/WM03-G-IN 	TR-JB03-G-IN 
TR-JB07/WM03-G-IN(TR-WM03-D-IN)+TR-UP06-IN 	TR-UM06-E-IN 
TR-JB07/WM03-G-IN(TR-WM03-D-IN)+TR-UC08-C 	TR-CM24-IN+TR-JB03-G-IN 



Zhejiang Uniview Technologies Co., Ltd.

Building No. 369, Xietong Road, Xixing Sub-district, Binjiang District, Hangzhou City, Zhejiang Province, China (310051)

Email: overseasbusiness@uniview.com; globalsupport@uniview.com

<https://www.uniview.com>

©2023 Zhejiang Uniview Technologies Co., Ltd. All rights reserved.

*Product specifications and availability are subject to change without notice.