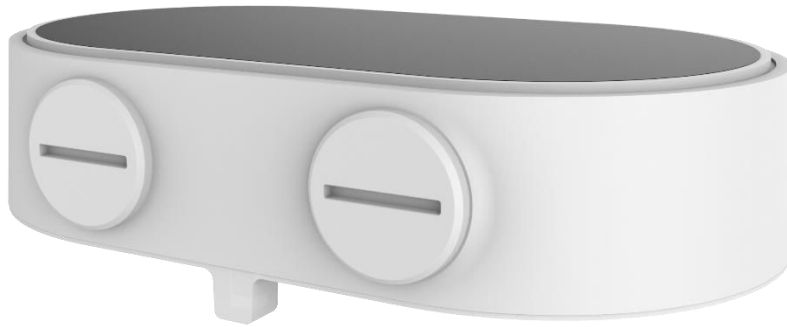


# Dual-channel Dome Junction Box

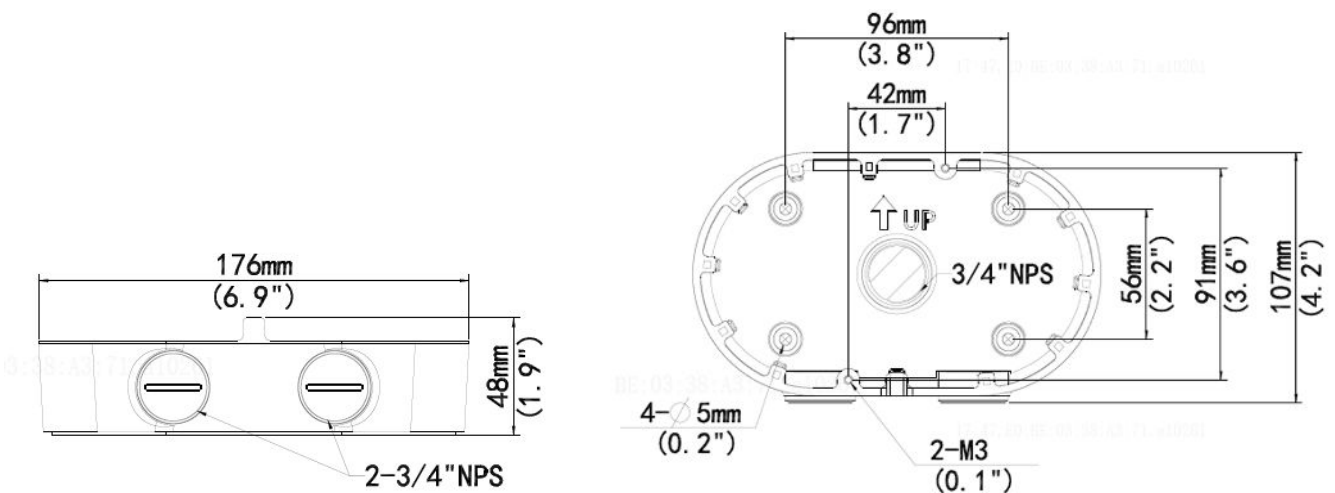
TR-JB08



## Specifications

|             |   |
|-------------|---|
| Bracket     | TR-JB08   |
| Application | Junction box for IPC322XSS Series Dual-channel Dome |
| Dimensions  | Φ176mm x 107mm x 48mm (6.9" x 4.2" x 1.9")          |
| Weight      | 0.24kg(0.53lb)                                      |
| Material    | Aluminum alloy                                      |

## Dimensions



Zhejiang Uniview Technologies Co., Ltd.

Building No. 369, Xietong Road, Xixing Sub-district, Binjiang District, Hangzhou City, Zhejiang Province, China (310051)

Email: [overseasbusiness@uniview.com](mailto:overseasbusiness@uniview.com); [globalsupport@uniview.com](mailto:globalsupport@uniview.com)

<http://www.uniview.com>

©2023 Zhejiang Uniview Technologies Co., Ltd. All rights reserved.

\*Product specifications and availability are subject to change without notice.