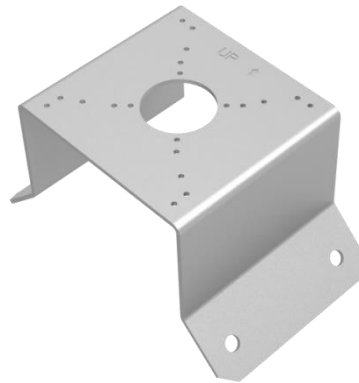


Bullet&Dome Corner Mounting Bracket

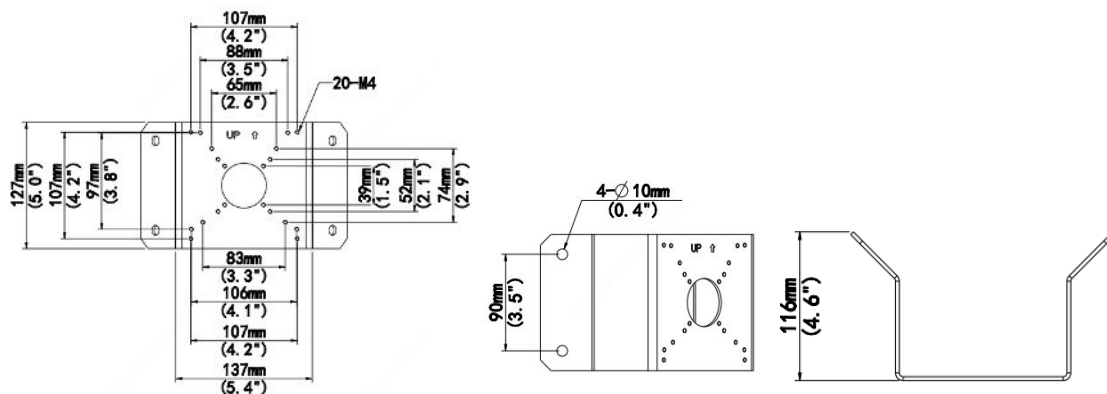
TR-UC08-C



Specifications

Bracket	TR-UC08-C
Application	Corner installation
Dimensions(L × W × H)	137mmx127mmx116mm(5.4" × 5.0"× 4.6")
Weight	0.42kg(0.93lb)
Material	Aluminum alloy

Dimensions



Zhejiang Uniview Technologies Co.,Ltd.

South Tower, Building 10, Wanlun Science Park, 88 Jiangling Road, Hangzhou, P.R.China 310051

Email: overseasbusiness@uniview.com; globalsupport@uniview.com

<http://www.uniview.com>

©2022 Zhejiang Uniview Technologies Co.,Ltd. All rights reserved.

*Product specifications and availability are subject to change without notice.