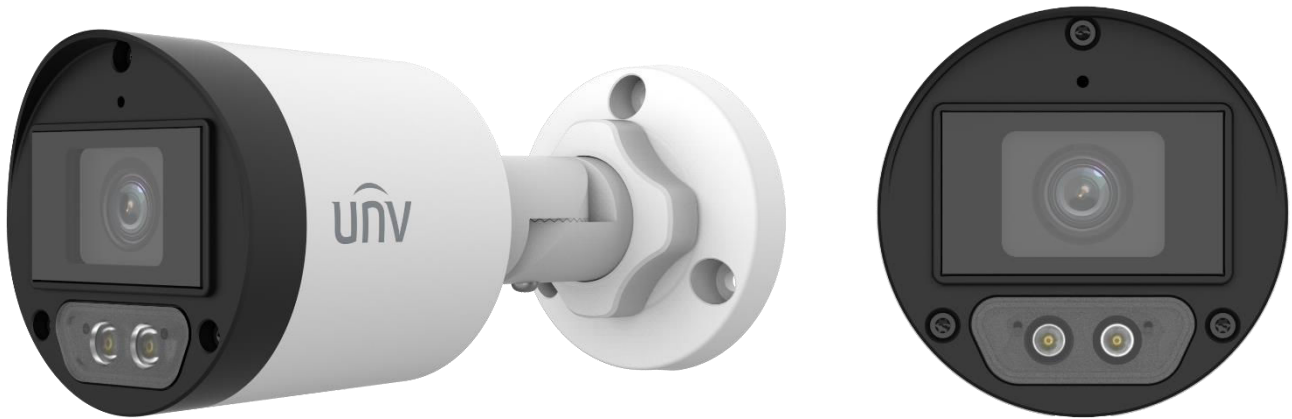


2MP ColorHunter HD Fixed Mini Bullet Analog Camera

UAC-B122-AF28(40)M-W



Introduction

UAC-B122-AF28(40)M-W is a 2MP ColorHunter HD fixed mini bullet analog camera with a high-performance 1/2.9-inch CMOS sensor. It supports TVI/AHD/CVI/CVBS, which effectively enhances product adaptability and diversity of networking solutions. With SYV-75-3 or other coaxial cable types, the camera can achieve low-cost, long-distance, and anti-interference mega-pixel HD video transmission without time delay. It supports audio input, synchronous transmission of audio and video, and provides 24/7 color images.

Features

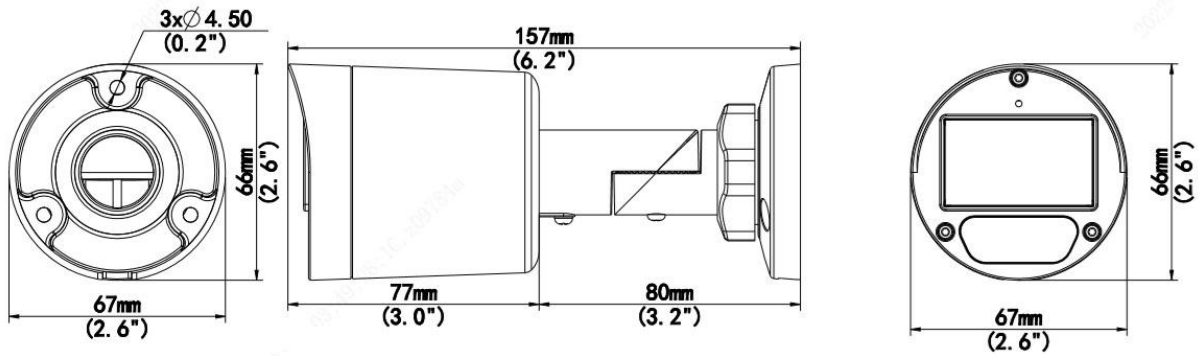
- 2MP high quality imaging
- TVI/AHD/CVI/CVBS
- Supports white light illumination, 24/7 color images
- Supports 180° horizontal flip, 180° vertical flip
- OSD configuration menu, easy to operate
- IP67 waterproof and dustproof design, high reliability
- OSD configuration menu in 11 languages
- Built-in microphone for high quality audio transmission via coaxial cables
- Supports digital defog
- Metal front face and housing

Specifications

Model	UAC-B122-AF28M-W	UAC-B122-AF40M-W
Sensor		
Pixel	2MP	
Size	1/2.9"	
Minimum illumination	0.005 lux (F1.6, AGC ON) 0 lux (white light on)	
Lens		
Lens	2.8mm	4.0mm
Lens mount	M12	
Angle of view	H: 101.5° V: 56.9° D: 117.4°	H: 83.8° V: 42.7° D: 100.1°
Illuminator		
Illuminator	Two white-light illuminators	
Illumination distance	40m	
Lifetime	≥60,000 hours	
Video		
Resolution	1080P: 1920(H)×1080(V) 720P: 1280(H) ×720(V)	
Frame rate	TVI/AHD/CVI: 1080P@25fps (default), 1080P@30fps; 720P@25fps, 720P@30fps CVBS: PAL, NTSC	
Shutter time	PAL: 1/25s-1/50000s NTSC: 1/30s-1/50000s	
Image		
Exposure mode	Four modes: Global (default), BLC, HLC, DWDR	
Day/Night	24/7 color images	
Digital noise reduction	2D/3D	
White balance	Two modes: Auto (default), Manual	
WDR	DWDR	
Flip	Supports 180° horizontal flip, 180° vertical flip	
Defog	Digital Defog	
Audio		
Microphone	Built-in Mic	
Camera audio	TVI: 1080P@25fps, 1080P@30fps CVI: 1080P@25fps, 1080P@30fps	
Interface		
Power	5.5mm power interface	
Video output	BNC, supports TVI/AHD/CVI/CVBS	
Operating environment		
Temperature	-30°C to 60°C (-22°F to 140°F)	
Humidity	≤95% (RH, non-condensing)	
Surge protection	4kV	
Ingress protection	IP67	
General		
Power	DC 12V (±25%), with reverse polarity protection, Max 3.12W	

Mount	3D bracket supplied, surface mount (default), optional junction box
Dimensions	157.4mm*66.5mm*66.5mm (L*W*H)
Material	Metal
Weight	279g (0.62lb)
Certification	CB, CE, FCC, UL

Dimensions



UAC-B122-AF28(40)M-W

Accessories

TR-JB05-B-IN

Junction Box



TR-JB06-IN

Junction Box



TR-UP06-C-IN

Pole Mount



TR-A01-IN

Waterproof Joint



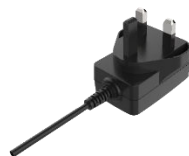
TR-UC08-C

Corner Mount



PWR-DC1201A-UK

Wall Plug-in UK Power Adapter



PWR-DC1201A-US

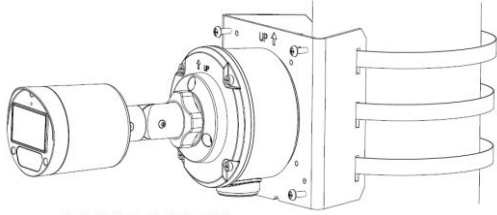
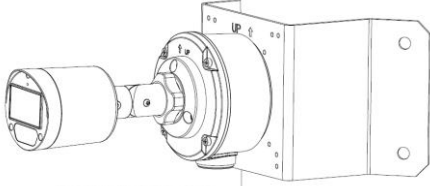
Wall Plug-in US Power Adapter



PWR-DC1201A-EU

Wall Plug-in EU Power Adapter



Mount	
TR-JB05-B-IN(TR-JB06-IN)+TR-UP06-C-IN	TR-JB05-B-IN(TR-JB06-IN)+ TR-UC08-C
	

Zhejiang Uniview Technologies Co., Ltd.

Building No. 369, Xietong Road, Xixing Sub-district, Binjiang District, Hangzhou City, Zhejiang Province, China (310051)

 Email: overseasbusiness@uniview.com; globalsupport@uniview.com
<https://www.uniview.com>

©2023 Zhejiang Uniview Technologies Co., Ltd. All rights reserved.

*Product specifications and availability are subject to change without notice.