

2MP 16x LightHunter Network PTZ Dome Camera

IPC6412LR-X16-VG



Key Features



- High quality image with 2MP, 1/2.8" CMOS sensor
- 1920*1080@30fps in the main stream
- Ultra 265, H.265, H.264, MJPEG
- 16X optical zoom allows for closer viewing of subjects
- LightHunter technology ensures ultra-high image quality in low illumination environment
- Smart IR, up to 100m (328ft) IR distance
- Micro SD, up to 256GB
- DC 12V±25% or PoE+ (IEEE 802.3at)
- IP66 ingress protection

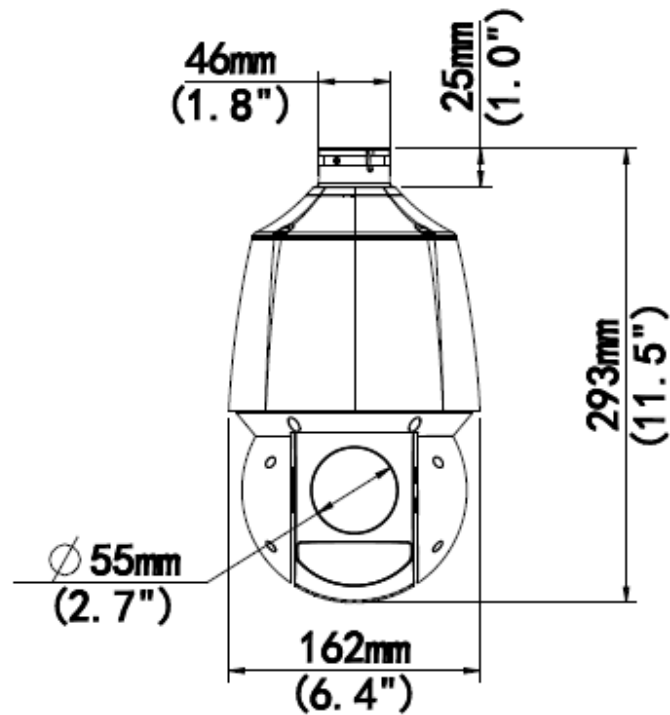
Specifications

| | | | | | |
|-------------------------|---|-------------------|------------------|-----------------|-----------------|
| Camera | IPC6412LR-X16-VG | | | | |
| Sensor | 1/2.8", 2.0 megapixel, progressive scan, CMOS | | | | |
| Min. Illumination | Colour: 0.003 Lux (F1.7, AGC ON) 0 Lux with IR | | | | |
| Day/Night | IR-cut filter with auto switch (ICR) | | | | |
| Shutter | Auto/Manual, 1 ~ 1/100000s | | | | |
| WDR | 120dB | | | | |
| S/N | >52dB | | | | |
| Lens | | | | | |
| Lens type | 5 - 80mm, AF automatic focusing and motorized zoom lens | | | | |
| Optical Zoom | 16 | | | | |
| Iris | F1.7(W) - F2.8(T) | | | | |
| Field of View (H) | 51.70° ~ 4.89° | | | | |
| Field of View (V) | 30.49° ~ 2.75° | | | | |
| Field of View (D) | 63.59° ~ 5.77° | | | | |
| DORI | | | | | |
| DORI Distance | Lens (mm) | Detect (m) | Observe (m) | Recognize (m) | Identify (m) |
| | 5 | 77.6 (254.5ft) | 31.0 (101.8ft) | 15.5 (50.9ft) | 7.8 (25.5ft) |
| | 80 | 1241.4 (4072.8ft) | 496.6 (1629.1ft) | 248.3 (814.6ft) | 124.1 (407.3ft) |
| Illuminator | | | | | |
| IR Range | Up to 100m (328 ft) IR range | | | | |
| Wavelength | 850nm | | | | |
| IR On/Off Control | Auto/Manual | | | | |
| Video | | | | | |
| Video Compression | Ultra 265, H.265, H.264, MJPEG | | | | |
| Frame Rate | Main Stream: 2MP(1920*1080), Max 30fps; Sub Stream: 720P(1280*720), Max 30fps; Third Stream: D1 (720*576), Max 30fps; | | | | |
| Video Bit Rate | 128 Kbps~16 Mbps | | | | |
| U-code | Support | | | | |
| ROI | Support | | | | |
| Video Stream | Triple streams | | | | |
| OSD | Up to 8 OSDs | | | | |
| Privacy Mask | 24 areas, up to 4 areas per scene | | | | |
| Image | | | | | |
| White Balance | Auto/Outdoor/Fine Tune/Sodium Lamp/Locked/Auto2 | | | | |
| Digital Noise Reduction | 2D/3D DNR | | | | |
| Smart IR | Support | | | | |
| Flip | Normal/Flip Vertical/Flip Horizontal/180°/90°Clockwise/90°Anti-clockwise | | | | |
| HLC | Support | | | | |
| BLC | Support | | | | |
| Defog | Digital Defog | | | | |
| Events | | | | | |

| | |
|------------------------|--|
| Basic Detection | Motion detection, Tampering Alarm |
| Auto Tracking | Support |
| General Function | Watermark, IP Address Filtering, Access Policy, ARP Protection, RTSP Authentication, User Authentication |
| Storage | |
| Edge Storage | Micro SD, up to 256 GB |
| Network Storage | ANR, NAS(NFS) |
| Network | |
| Protocols | IPv4, IGMP, ICMP, ARP, TCP, UDP, DHCP, PPPoE, RTP, RTSP, RTCP, DNS, DDNS, NTP, FTP, UPnP, HTTP, HTTPS, SMTP, 802.1x, SNMP, QoS, RTMP, SSL/TLS |
| Compatible Integration | ONVIF (Profile S, Profile G, Profile T), API, SDK |
| User/Host | Up to 32 users. 3 user levels: administrator, operator and common user |
| Security | Password protection, Strong password, HTTPS encryption, Export operation logs, Basic and digest authentication for RTSP, Digest authentication for HTTP, TLS 1.2, WSSE and digest authentication for ONVIF |
| Client | EZStation EZLive EZView |
| Web Browser | Plug-in required live view: IE 10 and above, Chrome 45 and above, Firefox 52 and above, Edge 79 and above |
| Pan & Tilt | |
| Pan Range | 360° (endless) |
| Pan Speed | 0.1°/s ~ 80°/s |
| | Preset speed: 80°/s |
| Tilt Range | -15° ~ 90° (auto reverse) |
| Tilt Speed | 0.1°/s ~ 80°/s |
| | Preset speed: 80°/s |
| Number of Presets | 1024 |
| Preset Patrol | 16 patrols, up to 64 presets for each patrol |
| Route Patrol | 16 patrols, up to 32 actions for each patrol |
| Recorded Patrol | 16 patrols, up to 128 actions for each patrol |
| Patrol Stay Time | 15s ~ 1800s |
| Preset Image Freeze | N/A |
| Home Position | Support |
| Interface | |
| Audio I/O | N/A |
| Alarm I/O | N/A |
| Serial Port | N/A |
| Built-in Mic | N/A |
| Built-in Speaker | N/A |
| WIFI | N/A |
| Network | 1 * RJ45 10M/100M Base-TX Ethernet |
| Video Output | N/A |
| Certification | |
| EMC | CE-EMC (EN 55032:2015+A11:2020+A1:2020, EN 61000-3-3:2013+A1:2019+A2:2021, EN IEC 61000-3-2: 2019+A1: 2021, EN 55035: 2017+A11:2020) FCC (47 CFR Part 15, Subpart B, ANSI C63.4-2014) |
| Safety | CE LVD (EN 62368-1:2014+A11:2017) CB (IEC 62368-1:2014) UL (UL 62368-1, 2nd Ed., Issue Date: 2014-12-01) |

| | |
|---------------------|---|
| Environment | CE-RoHS (2011/65/EU;(EU)2015/863) |
| Protection | IP66 (IEC 60529:1989+AMD1:1999+AMD2:2013) |
| General | |
| Power | DC12V(±25%,3A), PoE+(IEEE 802.3at) |
| | Power consumption: MAX 20W |
| Power Interface | Ø 5.5mm coaxial power plug |
| Dimensions (Ø x H) | Ø162 x 293mm (Ø6.4" x 11.5") |
| Weight | 1.79kg (3.95lb) |
| Working Environment | -40°C ~ 65°C(-40°F ~ 149°F), Humidity: ≤95% RH (non-condensing) |
| Storage Environment | -40°C ~ 70°C(-40°F ~ 158°F), Humidity: ≤95% RH (non-condensing) |
| Surge Protection | 6KV |
| Reset Button | Support |

Dimensions



Accessories

Included

TR-WE45-IN
Wall Mount



Optional

TR-CE45-IN
Pendent Mount



TR-SE45-IN
Pendent Mount



TR-WE45-A-IN
Wall Mount



TR-UP08-A-IN/TR-UP08-B-IN
Pole Mount



TR-UF45-A-IN
Pendent Mount



TR-UC08-A-IN/ TR-UC08-B-IN
Corner Mount



TR-JB12-IN
Junction Box



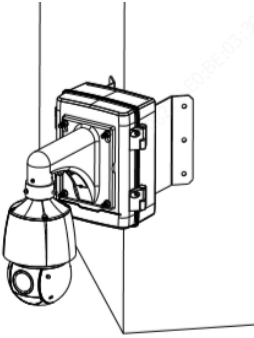
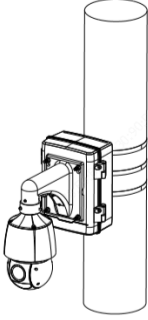
TR-WE45-B-IN
Wall Mount



TR-SE45-A-IN
Pendent Mount



| Pendent Mount (Indoor Use) | Wall Mount |
|----------------------------|---------------------------|
| TR-CE45-IN | TR-WE45-IN / TR-WE45-A-IN |
| | |

| Corner Mount | Pole Mount |
|---|---|
| TR-UC08-A-IN + TR-JB12-IN + TR-WE45-IN | TR-UP08-A-IN + TR-JB12-IN + TR-WE45-IN |
|  |  |

Zhejiang Uniview Technologies Co., Ltd.

Building No.10, Wanlun Science Park, Jiangling Road 88, Binjiang District, Hangzhou, Zhejiang, China (310051)

Email: overseasbusiness@uniview.com; globalsupport@uniview.com

<http://www.uniview.com>

©2022 Zhejiang Uniview Technologies Co., Ltd. All rights reserved.

*Product specifications and availability are subject to change without notice