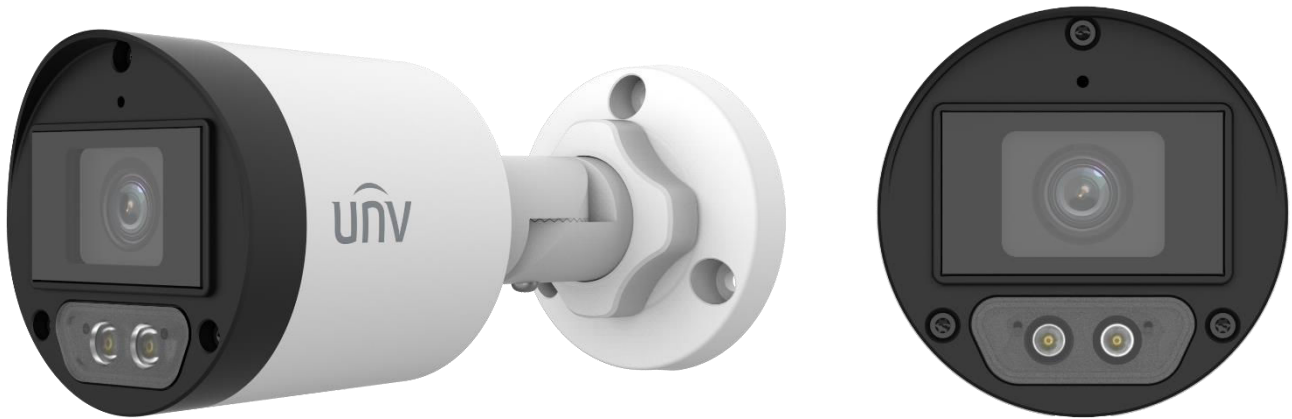


2MP ColorHunter HD Fixed Mini Bullet Analog Camera

UAC-B122-AF28(40)M-W



Introduction

UAC-B122-AF28(40)M-W is a 2MP ColorHunter HD fixed mini bullet analog camera with a high-performance 1/2.9-inch CMOS sensor. It supports TVI/AHD/CVI/CVBS, which effectively enhances product adaptability and diversity of networking solutions. With SYV-75-3 or other coaxial cable types, the camera can achieve low-cost, long-distance, and anti-interference mega-pixel HD video transmission without time delay. It supports audio input, synchronous transmission of audio and video, and provides 24/7 color images.

Features

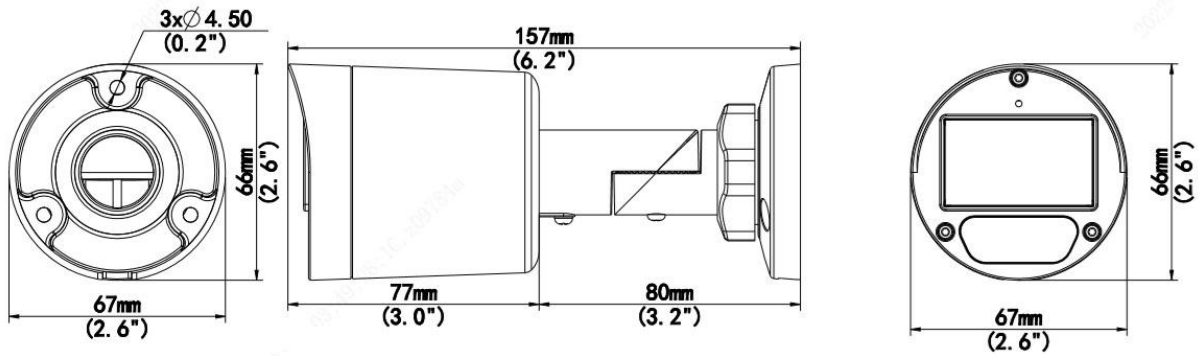
- 2MP high quality imaging
- TVI/AHD/CVI/CVBS
- Supports white light illumination, 24/7 color images
- Supports 180° horizontal flip, 180° vertical flip
- OSD configuration menu, easy to operate
- IP67 waterproof and dustproof design, high reliability
- OSD configuration menu in 11 languages
- Built-in microphone for high quality audio transmission via coaxial cables
- Supports digital defog
- Metal front face and housing

Specifications

| Model | UAC-B122-AF28M-W | UAC-B122-AF40M-W |
|------------------------------|--|-----------------------------|
| Sensor | | |
| Pixel | 2MP | |
| Size | 1/2.9" | |
| Minimum illumination | 0.005 lux (F1.6, AGC ON) 0 lux (white light on) | |
| Lens | | |
| Lens | 2.8mm | 4.0mm |
| Lens mount | M12 | |
| Angle of view | H: 101.5° V: 56.9° D: 117.4° | H: 83.8° V: 42.7° D: 100.1° |
| Illuminator | | |
| Illuminator | Two white-light illuminators | |
| Illumination distance | 40m | |
| Lifetime | ≥60,000 hours | |
| Video | | |
| Resolution | 1080P: 1920(H)×1080(V) 720P: 1280(H) ×720(V) | |
| Frame rate | TVI/AHD/CVI: 1080P@25fps (default), 1080P@30fps; 720P@25fps, 720P@30fps CVBS: PAL, NTSC | |
| Shutter time | PAL: 1/25s-1/50000s NTSC: 1/30s-1/50000s | |
| Image | | |
| Exposure mode | Four modes: Global (default), BLC, HLC, DWDR | |
| Day/Night | 24/7 color images | |
| Digital noise reduction | 2D/3D | |
| White balance | Two modes: Auto (default), Manual | |
| WDR | DWDR | |
| Flip | Supports 180° horizontal flip, 180° vertical flip | |
| Defog | Digital Defog | |
| Audio | | |
| Microphone | Built-in Mic | |
| Camera audio | TVI: 1080P@25fps, 1080P@30fps CVI: 1080P@25fps, 1080P@30fps | |
| Interface | | |
| Power | 5.5mm power interface | |
| Video output | BNC, supports TVI/AHD/CVI/CVBS | |
| Operating environment | | |
| Temperature | -30°C to 60°C (-22°F to 140°F) | |
| Humidity | ≤95% (RH, non-condensing) | |
| Surge protection | 4kV | |
| Ingress protection | IP67 | |
| General | | |
| Power | DC 12V (±25%), with reverse polarity protection, Max 3.12W | |

| | |
|---------------|---|
| Mount | 3D bracket supplied, surface mount (default), optional junction box |
| Dimensions | 157.4mm*66.5mm*66.5mm (L*W*H) |
| Material | Metal |
| Weight | 279g (0.62lb) |
| Certification | CB, CE, FCC, UL |

Dimensions



UAC-B122-AF28(40)M-W

Accessories

TR-JB05-B-IN

Junction Box



TR-JB06-IN

Junction Box



TR-UP06-C-IN

Pole Mount



TR-A01-IN

Waterproof Joint



TR-UC08-C

Corner Mount



PWR-DC1201A-UK

Wall Plug-in UK Power Adapter



PWR-DC1201A-US

Wall Plug-in US Power Adapter



PWR-DC1201A-EU

Wall Plug-in EU Power Adapter



| Mount | |
|---------------------------------------|-------------------------------------|
| TR-JB05-B-IN(TR-JB06-IN)+TR-UP06-C-IN | TR-JB05-B-IN(TR-JB06-IN)+ TR-UC08-C |
| | |

Zhejiang Uniview Technologies Co., Ltd.

Building No. 369, Xietong Road, Xixing Sub-district, Binjiang District, Hangzhou City, Zhejiang Province, China (310051)

Email: overseasbusiness@uniview.com; globalsupport@uniview.com

<https://www.uniview.com>

©2023 Zhejiang Uniview Technologies Co., Ltd. All rights reserved.

*Product specifications and availability are subject to change without notice.