

Network Video Recorder

NVR816 Series



Key Features

- Support Ultra 265/H.265/H.264 video formats
- 64/128-channel input
- Support mainstream cameras of ONVIF conformance(Profile S, Profile G, Profile T) and RTSP protocols
- Support 2-ch HDMI, 1-ch VGA, HDMI at up to 4K(3840x2160) resolution
- HDMI1, HDMI2 and VGA independent outputs provided
- Up to 12 Megapixels resolution recording
- Redundant power supply optional
- Support HDD hot swap with RAID 0, 1, 5, 6, 10, 50, 60 storage scheme configurable
- 16 SATA HDDs, up to 16TB for each HDD
- Support 2 miniSAS Interfaces
- Support 12V power output
- ANR technology to enhance the storage reliability when the network is disconnected
- Support cloud upgrade
- Support N+1 Hot spare

Specifications

Model	NVR816-64	NVR816-128
Video/Audio Input		
IP Video Input	64-ch	128-ch
Two-way Audio Input	1-ch, RCA	
Network		
Incoming Bandwidth	512Mbps	
Outgoing Bandwidth	512Mbps	
Remote Users	128	
Protocols	TCP/IP, P2P, UPnP, NTP, DHCP, PPPoE, HTTP, HTTPS, DNS, DDNS, SNMP, SMTP, NFS	
Browser	IE(IE10/11) for Windows Firefox (version 52.0 and above) for Windows Chrome(version 45 and above) for Windows Edge(version 79 and above) for Windows	
Video/Audio Output		
HDMI/VGA Output	VGA: 1920x1080p/60Hz, 1920x1080p/50Hz, 1600x1200/60Hz, 1280x1024/60Hz, 1280x720/60Hz, 1024x768/60Hz HDMI1/HDMI2: 4K (3840x2160)/30Hz, 1920x1080p/60Hz, 1920x1080p/50Hz, 1600x1200/60Hz, 1280x1024/60Hz, 1280x720/60Hz, 1024x768/60Hz	
Recording Resolution	12MP/8MP/6MP/5MP/4MP/3MP/1080p/960p/720p/D1/2CIF/CIF	
Audio Output	1-ch, RCA	
Audio Compression	G.711A, G.711U	
Synchronous Playback	16-ch	
Live View Display	VGA: 1/4/6/8/9/16/25/36 HDMI1, HDMI2: 1/4/6/8/9/16/25/36/64	
Corridor Mode Screen	3/4/5/7/9/10/12/16/32	
Snapshot		
FTP/Schedule/Event Snapshot	64-ch snapshot, up to 4K resolution	128-ch snapshot, up to 4K resolution
Decoding		
Decoding Format	Ultra 265, H.265, H.264	
Live View/Playback	12MP/8MP/6MP/5MP/4MP/3MP/1080p/960p/720p/D1/2CIF/CIF	
Capability	3 x 12MP@25, 4 x 4K@30, 16 x 1080P@30, 32 x 960P@25, 36 x 720P@30, 64 x D1	
Hard Disk		
SATA	16 SATA interfaces	
Capacity	up to 16TB for each HDD (The maximum HDD capacity varies with environment temperature)	
Extension board	2	
miniSAS	2 miniSAS ports	
eSATA	1 eSATA interface	
Disk Group	Support	
Disk Array Type	RAID 0, 1, 5, 6, 10, 50, 60	

Smart

VCA Detection by IPC	Intrusion Detection, Cross Line Detection, Enter Area, Leave Area, Defocus Detection, Scene Change Detection, Object Left Behind, Object Removed, Auto Tracking, Vehicle Control, Temperature Detection(Fire Detection, Smoking Detection, Temperature Measurement, Smoke and Fire Detection), Ultra Motion Detection(UMD), Video Metadata, Traffic Monitoring
VCA Search	Motor Vehicle Search, Non-Motor Vehicle Search, Human Body Search, General Search, Search by Image, People Counting Report
People Counting	People Flow Counting, Crowd Density Monitoring
Smart Intrusion Prevention (SIP), Vehicle Detection, Temperature Detection, UMD, Video Metadata, Traffic Monitoring by Camera	Total 64-ch
Face Picture Library	Up to 128 face picture libraries, with up to 500,000 face pictures in total

External Interface

Network Interface	4 RJ-45 10M/100M/1000M adaptive Ethernet Interface
USB Interface	Front panel: 2 x USB2.0, Rear panel: 2 x USB3.0
RS232	1
RS485	1
Alarm In	24-ch
Alarm Out	8-ch
Power Output	12V

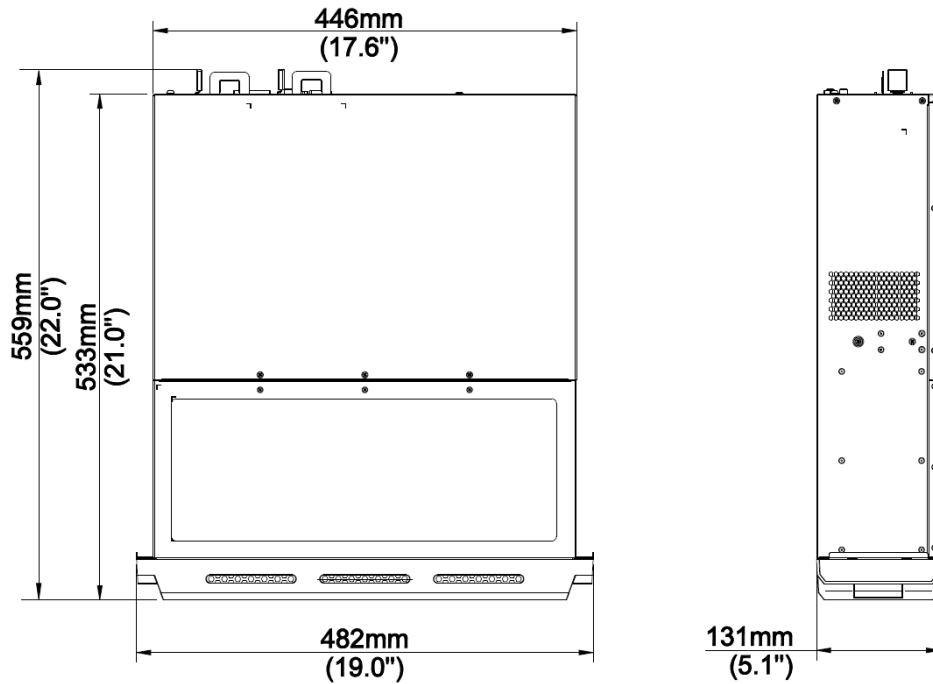
General

Power Supply	100 ~ 240V AC Power Consumption: ≤ 65 W (without HDD)
Working Environment	-10°C ~ + 55°C (+14°F ~ +131°F), Humidity ≤ 90% RH (non-condensing)
Dimensions	533mm × 482mm × 131.0mm (21.0" × 19.0" × 5.1")
Weight (without HDD)	≤ 12.5 Kg (27.56 lb)

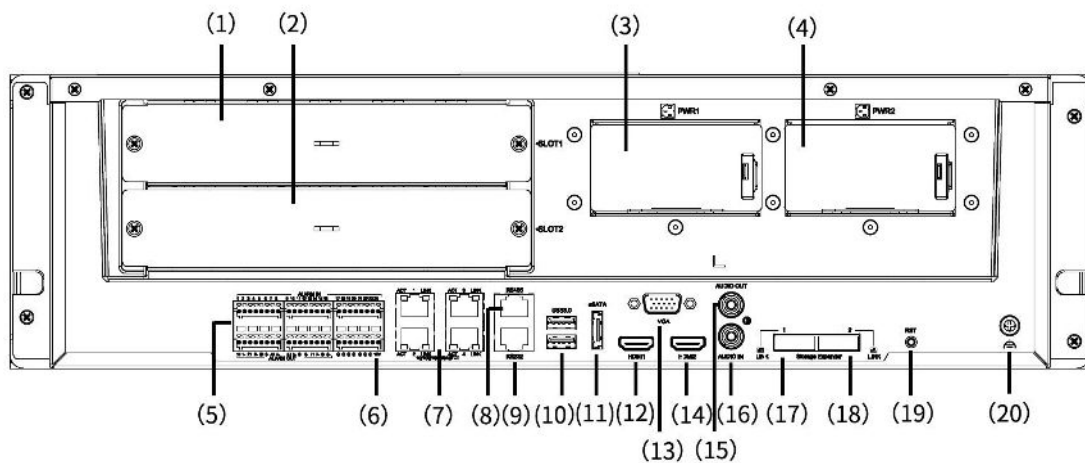
Certification

Certification	CE, FCC, UL, RoHS, WEEE
CE	EN 55032, EN 61000-3-3, EN IEC 61000-3-2, EN 55035
FCC	Part15 Subpart B

Dimensions



Rear Panel



(1) Slot1	(2) Slot2	(3) Power Supply 1
(4) Power Supply 2 (optional)	(5) Alarm In/Out	(6) 12V DC Output
(7) Network Interface	(8) RS485	(9) RS232

(10) USB3.0	(11) eSATA	(12) HDMI1 Output
(13) VGA Output	(14) HDMI2 Output	(15) Audio Output
(16) Audio Input	(17) miniSAS	(18) miniSAS
(19) RST	(20) GND	

Zhejiang Uniview Technologies Co., Ltd.

Building No.10, Wanlun Science Park, Jiangling Road 88, Binjiang District, Hangzhou, Zhejiang, China

Email: overseasbusiness@uniview.com; globalsupport@uniview.com

<http://sgcdn.uniview.com>

©2023 Zhejiang Uniview Technologies Co.,Ltd. All rights reserved.

* Product specifications and availability are subject to change without notice.