

SPEC ANY TECH. CONFIGURE YOUR FIT.

Hoods

PRO Hoods™ are simple shrouds that protect access control devices from the effects of mother nature (rain, sleet, snow, sun, etc.). Their depth and tapered sides also provide a degree of privacy (such as entering a code on a keypad) from onlookers nearby. With such a low cost, a hood is an inexpensive way for security consultants and system integrators to add an additional layer of protection in your physical security plan.

PRODUCT FEATURES

- Specify any access control device(s)
- Steel or stainless steel construction
- Black powder coat or brushed #4 finish
- Standard 3.5" D overhang, tapers down to 1.75" D
- Standard 4.5" W – 14" W available
- Standard 6" H – 14" H available
- Knockouts for easy installation
- Easily customizable
- Free custom CAD designs in 24 hours



Areas of Use

- Door Ingress/Egress
- Gate Ingress/Egress

QUICK FEATURE COMPARISON

| | Lockable Door | Qty of Devices | Mounting Style | Door Panel | Wiring | Customization |
|----------------|---------------|----------------|----------------|------------------------------|------------------------|--|
| HOODS | No | 1 | Surface only | None | Single Wire Pass | Unlimited dimensions |
| HOUSING | Yes | 1-4 | Surface/Flush* | Removable w/ Stainless hinge | Consolidate in Backbox | Factory Cutouts Available / Unlimited Dimensions |

*Flush mount requires "cutouts" per device

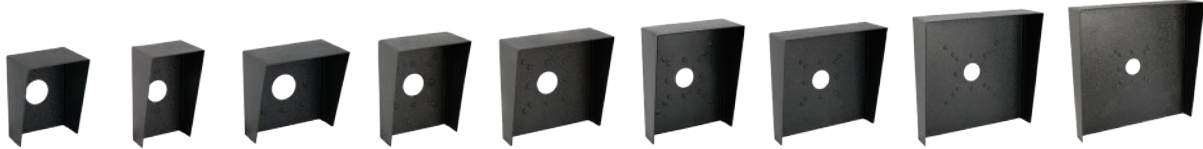
Universal Hoods

STAINLESS STEEL



HOOD-SS-04.5x6 HOOD-SS-04.5x8 HOOD-SS-06x6

CARBON STEEL



HOOD-CS-04.5x6 HOOD-CS-04.5x8 HOOD-CS-06x6 HOOD-CS-06x8 HOOD-CS-08x8 HOOD-CS-08x10 HOOD-CS-10x10 HOOD-CS-12x12 HOOD-CS-14x14

Device-Specific Hoods

STAINLESS STEEL



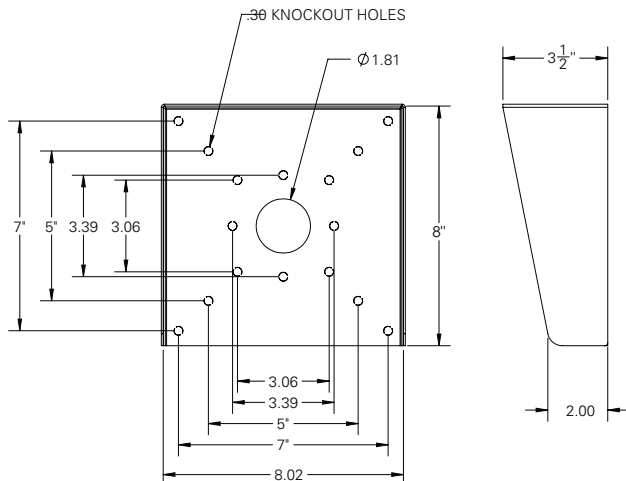
913HOO-BUT-001-304 1116HOO-BUT-001-304 1116HOO-BUT-002-304 1512HOO-BUT-001-304 1614HOO-BUT-001-304 1614HOO-BUT-002-304 2419HOO-BUT-001-304

CARBON STEEL



410HOO-OPEN-01-CRS 410HOO-OPEN-02-CRS

Technical Specs



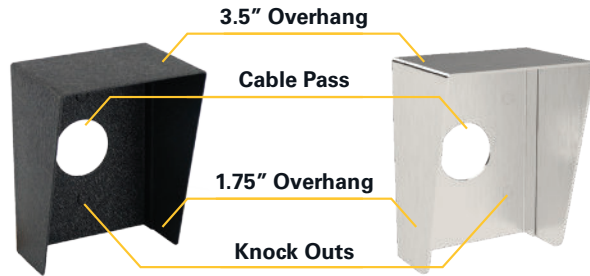
NEED MORE?



Scan the QR code to access downloadable PDF and DWG drawings available to registered architects and engineers at pedestalpro.com.

Hoods

Key Features



Build your own hood with additional features:



■ Exact Fit ■ No Min Qtys Required

Part Numbers

| Universal Hoods | Hgt | Wdth | Dpth | Wgt | Material | Finish | Description | Designed for OEM/Brand |
|-----------------------|-------|-------|-------|--------|---------------|-----------------------|------------------------|---------------------------|
| HOOD-CS-04.5x6 | 6" | 4.5" | 3.5" | 3 lbs | Carbon Stl | Blck Wrinkle Pwdrcoat | Hood, Portrait, 16 ga | Universal |
| HOOD-CS-04.5x8 | 8" | 4.5" | 3.5" | 3 lbs | Carbon Stl | Blck Wrinkle Pwdrcoat | Hood, Portrait, 16 ga | Universal |
| HOOD-CS-06x6 | 6" | 6" | 3.5" | 4 lbs | Carbon Stl | Blck Wrinkle Pwdrcoat | Hood, Square, 16 ga | Universal |
| HOOD-CS-06x8 | 8" | 6" | 3.5" | 5 lbs | Carbon Stl | Blck Wrinkle Pwdrcoat | Hood, Portrait, 16 ga | Universal |
| HOOD-CS-08x8 | 8" | 8" | 3.5" | 6 lbs | Carbon Stl | Blck Wrinkle Pwdrcoat | Hood, Square, 16 ga | Universal |
| HOOD-CS-08x10 | 10" | 8" | 3.5" | 7 lbs | Carbon Stl | Blck Wrinkle Pwdrcoat | Hood, Portrait, 16 ga | Universal |
| HOOD-CS-10x10 | 10" | 10" | 3.5" | 8 lbs | Carbon Stl | Blck Wrinkle Pwdrcoat | Hood, Square, 16 ga | Universal |
| HOOD-CS-12x12 | 12" | 12" | 3.5" | 9 lbs | Carbon Stl | Blck Wrinkle Pwdrcoat | Hood, Square, 16 ga | Universal |
| HOOD-CS-14x14 | 14" | 14" | 3.5" | 10 lbs | Carbon Stl | Blck Wrinkle Pwdrcoat | Hood, Square, 16 ga | Universal |
| HOOD-SS-4.5x6 | 6" | 4.5" | 3.5" | 3 lbs | 304 Stainless | Brushed #4 | Hood, Portrait, 16 ga | Universal |
| HOOD-SS-4.5x8 | 8" | 4.5" | 3.5" | 3 lbs | 304 Stainless | Brushed #4 | Hood, Portrait, 16 ga | Universal |
| HOOD-SS-6x6 | 6" | 6" | 3.5" | 4 lbs | 304 Stainless | Brushed #4 | Hood, Square, 16 ga | Universal |
| Device-Specific Hoods | Hgt | Wdth | Dpth | Wgt | Material | Finish | Description | Designed for OEM/Brand |
| 913HOOD-BUT-001-304 | 13" | 9" | 6" | 12 lbs | 304 Stainless | Brushed #4 | Hood, Portrait, 16 ga | ButterflyMX 7" Surface |
| 1116HOOD-BUT-001-304 | 16" | 11.5" | 3" | 10 lbs | 304 Stainless | Brushed #4 | Hood, Portrait, 16 ga | ButterflyMX 7" Surface |
| 1116HOOD-BUT-002-304 | 16" | 11.5" | 3" | 8 lbs | 304 Stainless | Brushed #4 | Hood, Portrait, 16 ga | ButterflyMX 7" Flush |
| 1512HOOD-BUT-001-304 | 12.5" | 15" | 6" | 12 lbs | 304 Stainless | Brushed #4 | Hood, Landscape, 16 ga | ButterflyMX 11.6" Surface |
| 1614HOOD-BUT-001-304 | 14" | 16" | 3" | 12 lbs | 304 Stainless | Brushed #4 | Hood, Landscape, 16 ga | ButterflyMX 11.6" Surface |
| 1614HOOD-BUT-002-304 | 14" | 16" | 3" | 10 lbs | 304 Stainless | Brushed #4 | Hood, Landscape, 16 ga | ButterflyMX 11.6" Flush |
| 2419HOOD-BUT-001-304 | 19" | 23.5" | 3" | 14 lbs | 304 Stainless | Brushed #4 | Hood, Landscape, 16 ga | ButterflyMX 21" Surface |
| 410HOOD-OPEN-01-CRS | 10" | 4.5" | 2.75" | 5 lbs | Carbon Stl | Blck Wrinkle Pwdrcoat | Hood, Portrait, 16 ga | OpenPath Truth |
| 410HOOD-OPEN-02-CRS | 8.5" | 4" | 2.75" | 5 lbs | Carbon Stl | Blck Wrinkle Pwdrcoat | Hood, Portrait, 16 ga | OpenPath Light |

Hood Options

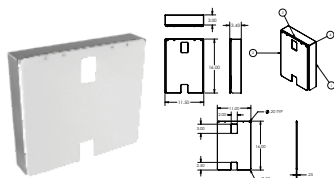
TECH INTEGRATION

Integrate intercoms, keypads, card readers, cameras and more from our vast device library representing over 35 OEM brands and 400+ devices. Our engineers are ready to incorporate your tech into our cabinets. We also offer in-house cooling fans, heaters, LED lighting, and weather shrouds solutions to meet all your tech integration needs.



FREE CUSTOM CAD

CAD engineers are free to use and on-call to create drawings specific to your project requirements. CAD designs are created within 24 hours.



EXPEDITED FABRICATION

| | |
|--------------|--------------------------------|
| 12 – 15 days | Standard, no additional charge |
| 10 – 11 days | 15% fee |
| 8 – 9 days | 25% fee |
| 6 – 7 days | 45% fee |
| 4 – 5 days | 65% fee |
| 2 – 3 days | 100% fee |

Business days exclude weekends and holidays, does not include shipping costs or timelines.

Product Categories



Why Pedestal PRO

CUSTOMIZATION ■ QUICKEST TURNAROUND ■ HIGHEST QUALITY

With more than 500,000 installations worldwide, including projects for Fortune 100 companies, Pedestal PRO manufactures unique mounting solutions to support consultants, integrators, and installers in the security industry.

Using the most precise device integration methods available, Pedestal PRO custom designs premium pedestals, housings, and mounts to accommodate any physical security device or technology specified by its customers.

Recommended readily-available materials, expedited production timelines, and on-time delivery ensures total satisfaction for every project, every time.

