

# SPEC ANY TECH. CONFIGURE YOUR FIT.

## Hoods

PRO Hoods™ are simple shrouds that protect access control devices from the effects of mother nature (rain, sleet, snow, sun, etc.). Their depth and tapered sides also provide a degree of privacy (such as entering a code on a keypad) from onlookers nearby. With such a low cost, a hood is an inexpensive way for security consultants and system integrators to add an additional layer of protection in your physical security plan.

### PRODUCT FEATURES

- Specify any access control device(s)
- Steel or stainless steel construction
- Black powder coat or brushed #4 finish
- Standard 3.5" D overhang, tapers down to 1.75" D
- Standard 4.5" W – 14" W available
- Standard 6" H – 14" H available
- Knockouts for easy installation
- Easily customizable
- Free custom CAD designs in 24 hours



### Areas of Use

- Door Ingress/Egress
- Gate Ingress/Egress

### QUICK FEATURE COMPARISON

	Lockable Door	Qty of Devices	Mounting Style	Door Panel	Wiring	Customization
<b>HOODS</b>	No	1	Surface only	None	Single Wire Pass	Unlimited dimensions
<b>HOUSING</b>	Yes	1-4	Surface/Flush*	Removable w/ Stainless hinge	Consolidate in Backbox	Factory Cutouts Available / Unlimited Dimensions

\*Flush mount requires "cutouts" per device

**Universal Hoods**

**STAINLESS STEEL**



HOOD-SS-04.5x6    HOOD-SS-04.5x8    HOOD-SS-06x6

**CARBON STEEL**



HOOD-CS-04.5x6    HOOD-CS-04.5x8    HOOD-CS-06x6    HOOD-CS-06x8    HOOD-CS-08x8    HOOD-CS-08x10    HOOD-CS-10x10    HOOD-CS-12x12    HOOD-CS-14x14

**Device-Specific Hoods**

**STAINLESS STEEL**



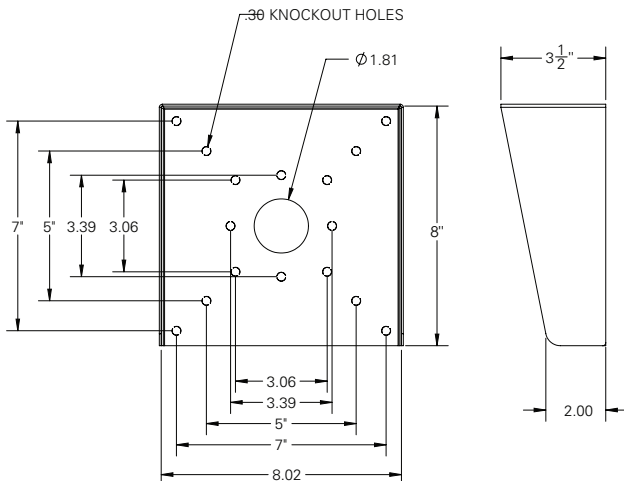
913HOO-BUT-001-304    1116HOO-BUT-001-304    1116HOO-BUT-002-304    1512HOO-BUT-001-304    1614HOO-BUT-001-304    1614HOO-BUT-002-304    2419HOO-BUT-001-304

**CARBON STEEL**



410HOO-OPEN-01-CRS    410HOO-OPEN-02-CRS

**Technical Specs**



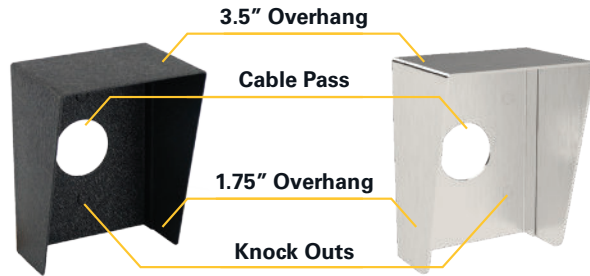
**NEED MORE?**



Scan the QR code to access downloadable PDF and DWG drawings available to registered architects and engineers at [pedestalpro.com](http://pedestalpro.com).

# Hoods

## Key Features



Build your own hood with additional features:



- Exact Fit
- No Min Qtys Required

## Part Numbers

Universal Hoods	Hgt	Wdth	Dpth	Wgt	Material	Finish	Description	Designed for OEM/Brand
HOOD-CS-04.5x6	6"	4.5"	3.5"	3 lbs	Carbon Stl	Blck Wrinkle Pwdrcoat	Hood, Portrait, 16 ga	Universal
HOOD-CS-04.5x8	8"	4.5"	3.5"	3 lbs	Carbon Stl	Blck Wrinkle Pwdrcoat	Hood, Portrait, 16 ga	Universal
HOOD-CS-06x6	6"	6"	3.5"	4 lbs	Carbon Stl	Blck Wrinkle Pwdrcoat	Hood, Square, 16 ga	Universal
HOOD-CS-06x8	8"	6"	3.5"	5 lbs	Carbon Stl	Blck Wrinkle Pwdrcoat	Hood, Portrait, 16 ga	Universal
HOOD-CS-08x8	8"	8"	3.5"	6 lbs	Carbon Stl	Blck Wrinkle Pwdrcoat	Hood, Square, 16 ga	Universal
HOOD-CS-08x10	10"	8"	3.5"	7 lbs	Carbon Stl	Blck Wrinkle Pwdrcoat	Hood, Portrait, 16 ga	Universal
HOOD-CS-10x10	10"	10"	3.5"	8 lbs	Carbon Stl	Blck Wrinkle Pwdrcoat	Hood, Square, 16 ga	Universal
HOOD-CS-12x12	12"	12"	3.5"	9 lbs	Carbon Stl	Blck Wrinkle Pwdrcoat	Hood, Square, 16 ga	Universal
HOOD-CS-14x14	14"	14"	3.5"	10 lbs	Carbon Stl	Blck Wrinkle Pwdrcoat	Hood, Square, 16 ga	Universal
HOOD-SS-4.5x6	6"	4.5"	3.5"	3 lbs	304 Stainless	Brushed #4	Hood, Portrait, 16 ga	Universal
HOOD-SS-4.5x8	8"	4.5"	3.5"	3 lbs	304 Stainless	Brushed #4	Hood, Portrait, 16 ga	Universal
HOOD-SS-6x6	6"	6"	3.5"	4 lbs	304 Stainless	Brushed #4	Hood, Square, 16 ga	Universal
Device-Specific Hoods	Hgt	Wdth	Dpth	Wgt	Material	Finish	Description	Designed for OEM/Brand
913HOOD-BUT-001-304	13"	9"	6"	12 lbs	304 Stainless	Brushed #4	Hood, Portrait, 16 ga	ButterflyMX 7" Surface
1116HOOD-BUT-001-304	16"	11.5"	3"	10 lbs	304 Stainless	Brushed #4	Hood, Portrait, 16 ga	ButterflyMX 7" Surface
1116HOOD-BUT-002-304	16"	11.5"	3"	8 lbs	304 Stainless	Brushed #4	Hood, Portrait, 16 ga	ButterflyMX 7" Flush
1512HOOD-BUT-001-304	12.5"	15"	6"	12 lbs	304 Stainless	Brushed #4	Hood, Landscape, 16 ga	ButterflyMX 11.6" Surface
1614HOOD-BUT-001-304	14"	16"	3"	12 lbs	304 Stainless	Brushed #4	Hood, Landscape, 16 ga	ButterflyMX 11.6" Surface
1614HOOD-BUT-002-304	14"	16"	3"	10 lbs	304 Stainless	Brushed #4	Hood, Landscape, 16 ga	ButterflyMX 11.6" Flush
2419HOOD-BUT-001-304	19"	23.5"	3"	14 lbs	304 Stainless	Brushed #4	Hood, Landscape, 16 ga	ButterflyMX 21" Surface
410HOOD-OPEN-01-CRS	10"	4.5"	2.75"	5 lbs	Carbon Stl	Blck Wrinkle Pwdrcoat	Hood, Portrait, 16 ga	OpenPath Truth
410HOOD-OPEN-02-CRS	8.5"	4"	2.75"	5 lbs	Carbon Stl	Blck Wrinkle Pwdrcoat	Hood, Portrait, 16 ga	OpenPath Light

## Hood Options

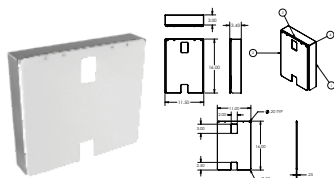
### TECH INTEGRATION

Integrate intercoms, keypads, card readers, cameras and more from our vast device library representing over 35 OEM brands and 400+ devices. Our engineers are ready to incorporate your tech into our cabinets. We also offer in-house cooling fans, heaters, LED lighting, and weather shrouds solutions to meet all your tech integration needs.



### FREE CUSTOM CAD

CAD engineers are free to use and on-call to create drawings specific to your project requirements. CAD designs are created within 24 hours.



### EXPEDITED FABRICATION

12 – 15 days	Standard, no additional charge
10 – 11 days	15% fee
8 – 9 days	25% fee
6 – 7 days	45% fee
4 – 5 days	65% fee
2 – 3 days	100% fee

*Business days exclude weekends and holidays, does not include shipping costs or timelines.*

## Product Categories



## Why Pedestal PRO

### CUSTOMIZATION ■ QUICKEST TURNAROUND ■ HIGHEST QUALITY

With more than 500,000 installations worldwide, including projects for Fortune 100 companies, Pedestal PRO manufactures unique mounting solutions to support consultants, integrators, and installers in the security industry.

Using the most precise device integration methods available, Pedestal PRO custom designs premium pedestals, housings, and mounts to accommodate any physical security device or technology specified by its customers.

Recommended readily-available materials, expedited production timelines, and on-time delivery ensures total satisfaction for every project, every time.

