

# SPEC ANY TECH. *Configure your fit.*

## Bollards

PRO Bollards™ are sleek, solid, architectural pedestals that integrate smaller tech combinations for flush and surface mount devices into a single stand. Great for lobbies and entryways. With a superior anchor solution they will withstand all the traffic and abuse your visitors can inflict. An excellent choice for security consultants and integrators around the world.

### PRODUCT FEATURES

- Specify any access control device(s)
- Attractive, modern architectural design
- Available in aluminum, carbon steel, or stainless steel
- Standard 2"-6" depth, up to 3"-8" widths available
- Removable "small, hand access" back panel
- Internal .25" base plate, "no wobble" superior anchoring
- No visible fasteners after installation
- Easily customizable
- Free custom CAD designs in 24 hours
- Fast installation process
- Made in the USA



### Areas of Use

- Multi-Tenant Units
- Premier Office & Lobby
- Gate Ingress/Egress

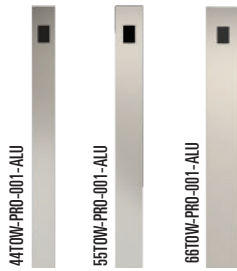
### QUICK FEATURE COMPARISON

|                 | Made from   | Removable back panel | Top             | Widths             | Customization                              |
|-----------------|-------------|----------------------|-----------------|--------------------|--|
| <b>BOLLARDS</b> | Metal tubes | Small hand access    | Flat or tapered | Limited 8" or less | Limited, dependent on tube mill dimensions |
| <b>CABINETS</b> | Sheet metal | Full access          | Flat            | Unlimited 8"+      | Unlimited & profile dimensions             |

## Square

## Round

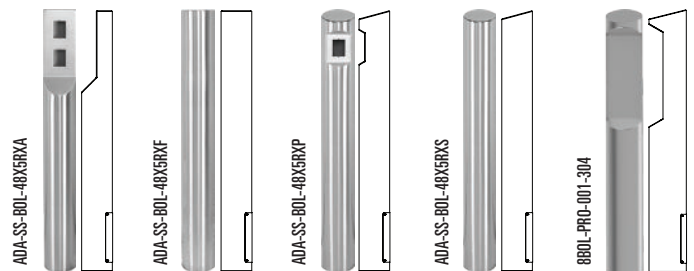
### ALUMINUM



### STAINLESS STEEL



### STAINLESS STEEL



## Rectangle

### ALUMINUM



### STAINLESS STEEL



### CARBON STEEL



### MATERIAL OPTIONS

- Carbon Steel
- #304 Stainless Steel
- #316 Stainless Steel
- Aluminum

### STAINLESS FINISH

- Brushed #4

### POWDERCOAT FINISHES

- STANDARD COLORS**
- Black Wrinkle
  - White
  - Safety Yellow

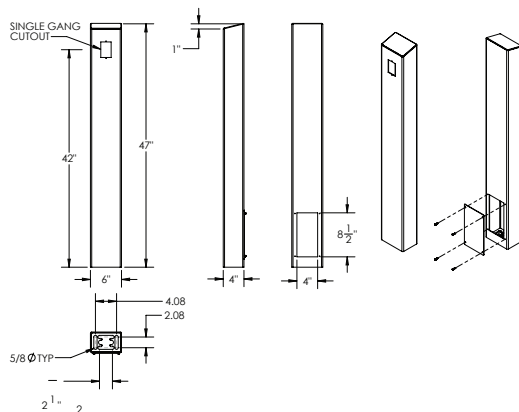
- READILY AVAILABLE METALLIC COLORS**
- Silver Sky Metallic\*
  - Oil-Rubbed Bronze\*
  - Anodized Aluminum\*
  - Nickel\*

### CUSTOM "RAL" COLORS AVAILABLE\*\*



\*short lead times and additional costs may apply  
\*\* additional costs and lead times apply

## Technical Specs



### NEED MORE?



Scan the QR code to access downloadable PDF and DWG drawings available to registered architects and engineers at [pedestalpro.com](http://pedestalpro.com).

## Accessories

### FAN



### HEATER



### LED



### L BOLT



### ANCHORS



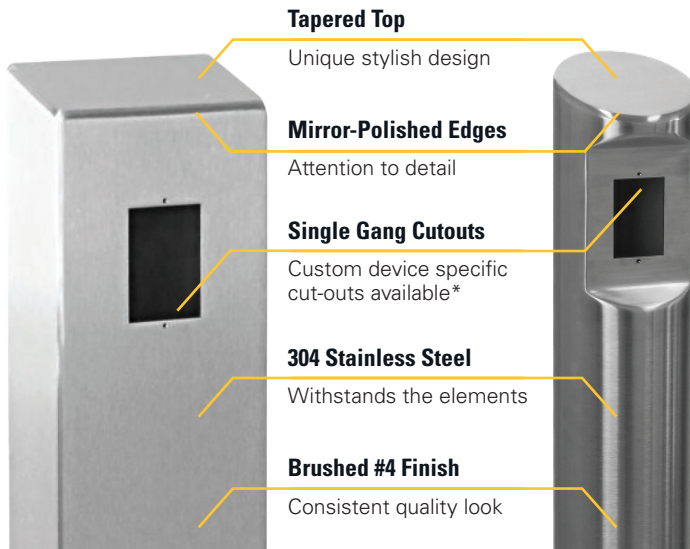
### SHIMS



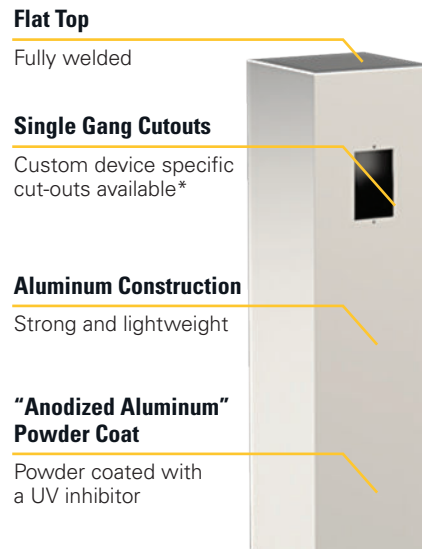
# Bollard Style Pedestals

## Key Features

### STAINLESS STEEL



### ALUMINUM



### ALL MODELS:

#### Removable Access Panel

Ease of installation



#### Hidden Fasteners

Contribute to the sleek design

## Part Numbers

| Rectangle Bollards  | Hgt | Wdth | Dpth | Wgt    | Material  | Finish                     | Description                       | Cutouts Included | Mnt Hgt    |
|---------------------|-----|------|------|--------|-----------|----------------------------|-----------------------------------|------------------|------------|
| ADA-CS-TWR-47x4x6   | 47" | 6'   | 4"   | 35 lbs | Carbn Stl | Powdercoat - Black Wrinkle | 47" Stl Twr, Arch, Blck           | Single Gang      | 42         |
| ADA-SS-TWR-47x4x6   | 47" | 6'   | 6"   | 35 lbs | 304 SS    | Brushed #4                 | 47" Stl Twr, Arch, Blck (6" face) | Single Gang      | 42         |
| ADA-SS-TWR-47x4x6-2 | 47" | 6'   | 6"   | 35 lbs | 304 SS    | Brushed #4                 | 47" Stl Twr, Arch, Blck (6" face) | 2 Single Gang    | 36, 42     |
| ADA-SS-TWR-47x4x6-2 | 47" | 6'   | 6"   | 35 lbs | 304 SS    | Brushed #4                 | 47" Stl Twr, Arch, Blck (6" face) | 3 Single Gang    | 36, 42     |
| ADA-SS-TWR-47x4x6-3 | 47" | 6'   | 6"   | 35 lbs | 304 SS    | Brushed #4                 | 47" Stl Twr, Arch, Blck (6" face) | Single Gang      | 29, 36, 42 |
| ADA-SS-TWR-47x4x8   | 47" | 6'   | 8"   | 75 lbs | 304 SS    | Brushed #4                 | 47" Stl Twr, Arch, Blck (8" face) | Single Gang      | 42         |
| ADA-SS-TWR-54x8x4Z  | 54" | 6'   | 8"   | 85 lbs | 304 SS    | Brushed #4                 | 47" Stl Twr, Arch, Blck (8" face) | Single Gang      | 48         |
| ADA-SS-TWR-60x4x6   | 60" | 6'   | 6"   | 45 lbs | 304 SS    | Brushed #4                 | 47" Stl Twr, Arch, Blck (6" face) | Single Gang      | 45         |
| ADA-SS-TWR-72x4x6   | 72" | 6'   | 6"   | 55 lbs | 304 SS    | Brushed #4                 | 47" Stl Twr, Arch, Blck (6" face) | Single Gang      | 66         |
| 64TOW-PRO-001-ALU   | 47" | 6'   | 6"   | 30 lbs | Alum      | Powdercoat "Anodized Alum" | 47" Stl Twr, Arch, Blck (6" face) | Single Gang      | 42         |
| 84TOW-PRO-001-ALU   | 47" | 6'   | 8"   | 30 lbs | Alum      | Powdercoat "Anodized Alum" | 47" Stl Twr, Arch, Blck (8" face) | Single Gang      | 42         |

| Square Bollards   | Hgt | Wdth | Dpth | Wgt    | Material | Finish                     | Description                     | Cutouts Included | Mnt Hgt |
|-------------------|-----|------|------|--------|----------|----------------------------|---------------------------------|------------------|---------|
| ADA-SS-TWR-47x4x4 | 47" | 4'   | 4"   | 29 lbs | 304 SS   | Brushed #4                 | 47" Stl Tower, Arch (4" face)   | 2 Single Gang    | 42      |
| ADA-SS-TWR-47x6x6 | 47" | 6'   | 6"   | 45 lbs | 304 SS   | Brushed #4                 | 47" Stl Tower, Arch (6" square) | Single Gang      | 42      |
| 44TOW-PRO-001-ALU | 47" | 4'   | 4"   | 20 lbs | Alum     | Powdercoat "Anodized Alum" | 47" Stl Tower, Arch (4" face)   | Single Gang      | 42      |
| 55TOW-PRO-001-ALU | 47" | 5'   | 5"   | 25 lbs | Alum     | Powdercoat "Anodized Alum" | 47" Stl Tower, Arch (5" face)   | Single Gang      | 42      |
| 66TOW-PRO-001-ALU | 47" | 6'   | 6"   | 35 lbs | Alum     | Powdercoat "Anodized Alum" | 47" Stl Tower, Arch (6" face)   | Single Gang      | 42      |

| Round Bollards     | Hgt | Wdth | Dpth | Wgt    | Material | Finish     | Description                               | Cutouts Included            | Mnt Hgt    |
|--------------------|-----|------|------|--------|----------|------------|---|-----------------------------|------------|
| ADA-SS-BOL-48X5RXA | 48" | 5'   | 5"   | 35 lbs | 304 SS   | Brushed #4 | 48" Stl Bollard, Arch (flat top)          | Single Gang                 | 38.5, 43.5 |
| ADA-SS-BOL-48X5RXF | 48" | 5'   | 5"   | 35 lbs | 304 SS   | Brushed #4 | 48" Stl Bollard, Arch (flat top)          | None (cutouts can be added) | -          |
| ADA-SS-BOL-48X5RXP | 48" | 5'   | 5"   | 35 lbs | 304 SS   | Brushed #4 | 48" Stl Bollard, Arch, Blck (slanted top) | Single Gang                 | 40.5       |
| ADA-SS-BOL-48X5RXS | 48" | 5'   | 5"   | 35 lbs | 304 SS   | Brushed #4 | 48" Stl Bollard, Arch, Blck (slanted top) | None (cutouts can be added) | -          |
| 8BOL-PRO-001-304   | 56" | 8'   | 8"   | 79 lbs | 304 SS   | Brushed #4 | 56" Stl Bollard, Arch, Blck (8" round)    | None (cutouts can be added) | -          |

| Accessories     | Description  | Accessories     | Description                                      |
|-----------------|--|-----------------|--|
| ACC-FAN-001-304 | Pedestal Cooling Fan (12 VDC/2amp power supply included)         | STUD-ANCHOR-625 | 5/8" Stud Anchor Kit (for existing construction) |
| ACC-LED-001     | Pedestal LED Light Kit (12 VDC/2amp power supply included)       | L-BOLT-625      | 5/8" L-Bolt Mounting Kit (for new construction)  |
| ACC-HEA-001-304 | Pedestal Heater Kit 250W (Fits bollard dimensions 4x4 or larger) | Shim-Kit-001    | Leveling Shim Kit: 1/16", 1/8", 1/4" (2 each)    |

## Bollard Options

### TECH INTEGRATION

Integrate intercoms, keypads, card readers, cameras and more from our vast device library representing over 35 OEM brands and 400+ devices. Our engineers are ready to incorporate your tech into our bollards. We also offer in-house cooling fans, heaters, LED lighting, and weather shrouds solutions to meet all your tech integration needs.



### FREE CUSTOM CAD

CAD engineers are free to use and on-call to create drawings specific to your project requirements. CAD designs are created within 24 hours.



### EXPEDITED FABRICATION

|              |                                |
|--------------|--------------------------------|
| 12 – 15 days | Standard, no additional charge |
| 10 – 11 days | 15% fee                        |
| 8 – 9 days   | 25% fee                        |
| 6 – 7 days   | 45% fee                        |
| 4 – 5 days   | 65% fee                        |
| 2 – 3 days   | 100% fee                       |

*Business days exclude weekends and holidays, does not include shipping costs or timelines.*

## Product Categories



EV Charging Stands



Emergency Call Towers



Custom Camera Mounts



Bollards



Cabinets



Goosenecks



Housings



Hoods



Accessories

## Why Pedestal PRO

### CUSTOMIZATION ■ QUICKEST TURNAROUND ■ HIGHEST QUALITY

With more than 500,000 installations worldwide, including projects for Fortune 100 companies, Pedestal PRO manufactures unique mounting solutions to support consultants, integrators, and installers in the security industry.

Using the most precise device integration methods available, Pedestal PRO custom designs premium pedestals, housings, and mounts to accommodate any physical security device or technology specified by its customers.

Recommended readily-available materials, expedited production timelines, and on-time delivery ensures total satisfaction for every project, every time.

