

AVAILABLE CUTOUT AREA

SECTION D-D



PEDESTALPRO.COM
1-800-660-3072

UNLESS OTHERWISE SPECIFIED:

DIMENSIONS ARE IN INCHES
TOLERANCES:
FRACTIONAL $\pm 1/32$
ANGULAR: $\pm 2^\circ$
TWO PLACE DECIMAL ± 0.010
THREE PLACE DECIMAL ± 0.005

INTERPRET GEOMETRIC
TOLERANCING PER:
ASME Y14.5 -2009

| NAME | DATE |
|---------|------|
| DRAWN | |
| CHECKED | |

PROPRIETARY AND CONFIDENTIAL
THE INFORMATION CONTAINED IN THIS DRAWING IS THE SOLE PROPERTY OF PEDESTALPRO LLC. ANY REPRODUCTION IN PART OR AS A WHOLE WITHOUT THE WRITTEN PERMISSION OF PEDESTALPRO LLC IS PROHIBITED.

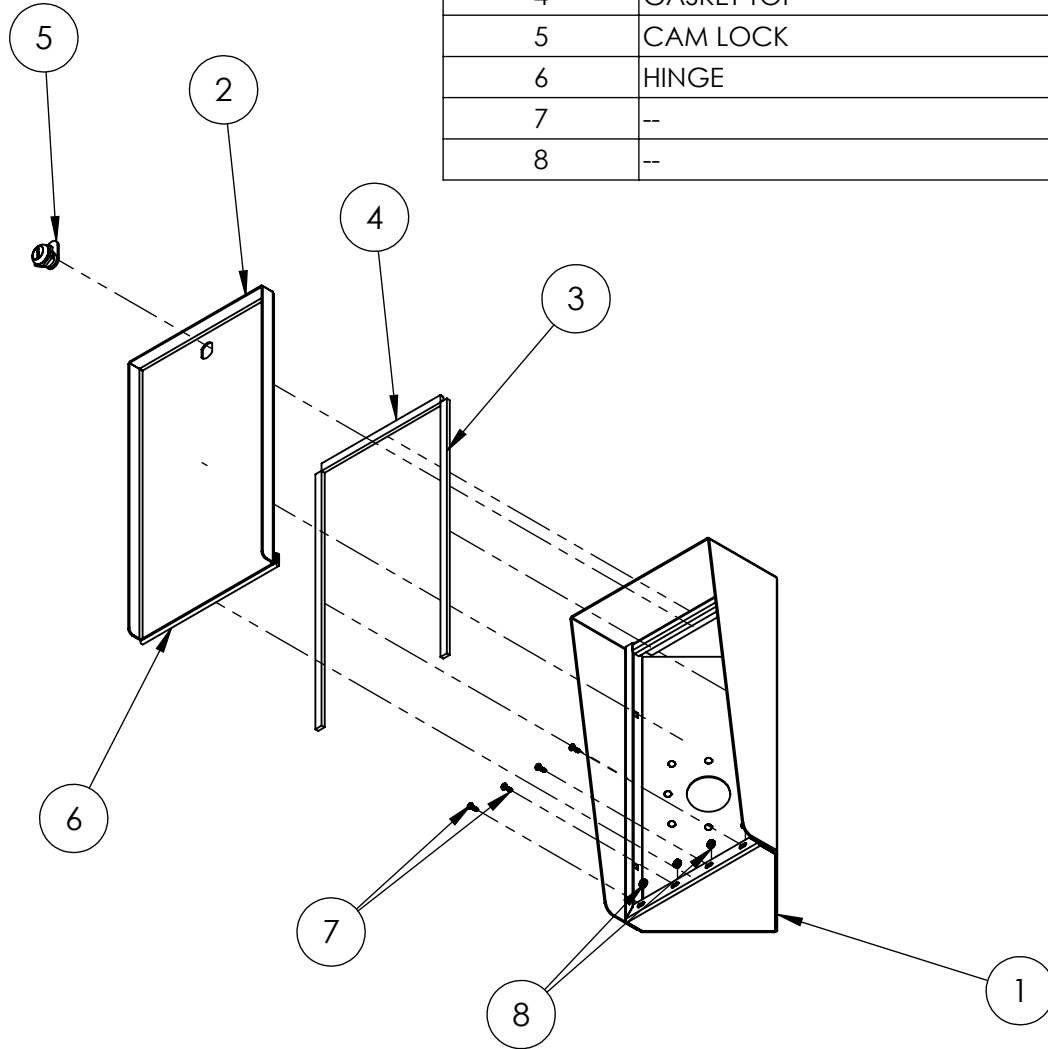
TITLE:
INSTALLATION

Wednesday, October 10, 2018 11:59:24 AM

WEIGHT:

| SIZE | PART NO. | REV |
|----------|--------------------|--------------|
| A | PORTRA-CS-8X14-45E | A |
| NO SCALE | | SHEET 1 OF 6 |

| ITEM NO. | PART NUMBER | DESCRIPTION | QTY. |
|----------|------------------------------|---------------------------------|------|
| 1 | PORTRA-CS-8X14-45E ENCLOSURE | ENCLOSURE WELDMENT | 1 |
| 2 | PORTRA-CS-8X14-45E DOOR | DOOR WELDMENT | 1 |
| 3 | GASKET SIDE | 3/8 X .150 WEATHERSTRIPPING | 2 |
| 4 | GASKET TOP | 3/8 X .150 WEATHERSTRIPPING | 1 |
| 5 | CAM LOCK | STRAIGHT CAM | 1 |
| 6 | HINGE | PIANO HINGE 1/8 PIN DIA | 1 |
| 7 | -- | 6-32 X 3/8 SS BUTTON HEAD SCREW | 4 |
| 8 | -- | 6-32 EXTERNAL TOOTH LOCKNUT | 4 |



NOTES:

1. SEE STANDARD PREPARATION AND COATING INSTRUCTIONS FOR COATING PROCEDURE AND COLOR.
2. SEE STANDARD PACKAGING INSTRUCTIONS FOR PACKAGING PROCEDURE.



PEDESTALPRO.COM
1-800-660-3072

UNLESS OTHERWISE SPECIFIED:

DIMENSIONS ARE IN INCHES
TOLERANCES:
FRACTIONAL $\pm 1/32$
ANGULAR: $\pm 2^\circ$
TWO PLACE DECIMAL ± 0.010
THREE PLACE DECIMAL ± 0.005

INTERPRET GEOMETRIC TOLERANCING PER: ASME Y14.5 -2009

NAME DATE

DRAWN

CHECKED

PROPRIETARY AND CONFIDENTIAL

THE INFORMATION CONTAINED IN THIS DRAWING IS THE SOLE PROPERTY OF PEDESTALPRO LLC. ANY REPRODUCTION IN PART OR AS A WHOLE WITHOUT THE WRITTEN PERMISSION OF PEDESTALPRO LLC IS PROHIBITED.

TITLE:

ASSMEBLY

Wednesday, October 10, 2018 11:59:24 AM

WEIGHT:

SIZE
A

PART NO.

PORTRA-CS-8X14-45E

NO SCALE

REV
A

SHEET 2 OF 6