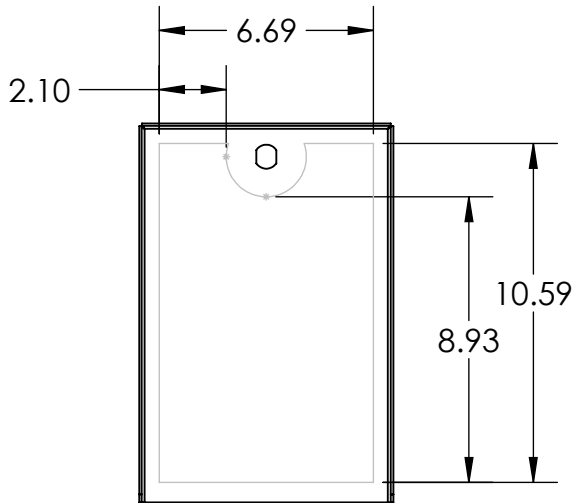
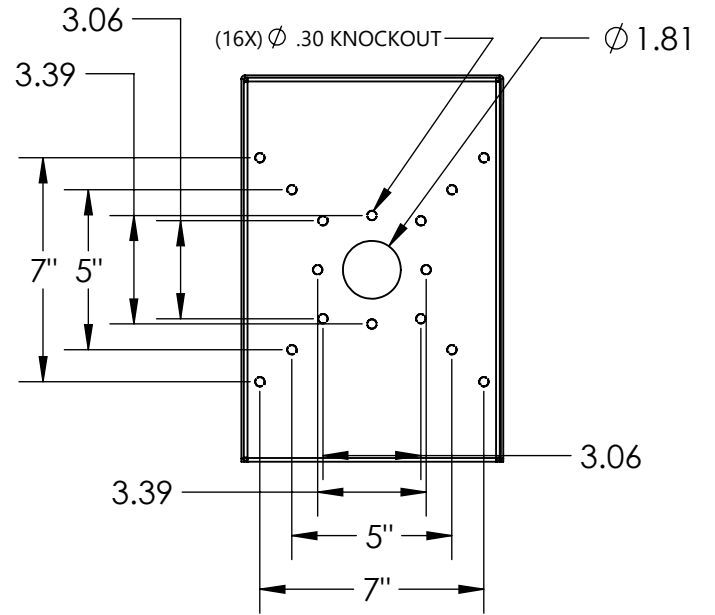
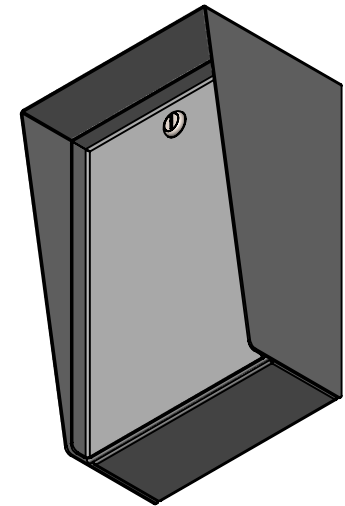


SECTION A-A



AVAILABLE CUTOUT AREA



PEDESTALPRO.COM  
1-800-660-3072

UNLESS OTHERWISE SPECIFIED:

DIMENSIONS ARE IN INCHES  
TOLERANCES:  
FRACTIONAL:  $\pm 1/32$   
ANGULAR:  $\pm 2^\circ$   
TWO PLACE DECIMAL:  $\pm 0.010$   
THREE PLACE DECIMAL:  $\pm 0.005$

INTERPRET GEOMETRIC  
TOLERANCING PER:  
ASME Y14.5 -2009

| NAME | DATE |
|------|------|
|      |      |

DRAWN  
CHECKED

**PROPRIETARY AND CONFIDENTIAL**

THE INFORMATION CONTAINED IN THIS DRAWING IS THE SOLE PROPERTY OF PEDESTALPRO LLC. ANY REPRODUCTION IN PART OR AS A WHOLE WITHOUT THE WRITTEN PERMISSION OF PEDESTALPRO LLC IS PROHIBITED.

TITLE:  
**INSTALLATION**

Tuesday, September 11, 2018 9:34:19 AM

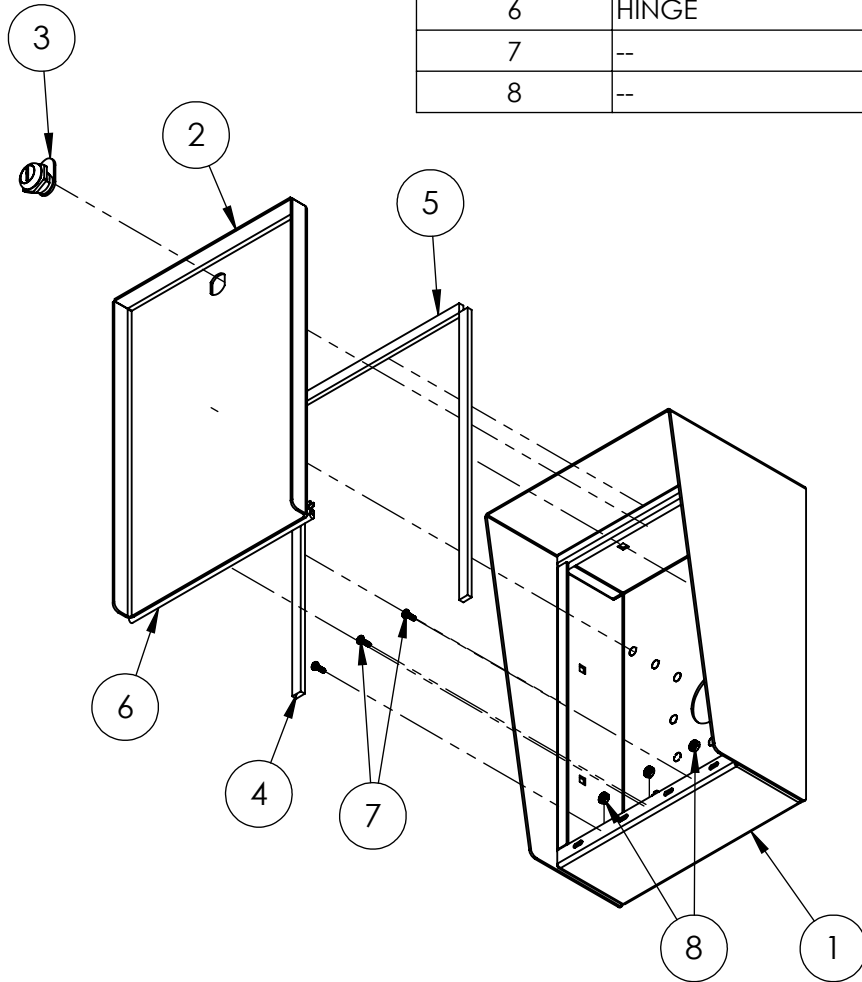
WEIGHT:

|                  |                              |                 |
|------------------|------------------------------|-----------------|
| SIZE<br><b>A</b> | PART NO.<br>PORTRA-CS-8X12-E | REV<br><b>A</b> |
|------------------|------------------------------|-----------------|

NO SCALE

SHEET 1 OF 6

| ITEM NO. | PART NUMBER                | DESCRIPTION                     | QTY. |
|----------|----------------------------|---------------------------------|------|
| 1        | PORTRA-CS-8X12-E ENCLOSURE | ENCLOSURE WELDMENT              | 1    |
| 2        | PORTRA-CS-8X12-E DOOR      | DOOR WELDMENT                   | 1    |
| 3        | CAM LOCK                   | STRAIGHT CAM                    | 1    |
| 4        | GASKET SIDE                | 3/8 X .150 WEATHERSTRIPPING     | 2    |
| 5        | GASKET TOP                 | 3/8 X .150 WEATHERSTRIPPING     | 1    |
| 6        | HINGE                      | PIANO HINGE                     | 1    |
| 7        | --                         | 6-32 X 3/8 SS BUTTON HEAD SCREW | 3    |
| 8        | --                         | 6-32 EXTERNAL TOOTH LOCK NUT    | 3    |



NOTES:

1. SEE STANDARD PREPARATION AND COATING INSTRUCTIONS FOR COATING PROCEDURE AND COLOR.
2. SEE STANDARD PACKAGING INSTRUCTIONS FOR PACKAGING PROCEDURE.



PEDESTALPRO.COM  
1-800-660-3072

UNLESS OTHERWISE SPECIFIED:

DIMENSIONS ARE IN INCHES  
TOLERANCES:  
FRACTIONAL:  $\pm 1/32$   
ANGULAR:  $\pm 2^\circ$   
TWO PLACE DECIMAL:  $\pm 0.010$   
THREE PLACE DECIMAL:  $\pm 0.005$

INTERPRET GEOMETRIC TOLERANCING PER: ASME Y14.5 -2009

| NAME    | DATE |
|---------|------|
| DRAWN   |      |
| CHECKED |      |

**PROPRIETARY AND CONFIDENTIAL**  
THE INFORMATION CONTAINED IN THIS DRAWING IS THE SOLE PROPERTY OF PEDESTALPRO LLC. ANY REPRODUCTION IN PART OR AS A WHOLE WITHOUT THE WRITTEN PERMISSION OF PEDESTALPRO LLC IS PROHIBITED.

TITLE:  
**ASSEMBLY**

Tuesday, September 11, 2018 9:34:19 AM

WEIGHT:

|                  |                              |
|------------------|------------------------------|
| SIZE<br><b>A</b> | PART NO.<br>PORTRA-CS-8X12-E |
|------------------|------------------------------|

|                 |
|-----------------|
| REV<br><b>A</b> |
|-----------------|

NO SCALE

SHEET 2 OF 6