

NOTES:

1. MATERIAL OF CONSTRUCTION IS 304 SS BRUSHED TO A #4 FINISH.
2. MOUNTS A BUTTERFLY MX 21" UNIT.



PEDESTALPRO.COM
1-800-660-3072

UNLESS OTHERWISE SPECIFIED:

DIMENSIONS ARE IN INCHES
TOLERANCES:
FRACTIONAL $\pm 1/32$
ANGULAR: $\pm 2^\circ$
TWO PLACE DECIMAL ± 0.010
THREE PLACE DECIMAL ± 0.005

INTERPRET GEOMETRIC
TOLERANCING PER:
ASME Y14.5 -2009

NAME	DATE
DRAWN	
CHECKED	

PROPRIETARY AND CONFIDENTIAL
THE INFORMATION CONTAINED IN THIS DRAWING IS THE SOLE PROPERTY OF PEDESTALPRO LLC. ANY REPRODUCTION IN PART OR AS A WHOLE WITHOUT THE WRITTEN PERMISSION OF PEDESTALPRO LLC IS PROHIBITED.

TITLE:
INSTALLATION

Wednesday, October
31, 2018 11:52:18 AM

WEIGHT:

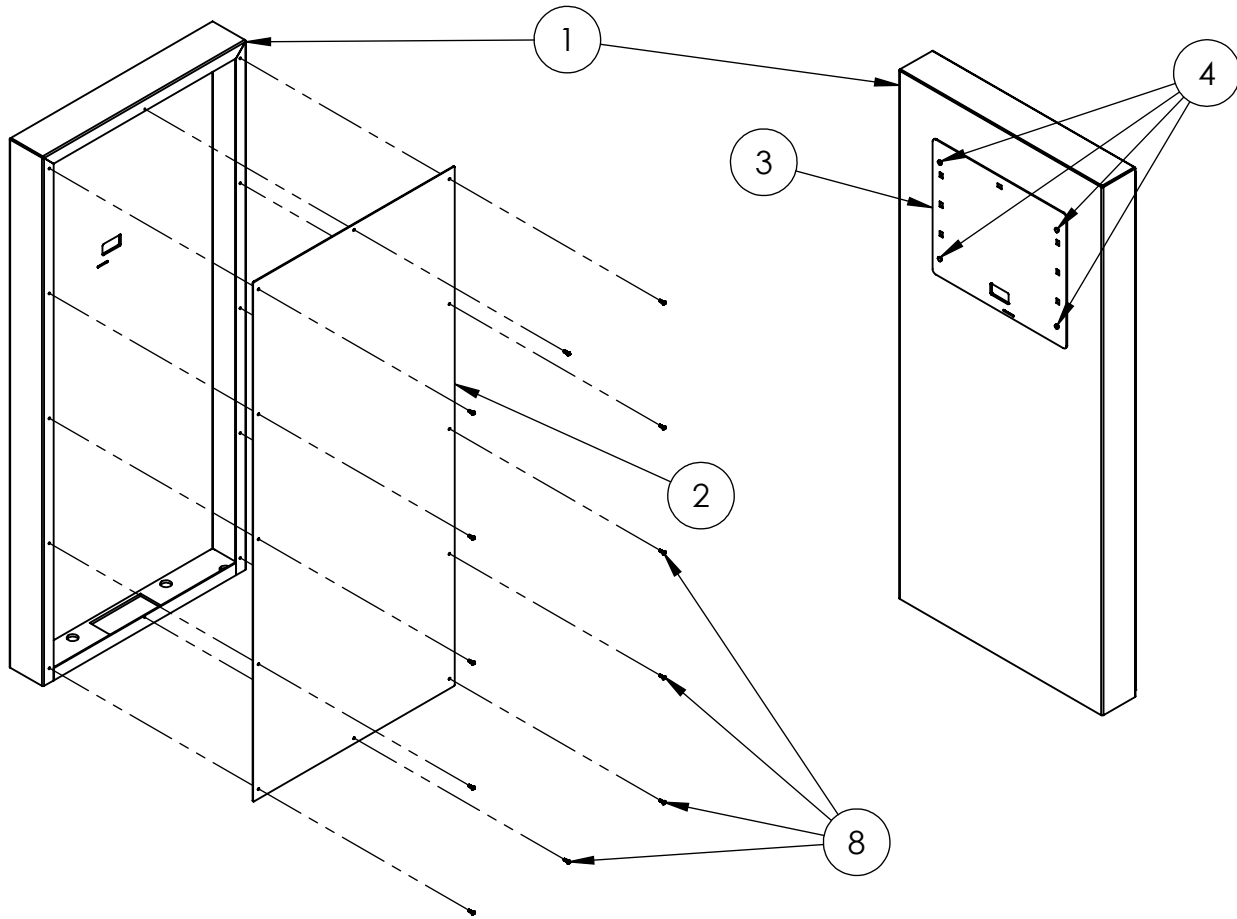
SIZE	PART NO.
A	MX-SS-21S

NO SCALE

REV
0

SHEET 1 OF 9

ITEM NO.	PART NUMBER	DESCRIPTION	QTY.
1	MX-SS-21S MAIN BODY	304SS TOWER WELDMENT	1
2	MX-SS-21S ACCESS DOOR	304SS ACCESS DOOR	1
3	ADAPTER PLATE	BUTTERFLY MOUNTING PLATE	1
4	10mm KEYHOLE STUD	304 STAINLESS STEEL	4
8	91772A194	8-32 SS BUTTON HEAD SCREW	12



NOTES:

1. BRUSHED #4 FINISH.
2. MOUNTS A BUTTERFLY MX 21 INCH SURFACE MOUNT UNIT.



PEDESTALPRO.COM
1-800-660-3072

UNLESS OTHERWISE SPECIFIED:

DIMENSIONS ARE IN INCHES
TOLERANCES:
FRACTIONAL $\pm 1/32$
ANGULAR: $\pm 2^\circ$
TWO PLACE DECIMAL ± 0.010
THREE PLACE DECIMAL ± 0.005

INTERPRET GEOMETRIC
TOLERANCING PER:
ASME Y14.5 -2009

NAME DATE

DRAWN

CHECKED

PROPRIETARY AND CONFIDENTIAL

THE INFORMATION CONTAINED IN THIS
DRAWING IS THE SOLE PROPERTY OF
PEDESTALPRO LLC. ANY REPRODUCTION
IN PART OR AS A WHOLE WITHOUT THE
WRITTEN PERMISSION OF PEDESTALPRO LLC
IS PROHIBITED.

TITLE:

MX-SS-21S

Wednesday, October
31, 2018 11:52:18 AM

WEIGHT:

SIZE
A

PART NO.
ASSEMBLY

NO SCALE

REV
0

SHEET 2 OF 9