

- NOTES:
1. MATERIAL OF CONSTRUCTION IS 304SS BRUSHED #4 FINISH.
  2. MOUNTS A 12" BUTTERFLY UNIT.



PEDESTALPRO.COM  
1-800-660-3072

UNLESS OTHERWISE SPECIFIED:

DIMENSIONS ARE IN INCHES  
TOLERANCES:  
FRACTIONAL ± 1/32  
ANGULAR: ± 2°  
TWO PLACE DECIMAL ± 0.010  
THREE PLACE DECIMAL ± 0.005

INTERPRET GEOMETRIC  
TOLERANCING PER:  
ASME Y14.5 -2009

| NAME    | DATE |
|---------|------|
| DRAWN   |      |
| CHECKED |      |

**PROPRIETARY AND CONFIDENTIAL**  
THE INFORMATION CONTAINED IN THIS DRAWING IS THE SOLE PROPERTY OF PEDESTALPRO LLC. ANY REPRODUCTION IN PART OR AS A WHOLE WITHOUT THE WRITTEN PERMISSION OF PEDESTALPRO LLC IS PROHIBITED.

TITLE:  
**INSTALLATION**

Wednesday, October 31, 2018 11:52:18 AM

WEIGHT:

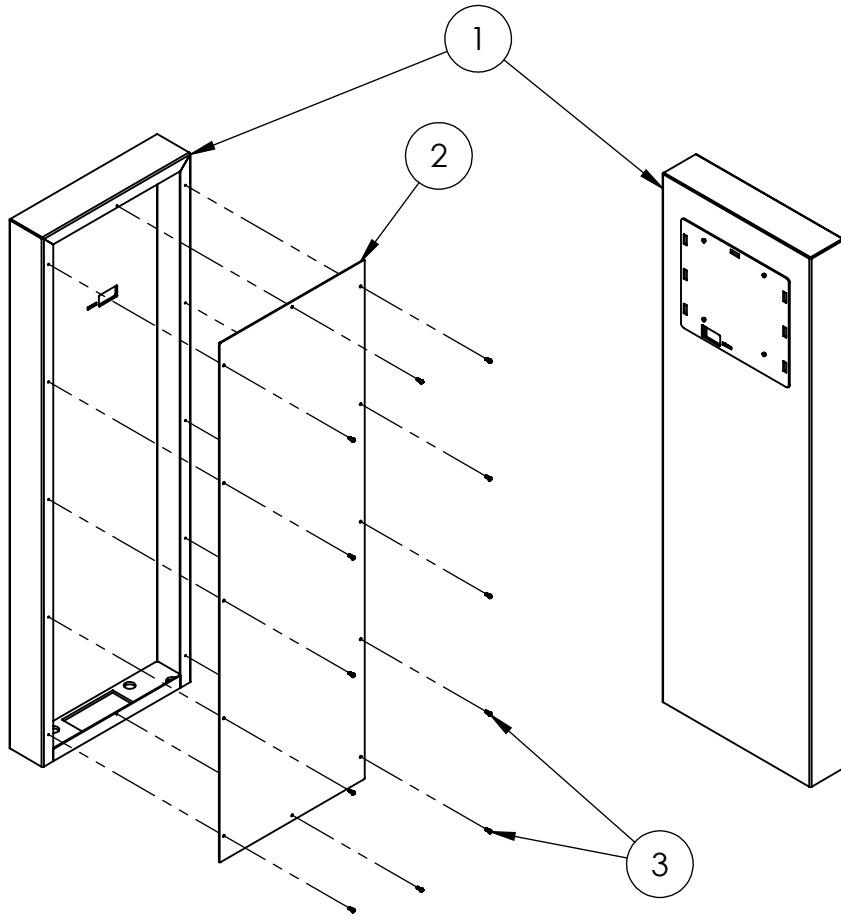
SIZE **A** PART NO. MX-SS-12S

NO SCALE

REV **0**

SHEET 1 OF 10

| ITEM NO. | PART NUMBER           | DESCRIPTION               | QTY. |
|----------|-----------------------|---------------------------|------|
| 1        | MX-SS-12S MAIN BODY   | 304SS TOWER WELDMENT      | 1    |
| 2        | MX-SS-12S ACCESS DOOR | 304SS DOOR WELDMENT       | 1    |
| 3        | 91772A194             | 8-32 SS BUTTON HEAD SCREW | 12   |



NOTES:

- BRUSHED #4 FINISH.
- MOUNTS A BUTTERFLY MX 21 INCH SURFACE MOUNT UNIT.



PEDESTALPRO.COM  
1-800-660-3072

UNLESS OTHERWISE SPECIFIED:

DIMENSIONS ARE IN INCHES  
TOLERANCES:  
FRACTIONAL  $\pm 1/32$   
ANGULAR:  $\pm 2^\circ$   
TWO PLACE DECIMAL  $\pm 0.010$   
THREE PLACE DECIMAL  $\pm 0.005$

INTERPRET GEOMETRIC  
TOLERANCING PER:  
ASME Y14.5 -2009

| NAME    | DATE |
|---------|------|
| DRAWN   |      |
| CHECKED |      |

**PROPRIETARY AND CONFIDENTIAL**  
THE INFORMATION CONTAINED IN THIS  
DRAWING IS THE SOLE PROPERTY OF  
PEDESTALPRO LLC. ANY REPRODUCTION  
IN PART OR AS A WHOLE WITHOUT THE  
WRITTEN PERMISSION OF PEDESTALPRO LLC  
IS PROHIBITED.

TITLE:  
**MX-SS-12S**

Wednesday, October  
31, 2018 11:52:18 AM

WEIGHT:

SIZE **A** PART NO.  
ASSEMBLY

REV  
**0**

NO SCALE

SHEET 2 OF 10