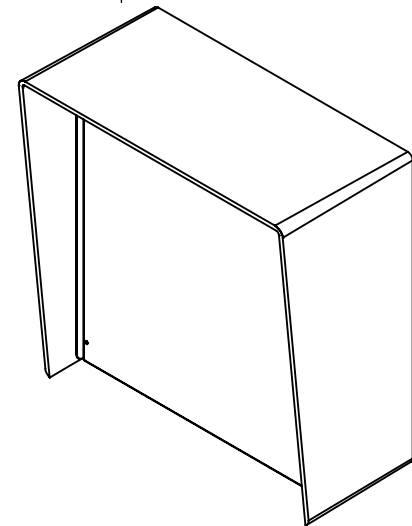
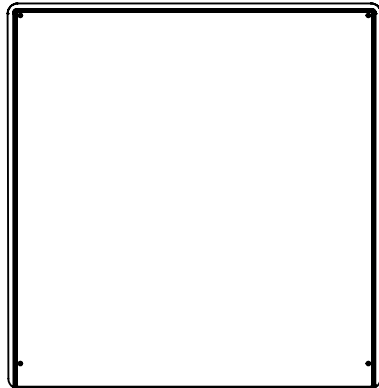
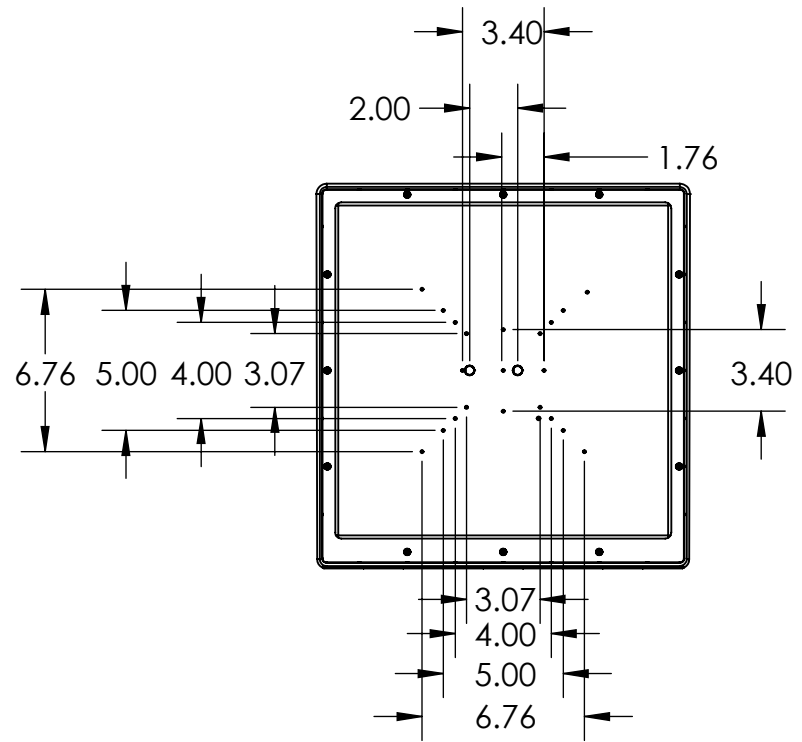


SECTION A-A



PEDESTALPRO.COM
1-800-660-3072

UNLESS OTHERWISE SPECIFIED:

DIMENSIONS ARE IN INCHES
TOLERANCES:
FRACTIONAL $\pm 1/32$
ANGULAR: $\pm 2^\circ$
TWO PLACE DECIMAL ± 0.010
THREE PLACE DECIMAL ± 0.005

INTERPRET GEOMETRIC
TOLERANCING PER:
ASME Y14.5 -2009

NAME	DATE

DRAWN
CHECKED

PROPRIETARY AND CONFIDENTIAL

THE INFORMATION CONTAINED IN THIS DRAWING IS THE SOLE PROPERTY OF PEDESTALPRO LLC. ANY REPRODUCTION IN PART OR AS A WHOLE WITHOUT THE WRITTEN PERMISSION OF PEDESTALPRO LLC IS PROHIBITED.

TITLE:
INSTALLATION

Tuesday, August 30,
2022 4:10:26 PM

WEIGHT: 8.540

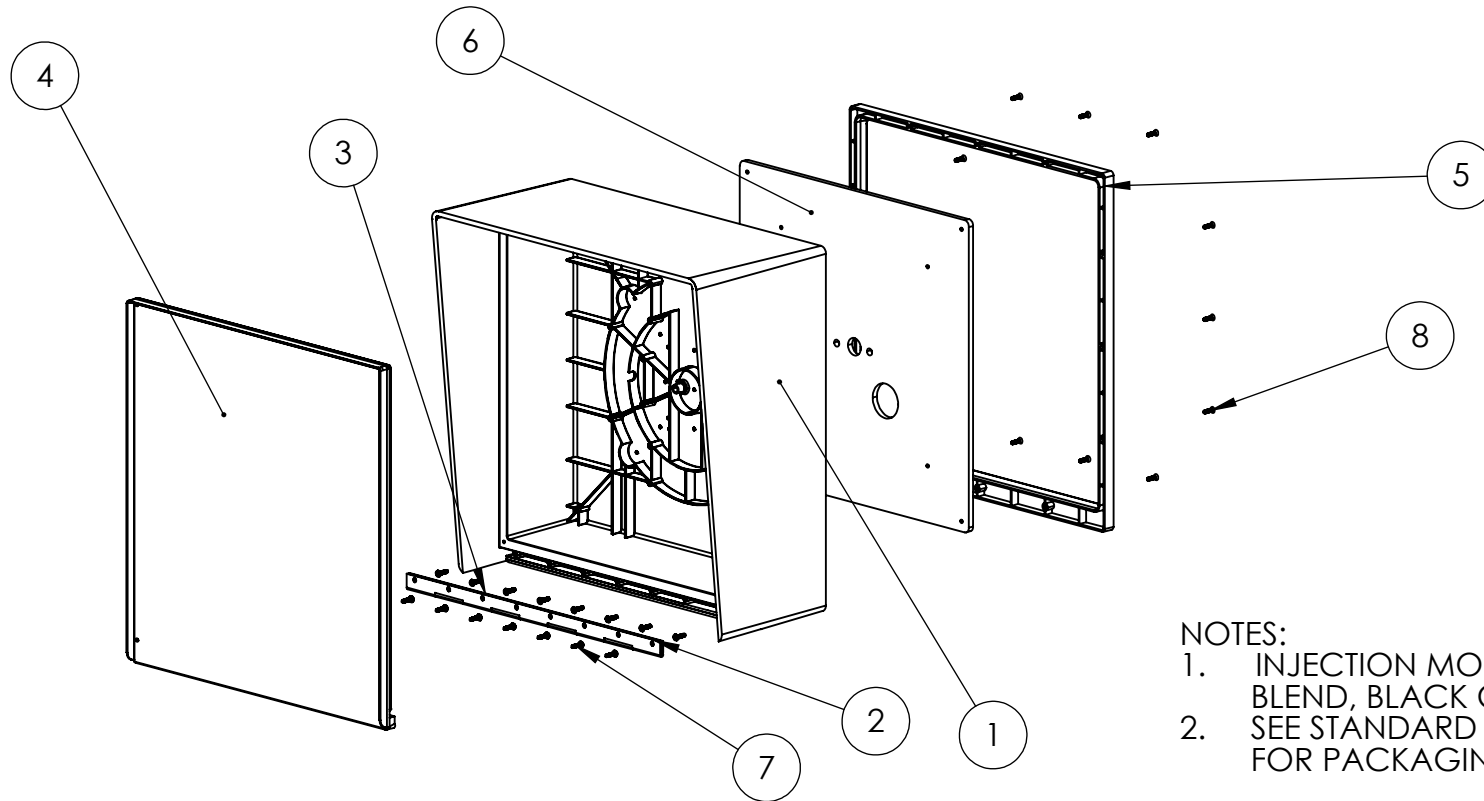
SIZE	PART NO.
A	MC-PC-14-E

NO SCALE

REV
A

SHEET 1 OF 6

ITEM NO.	PART NUMBER	DESCRIPTION	QTY.
1	MC-PC-14-E ENCLOSURE	POLYCARBONATE HOUSING	1
2	MC-PC-14-E HINGE	PIANO HINGE	1
3	MC-PC-14-E HINGE 2	PIANO HINGE	1
4	MC-PC-14-E DOOR	POLYCARBONATE DOOR	1
5	MC-PC-14-E RING	POLYCARBONATE RING	1
6	MC-PC-14-E PLATE	POLYCARBONATE PLATE	1
7	99461A240	#6X.5 PLASTITE SCREWS	16
8	91771A148	6-32 SS PHILLIPS FLAT HEAD SCREWS	12



NOTES:

1. INJECTION MOLDED ABS/POLYCARBONATE BLEND, BLACK COLOR, UV STABLE.
2. SEE STANDARD PACKAGING INSTRUCTIONS FOR PACKAGING PROCEDURE.



PEDESTALPRO.COM
1-800-660-3072

UNLESS OTHERWISE SPECIFIED:

DIMENSIONS ARE IN INCHES
TOLERANCES:
FRACTIONAL $\pm 1/32$
ANGULAR: $\pm 2^\circ$
TWO PLACE DECIMAL ± 0.010
THREE PLACE DECIMAL ± 0.005

INTERPRET GEOMETRIC
TOLERANCING PER:
ASME Y14.5 -2009

NAME	DATE
DRAWN	
CHECKED	

PROPRIETARY AND CONFIDENTIAL
THE INFORMATION CONTAINED IN THIS DRAWING IS THE SOLE PROPERTY OF PEDESTALPRO LLC. ANY REPRODUCTION IN PART OR AS A WHOLE WITHOUT THE WRITTEN PERMISSION OF PEDESTALPRO LLC IS PROHIBITED.

TITLE:
ASSEMBLY

Tuesday, August 30,
2022 4:10:26 PM

WEIGHT: 8.540

SIZE	PART NO.
A	MC-PC-14-E

REV
A

NO SCALE

SHEET 2 OF 6