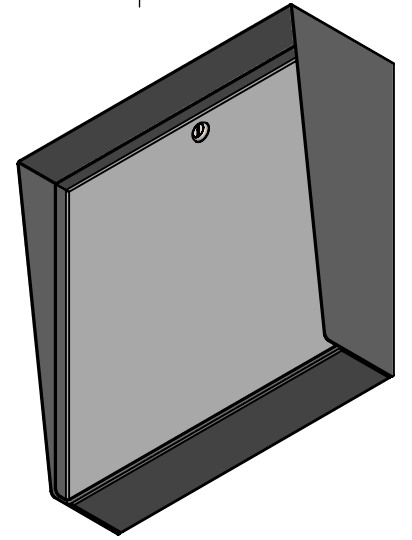


SECTION A-A

AVAILABLE CUTOUT AREA



PEDESTALPRO.COM
1-800-660-3072

UNLESS OTHERWISE SPECIFIED:

DIMENSIONS ARE IN INCHES
TOLERANCES:
FRACTIONAL: $\pm 1/32$
ANGULAR: $\pm 2^\circ$
TWO PLACE DECIMAL: ± 0.010
THREE PLACE DECIMAL: ± 0.005

INTERPRET GEOMETRIC
TOLERANCING PER:
ASME Y14.5 -2009

| NAME | DATE |
|---------|------|
| DRAWN | |
| CHECKED | |

PROPRIETARY AND CONFIDENTIAL
THE INFORMATION CONTAINED IN THIS DRAWING IS THE SOLE PROPERTY OF PEDESTALPRO LLC. ANY REPRODUCTION IN PART OR AS A WHOLE WITHOUT THE WRITTEN PERMISSION OF PEDESTALPRO LLC IS PROHIBITED.

TITLE:
INSTALLATION

Tuesday, September 11, 2018 8:34:19 AM

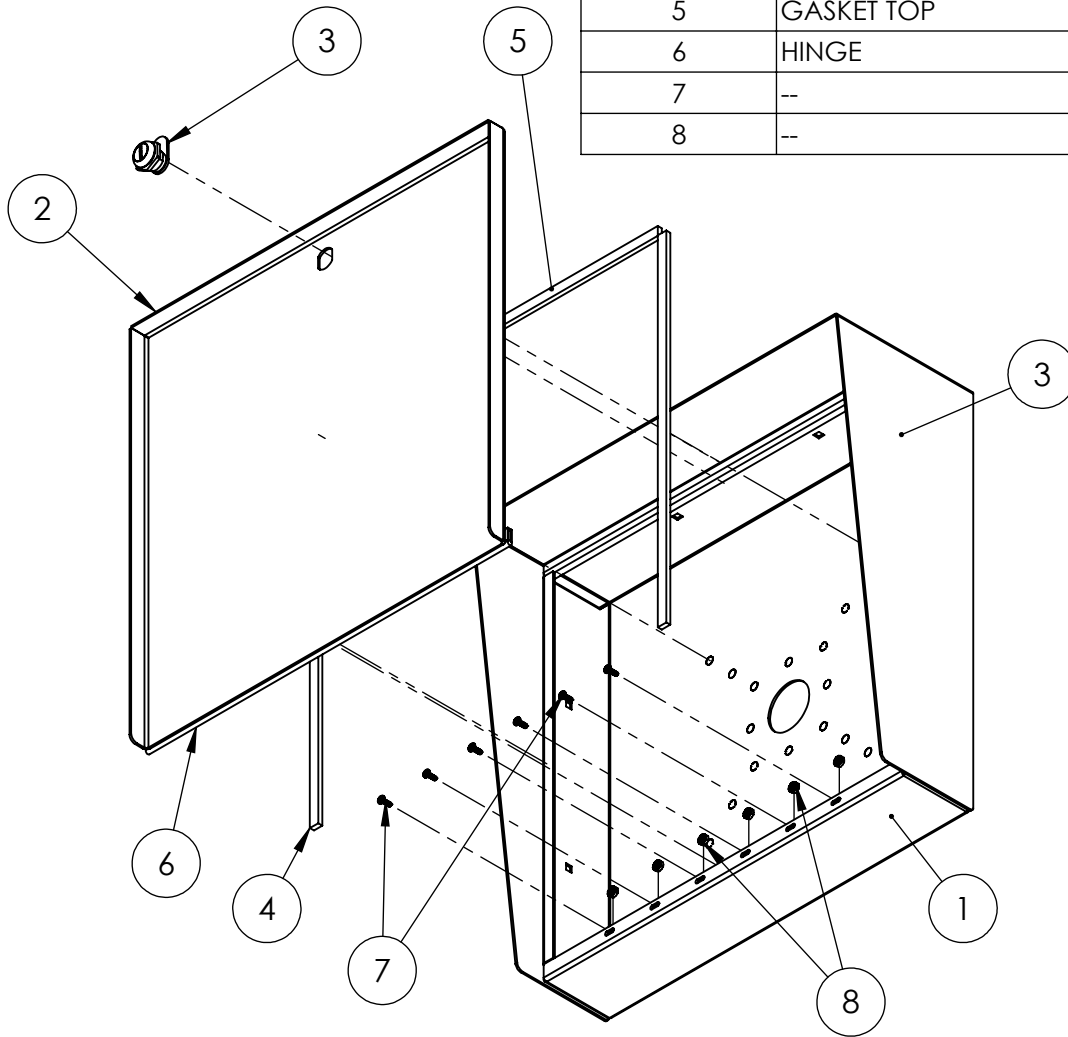
WEIGHT:

| SIZE | PART NO. | REV |
|----------|------------|----------|
| A | MC-CS-16-E | A |

NO SCALE

SHEET 1 OF 6

| ITEM NO. | PART NUMBER | DESCRIPTION | QTY. |
|----------|----------------------|---------------------------------|------|
| 1 | MC-CS-16-E ENCLOSURE | ENCLOSURE WELDMENT | 1 |
| 2 | MC-CS-16-E DOOR | DOOR WELDMENT | 1 |
| 3 | CAM LOCK | STRAIGHT CAM | 1 |
| 4 | GASKET SIDE | 3/8 X .150 WEATHERSTRIPPING | 2 |
| 5 | GASKET TOP | 3/8 X .150 WEATHERSTRIPPING | 1 |
| 6 | HINGE | PIANO HINGE | 1 |
| 7 | -- | 6-32 X 3/8 SS BUTTON HEAD SCREW | 6 |
| 8 | -- | 6-32 EXTERNAL TOOTH LOCK NUT | 6 |



- NOTES:
- SEE STANDARD PREPARATION AND COATING INSTRUCTIONS FOR COATING PROCEDURE AND COLOR.
 - SEE STANDARD PAKCAGING INSTRUCTIONS FOR PACKAGING PROCEDURE.



PEDESTALPRO.COM
1-800-660-3072

UNLESS OTHERWISE SPECIFIED:

DIMENSIONS ARE IN INCHES
TOLERANCES:
FRACTIONAL: $\pm 1/32$
ANGULAR: $\pm 2^\circ$
TWO PLACE DECIMAL ± 0.010
THREE PLACE DECIMAL ± 0.005

INTERPRET GEOMETRIC TOLERANCING PER: ASME Y14.5 -2009

NAME DATE

DRAWN

CHECKED

PROPRIETARY AND CONFIDENTIAL

THE INFORMATION CONTAINED IN THIS DRAWING IS THE SOLE PROPERTY OF PEDESTALPRO LLC. ANY REPRODUCTION IN PART OR AS A WHOLE WITHOUT THE WRITTEN PERMISSION OF PEDESTALPRO LLC IS PROHIBITED.

TITLE:

ASSEMBLY

Tuesday, September 11, 2018 8:34:19 AM

WEIGHT:

SIZE
A

PART NO.
MC-CS-16-E

REV
A

NO SCALE

SHEET 2 OF 6