

## PRODUCT FEATURES

- Designed for security professionals
- Black wrinkle powder coating w/ UV protection
- Universal design
- Heavy duty 14-gauge material
- Steel construction
- Military-grade EPDM rubber seal
- #304 Stainless steel hinge
- 3" Backbox space
- 3" Weather/privacy shroud
- Removable door
- Cam lock included
- Knockouts on backside
- IP54 rating
- NDAA, Buy American, or USMCA/CUSMA compliant
- In-stock, ready-to-ship
- Available direct or through distribution



## CUSTOM OPTIONS

- Factory cutouts available for your devices
- Shorten or extend height, width, or depth
- Readily available powder coating colors (white, yellow, bronze, gray, silver)
- Choose any RAL powder color

## DESCRIPTION

A sturdy steel housing to combine one or more access control devices such as keypads, card readers, intercoms, and entry/exit buttons side by side. Mount on a wall or pedestal at a gate, lobby, or entryway. Outdoor rated with weather/privacy shroud, EPDM rubber seal, stainless steel hinge, and polyester powder-coating with UV inhibitor. Convenient knockouts on the backside. Cam lock included. Door is removable.

## RECOMMENDED ACCESSORIES

### ROTATING HEAD



OMNI-4W5T-BLK

### BUFFER PLATE



46PLA-PRO-001-HDP

### HEATER



ACC-HEA-001-304

### COOLING FAN



ACC-FAN-001-304

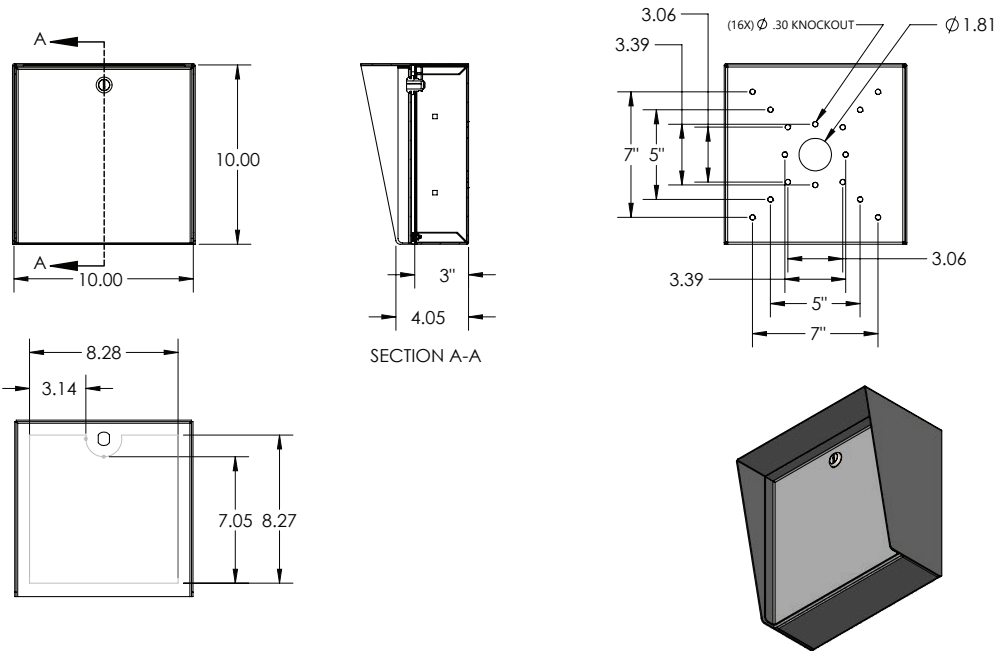
### LIGHT KIT



ACC-LED-001

**NOTE:** Real time inventory levels are viewable for registered users on [pedestalpro.com](http://pedestalpro.com)

Model No. **MC-CS-10-E**



**NOTE:** CAD drawing available online.  
Scan for more detail.



**DATA & SPECS**

Product Style	Housing
Material	Steel, .0749" (14 gauge)
Tube	#304 Stainless steel
Face Plate	EPDM rubber
Base Plate	IP54
Cover Plate	Yes
Mounting Method	Knockouts, qty 4+
Pretreatment	High pressure/high temperature phosphate wash and rinse
Finish	Black wrinkle powder coating (TGIC outdoor polyester)
UV Protection	Yes
Hardware	none
Packaging	Foam wrapped and boxed individually
Package Size	11 x 11 x 7
Weight	10 lbs
Shipping Method	UPS, FedEx, or LTL freight
Compliance	NDA, Buy American, or USMCA/CUSMA (see website for details)
Warranty	1 year limited (see website for details)
Inventory Status	In-Stock (inventory levels viewable for registered users on pedestalpro.com)

**SIMILAR PRODUCTS**

