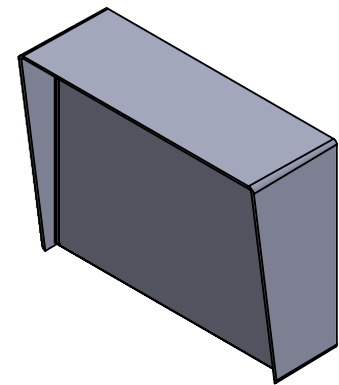


AVAILABLE CUTOUT AREA



PEDESTALPRO.COM  
1-800-660-3072

UNLESS OTHERWISE SPECIFIED:

DIMENSIONS ARE IN INCHES  
TOLERANCES:  
FRACTIONAL  $\pm 1/32$   
ANGULAR:  $\pm 2^\circ$   
TWO PLACE DECIMAL  $\pm 0.010$   
THREE PLACE DECIMAL  $\pm 0.005$

INTERPRET GEOMETRIC  
TOLERANCING PER:  
ASME Y14.5 -2009

| NAME    | DATE |
|---------|------|
| DRAWN   |      |
| CHECKED |      |

**PROPRIETARY AND CONFIDENTIAL**  
THE INFORMATION CONTAINED IN THIS DRAWING IS THE SOLE PROPERTY OF PEDESTALPRO LLC. ANY REPRODUCTION IN PART OR AS A WHOLE WITHOUT THE WRITTEN PERMISSION OF PEDESTALPRO LLC IS PROHIBITED.

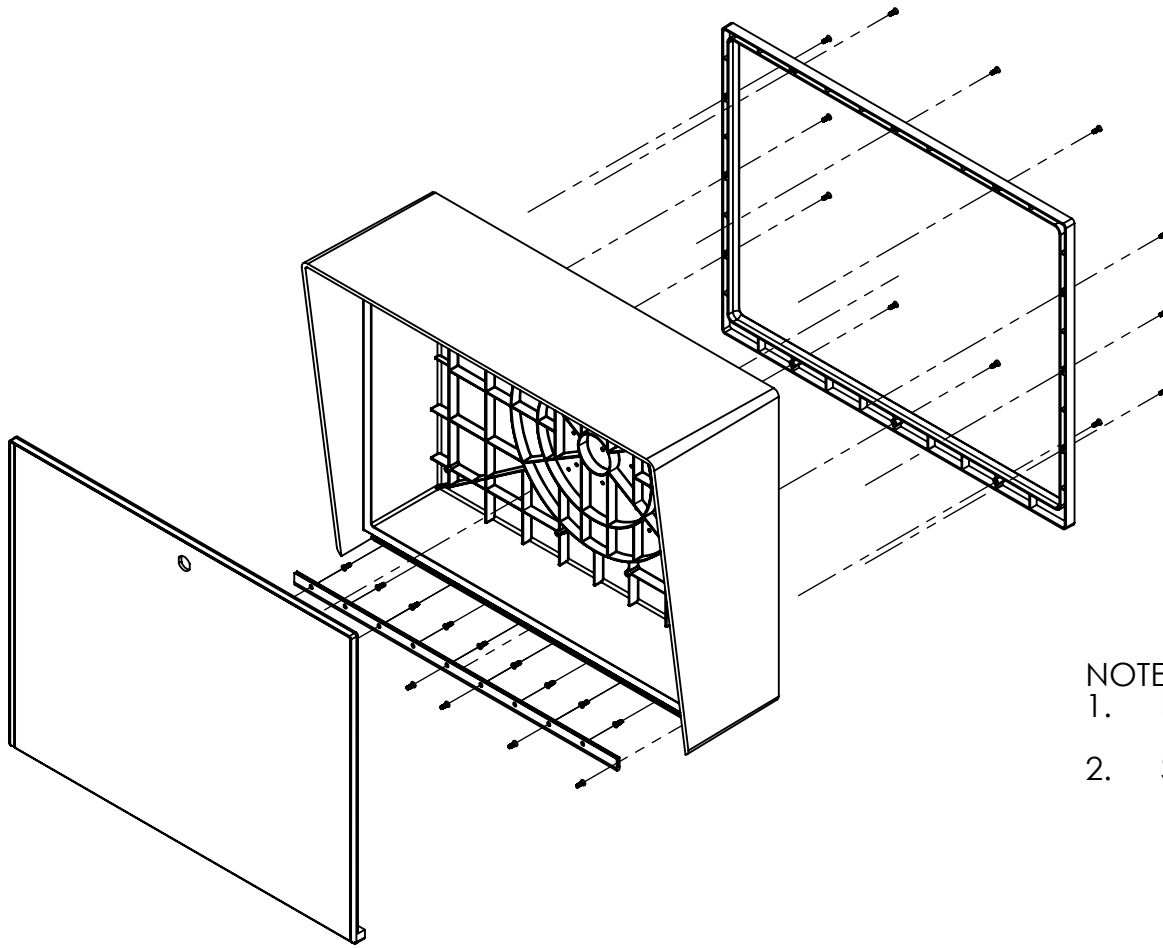
TITLE:  
**INSTALLATION**

Friday, March 8, 2019  
3:13:13 PM

WEIGHT:

| SIZE     | PART NO.         | REV          |
|----------|------------------|--------------|
| <b>A</b> | LANDO-PC-20X16-E | <b>A</b>     |
| NO SCALE |                  | SHEET 1 OF 5 |

| ITEM NO. | PART NUMBER                     | DESCRIPTION                       | QTY. |
|----------|---------------------------------|-----------------------------------|------|
| 1        | LANDO-PC-20X16-E HOUSING        | POLYCARBONATE HOUSING             | 1    |
| 2        | LANDO-PC-20X16-E RETAINING RING | POLYCARBONATE RING                | 1    |
| 3        | LANDO-PC-20X16-E DOOR           | POLYCARBONATE DOOR                | 1    |
| 4        | HINGE                           | PIANO HINGE                       | 1    |
| 6        | --                              | 6-32 SS PHILLIPS FLAT HEAD SCREWS | 27   |



- NOTES:
1. INJECTION MOLDED ABS/POLYCARBONATE BLEND, BLACK COLOR, UV STABLE.
  2. SEE STANDARD PACKAGING INSTRUCTIONS FOR PACKAGING PROCEDURE.



PEDESTALPRO.COM  
1-800-660-3072

UNLESS OTHERWISE SPECIFIED:

DIMENSIONS ARE IN INCHES  
TOLERANCES:  
FRACTIONAL  $\pm 1/32$   
ANGULAR:  $\pm 2^\circ$   
TWO PLACE DECIMAL  $\pm 0.010$   
THREE PLACE DECIMAL  $\pm 0.005$

INTERPRET GEOMETRIC  
TOLERANCING PER:  
ASME Y14.5 -2009

| NAME    | DATE |
|---------|------|
| DRAWN   |      |
| CHECKED |      |

**PROPRIETARY AND CONFIDENTIAL**  
THE INFORMATION CONTAINED IN THIS DRAWING IS THE SOLE PROPERTY OF PEDESTALPRO LLC. ANY REPRODUCTION IN PART OR AS A WHOLE WITHOUT THE WRITTEN PERMISSION OF PEDESTALPRO LLC IS PROHIBITED.

TITLE:  
**ASSEMBLY**

Friday, March 8, 2019  
3:13:13 PM

WEIGHT:

| SIZE     | PART NO.         | REV      |
|----------|------------------|----------|
| <b>A</b> | LANDO-PC-20X16-E | <b>A</b> |