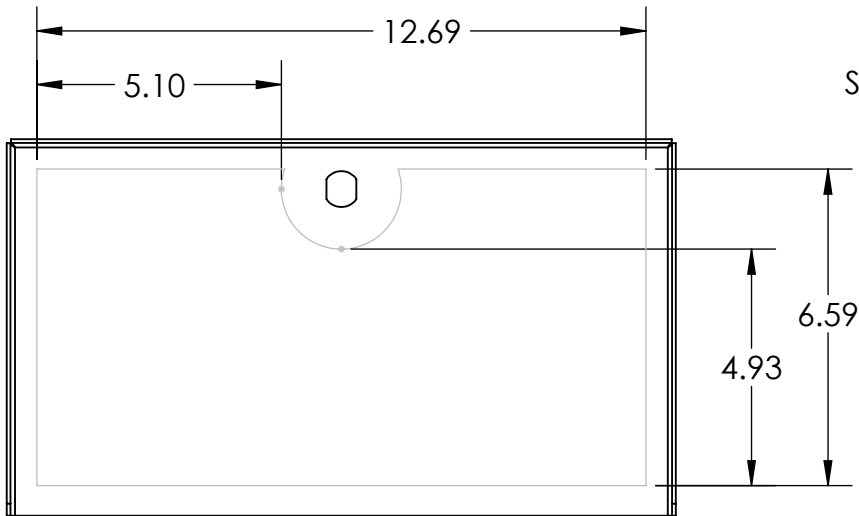
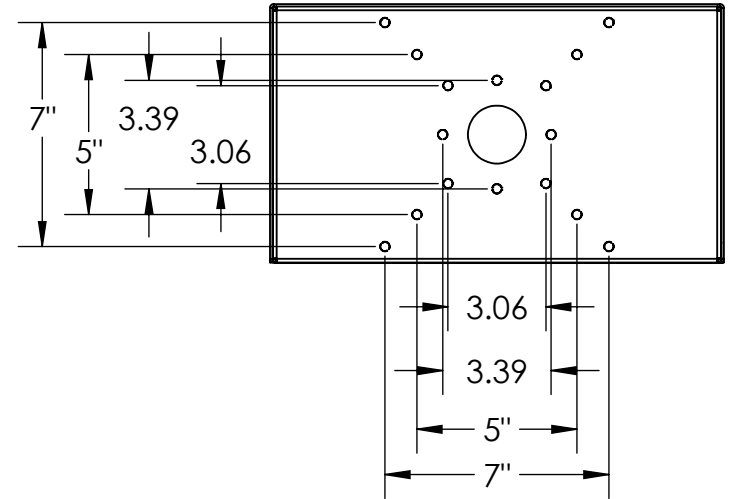
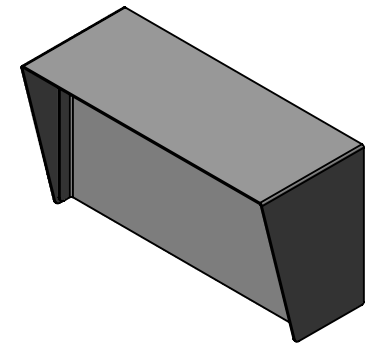


SECTION G-G



AVAILABLE CUTOUT AREA



PEDESTALPRO.COM
1-800-660-3072

UNLESS OTHERWISE SPECIFIED:

DIMENSIONS ARE IN INCHES
TOLERANCES:
FRACTIONAL: $\pm 1/32$
ANGULAR: $\pm 2^\circ$
TWO PLACE DECIMAL: ± 0.010
THREE PLACE DECIMAL: ± 0.005

INTERPRET GEOMETRIC
TOLERANCING PER:
ASME Y14.5 -2009

NAME	DATE
DRAWN	
CHECKED	

PROPRIETARY AND CONFIDENTIAL
THE INFORMATION CONTAINED IN THIS DRAWING IS THE SOLE PROPERTY OF PEDESTALPRO LLC. ANY REPRODUCTION IN PART OR AS A WHOLE WITHOUT THE WRITTEN PERMISSION OF PEDESTALPRO LLC IS PROHIBITED.

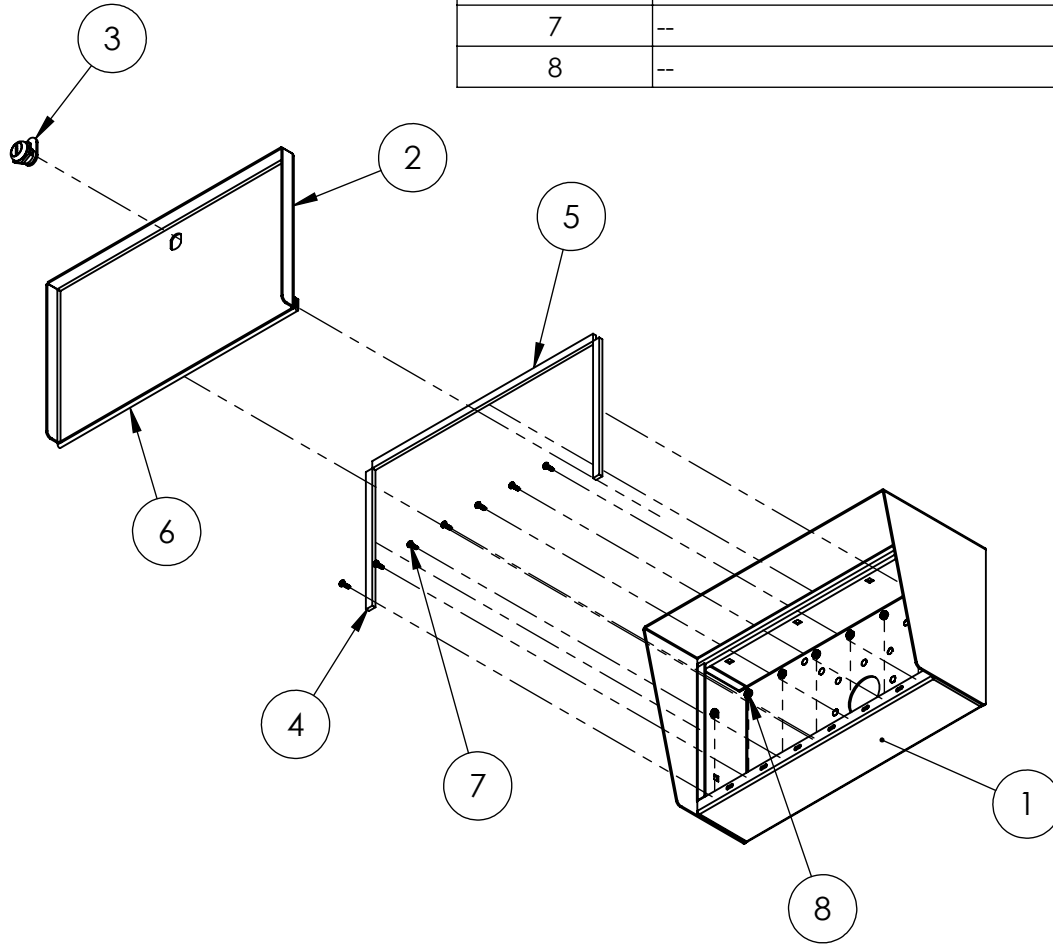
TITLE:
INSTALLATION

Tuesday, September 11, 2018 9:34:19 AM

WEIGHT:

SIZE	PART NO.	REV
A	LANDO-CS-14X8-E	A
NO SCALE		SHEET 1 OF 6

ITEM NO.	PART NUMBER	DESCRIPTION	QTY.
1	LANDO-CS-14X8-E ENCLOSURE	ENCLOSURE WELDMENT	1
2	LANDO-CS-14X8-E DOOR	DOOR WELDMENT	1
3	CAM LOCK	STRAIGHT CAM	1
4	GASKET SIDE	3/8 X .150 WEATHERSTRIPPING	2
5	GASKET TOP	3/8 X .150 WEATHERSTRIPPING	1
6	HINGE	PIANO HINGE	1
7	--	6-32 X 3/8 SS BUTTON HEAD SCREW	7
8	--	6-32 EXTERNAL TOOTH LOCK NUT	7



NOTES:

- SEE STANDARD PREPARATION AND COATING INSTRUCTIONS FOR COATING PROCEDURE AND COLOR.
- SEE STANDARD PACKAGING INSTRUCTIONS FOR PACKAGING PROCEDURE.



PEDESTALPRO.COM
1-800-660-3072

UNLESS OTHERWISE SPECIFIED:

DIMENSIONS ARE IN INCHES
TOLERANCES:
FRACTIONAL $\pm 1/32$
ANGULAR: $\pm 2^\circ$
TWO PLACE DECIMAL ± 0.010
THREE PLACE DECIMAL ± 0.005

INTERPRET GEOMETRIC TOLERANCING PER: ASME Y14.5 -2009

NAME	DATE
DRAWN	
CHECKED	

PROPRIETARY AND CONFIDENTIAL
THE INFORMATION CONTAINED IN THIS DRAWING IS THE SOLE PROPERTY OF PEDESTALPRO LLC. ANY REPRODUCTION IN PART OR AS A WHOLE WITHOUT THE WRITTEN PERMISSION OF PEDESTALPRO LLC IS PROHIBITED.

TITLE:
ASSEMBLY

Tuesday, September 11, 2018 9:34:19 AM

WEIGHT:

SIZE	PART NO.	REV
A	LANDO-CS-14X8-E	A
NO SCALE		SHEET 2 OF 6