

NOTES:
 1. MATERIAL OF CONSTRUCTION IS MILD STEEL COATED IN 2-4 MILS BLACK WRINKLE POWDER COATING.

PEDESTALPRO.COM
 1-800-660-3072

UNLESS OTHERWISE SPECIFIED:

DIMENSIONS ARE IN INCHES
 TOLERANCES:
 FRACTIONAL $\pm 1/32$
 ANGULAR: $\pm 2^\circ$
 TWO PLACE DECIMAL ± 0.010
 THREE PLACE DECIMAL ± 0.005

INTERPRET GEOMETRIC
 TOLERANCING PER:
 ASME Y14.5 -2009

NAME DATE

DRAWN

CHECKED

PROPRIETARY AND CONFIDENTIAL

THE INFORMATION CONTAINED IN THIS
 DRAWING IS THE SOLE PROPERTY OF
 PEDESTALPRO LLC. ANY REPRODUCTION
 IN PART OR AS A WHOLE WITHOUT THE
 WRITTEN PERMISSION OF PEDESTALPRO LLC
 IS PROHIBITED.

TITLE:

INSTALLATION

Thursday, September
 13, 2018 1:05:51 PM

WEIGHT: 2.556

SIZE
A

PART NO.

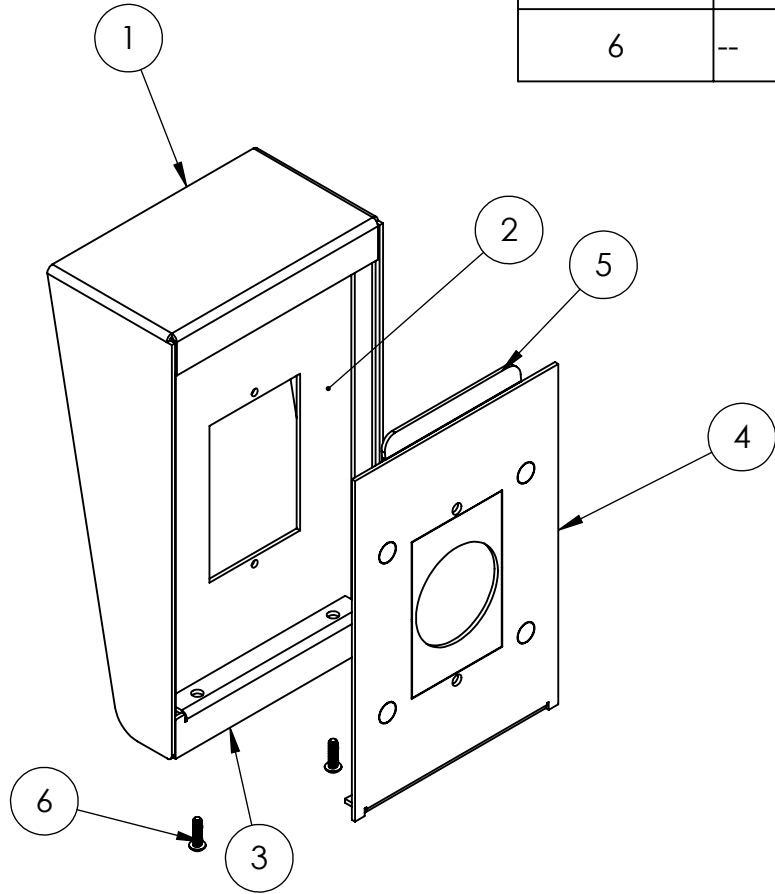
J-HOOD-CS-4.5X8

NO SCALE

REV
0

SHEET 1 OF 8

ITEM NO.	PART NUMBER	DESCRIPTION	QTY.
1	J-HOOD-CS-4.5X8	HOOD ASSEMBLY	1
2	J-HOOD-CS-4.5X8 MID PLATE	DEVICE MOUNTING PLATE	1
3	J-HOOD-CS-4.5X8 BOTTOM CLOSURE	HOOD ASSEMBLY	1
4	J-HOOD-CS-4.5X8 BACK PLATE	MOUNTING PLATE	1
5	J-HOOD-CS-4.5X8 HOOK	MOUNTING HOOK	1
6	--	6-32 X 1/2" PAN HEAD SECURITY SCREW	2



UNLESS OTHERWISE SPECIFIED:

DIMENSIONS ARE IN INCHES
TOLERANCES:
FRACTIONAL $\pm 1/32$
ANGULAR: $\pm 2^\circ$
TWO PLACE DECIMAL ± 0.010
THREE PLACE DECIMAL ± 0.005

INTERPRET GEOMETRIC
TOLERANCING PER:
ASME Y14.5 -2009

NAME DATE

DRAWN

CHECKED

PROPRIETARY AND CONFIDENTIAL

THE INFORMATION CONTAINED IN THIS
DRAWING IS THE SOLE PROPERTY OF
PEDESTALPRO LLC. ANY REPRODUCTION
IN PART OR AS A WHOLE WITHOUT THE
WRITTEN PERMISSION OF PEDESTALPRO LLC
IS PROHIBITED.

TITLE:

ASSEMBLY

Thursday, September
13, 2018 1:05:51 PM

WEIGHT: 2.556

SIZE
A

PART NO.

J-HOOD-CS-4.5X8

REV
0

NO SCALE

SHEET 2 OF 8

PEDESTALPRO.COM
1-800-660-3072