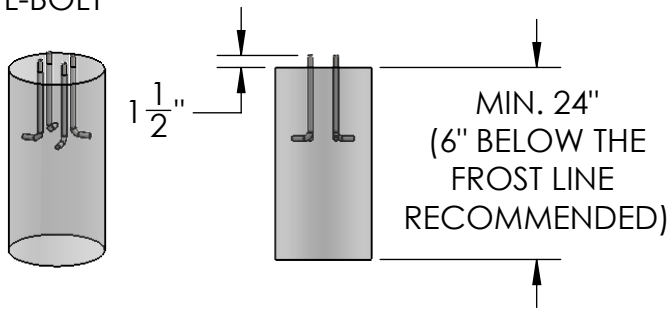
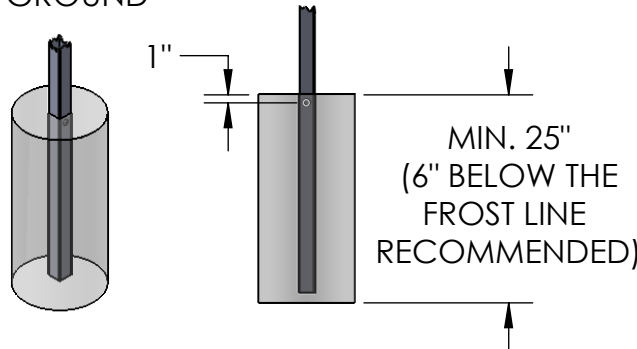


POURED CONCRETE METHODS:

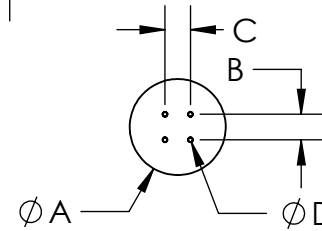
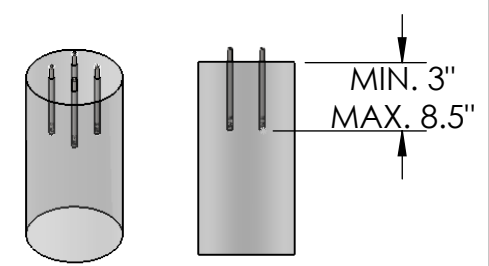
L-BOLT



IN-GROUND



EXISTING CONCRETE METHOD:  
WEDGE ANCHOR



NOTES:

- DESIGNED TO USE SONOTUBE COMMERCIAL CONCRETE FORMS. CONCRETE POURED DIRECTLY INTO A BARE EXCAVATED HOLE IS ALSO ACCEPTABLE.
- DIMENSIONS OF "B" AND "C" ARE FOR REFERENCE, PLEASE CHECK PRODUCT DATA SHEET FOR CURRENT MOUNTING HOLES BEFORE INSTALLATION.

| BASE PLATE SIZE | IN-GROUND TUBE SIZE | SONOTUBE MOUNT | SLAB MOUNT | "A" (SONOTUBE DIAMETER) | "B" (MOUNTING ANCHOR SPACING WIDTH) | "C" (MOUNTING ANCHOR SPACING LENGTH) | "D" (ANCHOR SIZE) |
|-----------------|---------------------|----------------|------------|-------------------------|-------------------------------------|--------------------------------------|-------------------|
| 4X4             | --                  | YES            | YES        | 8"                      | 2"                                  | 2"                                   | 1/2"              |
| 4X6             | --                  | YES            | YES        | 8"                      | 2"                                  | 4"                                   | 1/2"              |
| 5X5             | --                  | YES            | YES        | 10"                     | 3"                                  | 3"                                   | 1/2"              |
| 8X8             | --                  | YES            | NO         | 12"                     | 6-1/2"                              | 6-1/2"                               | 5/8"              |
| 12X12           | --                  | YES            | NO         | 16"                     | 10"                                 | 10"                                  | 5/8"              |
| 16X16           | --                  | YES            | NO         | 30"-- MIN. DEPTH OF 36" | 14.25"                              | 14.25"                               | 5/8"              |
| --              | 2X2                 | YES            | NO         | 6"                      | --                                  | --                                   | --                |
| --              | 3X3                 | YES            | NO         | 8"                      | --                                  | --                                   | --                |
| --              | 4X4                 | YES            | NO         | 10"                     | --                                  | --                                   | --                |



PEDESTALPRO.COM  
1-800-660-3072

UNLESS OTHERWISE SPECIFIED:

DIMENSIONS ARE IN INCHES  
TOLERANCES:  
FRACTIONAL: ± 1/32  
ANGULAR: ± 2°  
TWO PLACE DECIMAL ± 0.010  
THREE PLACE DECIMAL ± 0.005

INTERPRET GEOMETRIC TOLERANCING PER: ASME Y14.5 - 2009

|         |      |
|---------|------|
| NAME    | DATE |
| DRAWN   |      |
| CHECKED |      |

**PROPRIETARY AND CONFIDENTIAL**  
THE INFORMATION CONTAINED IN THIS DRAWING IS THE SOLE PROPERTY OF PEDESTALPRO LLC. ANY REPRODUCTION IN PART OR AS A WHOLE WITHOUT THE WRITTEN PERMISSION OF PEDESTALPRO LLC IS PROHIBITED.

TITLE:  
**ANCHOR PROC.**

Tuesday, October 17, 2023 11:49:48 AM

WEIGHT:

SIZE **A** PART NO. ANCHOR PROCEDURE NEW NO SCALE

REV **A**

SHEET 1 OF 1