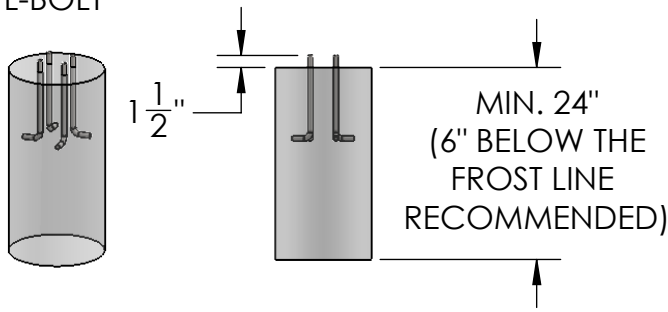
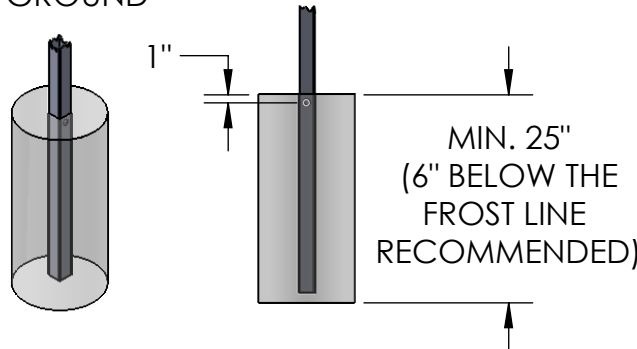


POURED CONCRETE METHODS:

L-BOLT



IN-GROUND

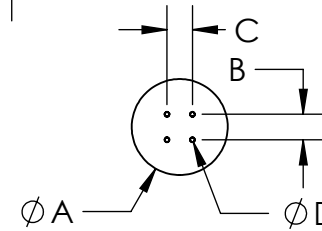


EXISTING CONCRETE METHOD:  
WEDGE ANCHOR



NOTES:

- DESIGNED TO USE SONOTUBE COMMERCIAL CONCRETE FORMS. CONCRETE POURED DIRECTLY INTO A BARE EXCAVATED HOLE IS ALSO ACCEPTABLE.
- DIMENSIONS OF "B" AND "C" ARE FOR REFERENCE, PLEASE CHECK PRODUCT DATA SHEET FOR CURRENT MOUNTING HOLES BEFORE INSTALLATION.



BASE PLATE SIZE	IN-GROUND TUBE SIZE	SONOTUBE MOUNT	SLAB MOUNT	"A" (SONOTUBE DIAMETER)	"B" (MOUNTING ANCHOR SPACING WIDTH)	"C" (MOUNTING ANCHOR SPACING LENGTH)	"D" (ANCHOR SIZE)
4X4	--	YES	YES	8"	2"	2"	1/2"
4X6	--	YES	YES	8"	2"	4"	1/2"
5X5	--	YES	YES	10"	3"	3"	1/2"
8X8	--	YES	NO	12"	6-1/2"	6-1/2"	5/8"
12X12	--	YES	NO	16"	10"	10"	5/8"
16X16	--	YES	NO	30"-- MIN. DEPTH OF 36"	14.25"	14.25"	5/8"
--	2X2	YES	NO	6"	--	--	--
--	3X3	YES	NO	8"	--	--	--
--	4X4	YES	NO	10"	--	--	--



PEDESTALPRO.COM  
1-800-660-3072

UNLESS OTHERWISE SPECIFIED:

DIMENSIONS ARE IN INCHES  
TOLERANCES:  
FRACTIONAL: ± 1/32  
ANGULAR: ± 2°  
TWO PLACE DECIMAL ± 0.010  
THREE PLACE DECIMAL ± 0.005

INTERPRET GEOMETRIC TOLERANCING PER: ASME Y14.5 - 2009

NAME	DATE
DRAWN	
CHECKED	

**PROPRIETARY AND CONFIDENTIAL**  
THE INFORMATION CONTAINED IN THIS DRAWING IS THE SOLE PROPERTY OF PEDESTALPRO LLC. ANY REPRODUCTION IN PART OR AS A WHOLE WITHOUT THE WRITTEN PERMISSION OF PEDESTALPRO LLC IS PROHIBITED.

TITLE:  
**ANCHOR PROC.**

Tuesday, October 17, 2023 11:49:48 AM

WEIGHT:

SIZE <b>A</b>	PART NO. ANCHOR PROCEDURE NEW NO SCALE
------------------	---

REV  
**A**

SHEET 1 OF 1