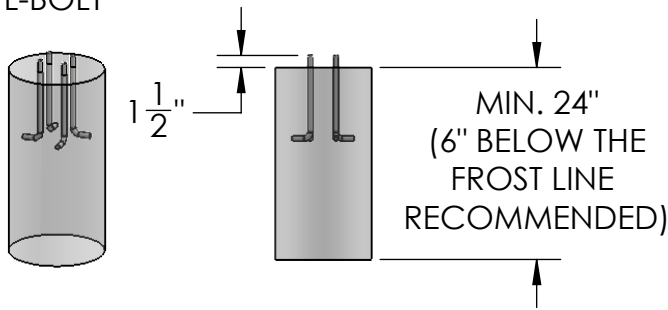
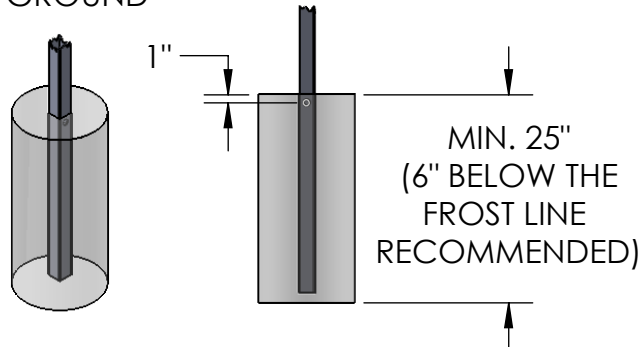


POURED CONCRETE METHODS:

L-BOLT



IN-GROUND

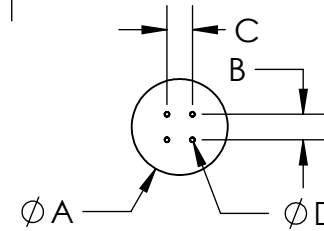


EXISTING CONCRETE METHOD:
WEDGE ANCHOR



NOTES:

- DESIGNED TO USE SONOTUBE COMMERCIAL CONCRETE FORMS. CONCRETE POURED DIRECTLY INTO A BARE EXCAVATED HOLE IS ALSO ACCEPTABLE.
- DIMENSIONS OF "B" AND "C" ARE FOR REFERENCE, PLEASE CHECK PRODUCT DATA SHEET FOR CURRENT MOUNTING HOLES BEFORE INSTALLATION.



| BASE PLATE SIZE | IN-GROUND TUBE SIZE | SONOTUBE MOUNT | SLAB MOUNT | "A" (SONOTUBE DIAMETER) | "B" (MOUNTING ANCHOR SPACING WIDTH) | "C" (MOUNTING ANCHOR SPACING LENGTH) | "D" (ANCHOR SIZE) |
|-----------------|---------------------|----------------|------------|-------------------------|-------------------------------------|--------------------------------------|-------------------|
| 4X4 | -- | YES | YES | 8" | 2" | 2" | 1/2" |
| 4X6 | -- | YES | YES | 8" | 2" | 4" | 1/2" |
| 5X5 | -- | YES | YES | 10" | 3" | 3" | 1/2" |
| 8X8 | -- | YES | NO | 12" | 6-1/2" | 6-1/2" | 5/8" |
| 12X12 | -- | YES | NO | 16" | 10" | 10" | 5/8" |
| 16X16 | -- | YES | NO | 30"-- MIN. DEPTH OF 36" | 14.25" | 14.25" | 5/8" |
| -- | 2X2 | YES | NO | 6" | -- | -- | -- |
| -- | 3X3 | YES | NO | 8" | -- | -- | -- |
| -- | 4X4 | YES | NO | 10" | -- | -- | -- |



PEDESTALPRO.COM
1-800-660-3072

UNLESS OTHERWISE SPECIFIED:

DIMENSIONS ARE IN INCHES
TOLERANCES:
FRACTIONAL: ± 1/32
ANGULAR: ± 2°
TWO PLACE DECIMAL ± 0.010
THREE PLACE DECIMAL ± 0.005

INTERPRET GEOMETRIC TOLERANCING PER: ASME Y14.5 - 2009

| | |
|---------|------|
| NAME | DATE |
| DRAWN | |
| CHECKED | |

PROPRIETARY AND CONFIDENTIAL
THE INFORMATION CONTAINED IN THIS DRAWING IS THE SOLE PROPERTY OF PEDESTALPRO LLC. ANY REPRODUCTION IN PART OR AS A WHOLE WITHOUT THE WRITTEN PERMISSION OF PEDESTALPRO LLC IS PROHIBITED.

TITLE:
ANCHOR PROC.

Tuesday, October 17, 2023 11:49:48 AM

WEIGHT:

| | |
|----------|------------------|
| SIZE | PART NO. |
| A | ANCHOR PROCEDURE |
| | NEW |
| | NO SCALE |

REV
A

SHEET 1 OF 1