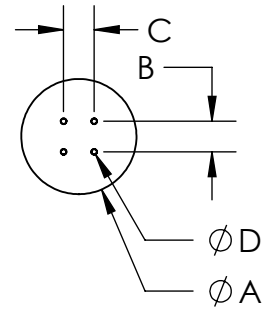
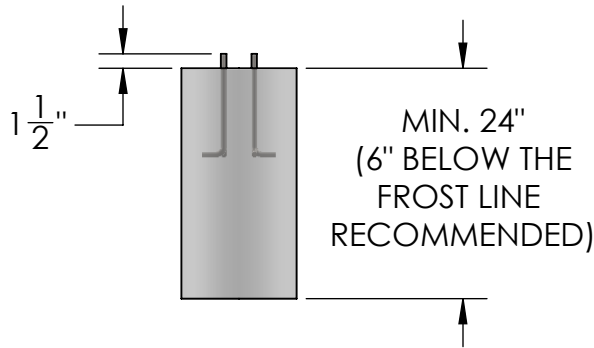
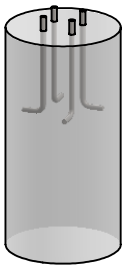


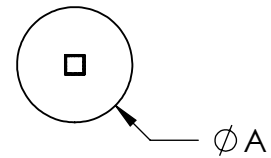
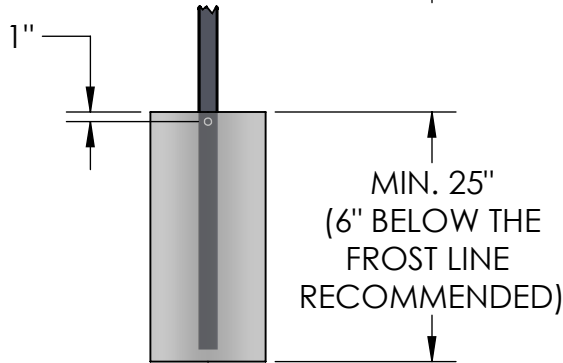
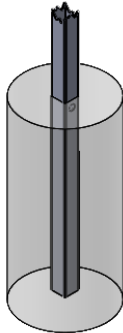
ANCHOR PROCEDURE

POURED CONCRETE METHODS:

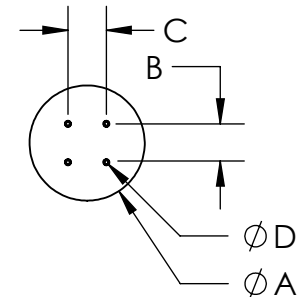
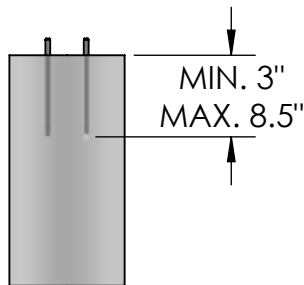
L-BOLT



IN-GROUND



EXISTING CONCRETE METHOD: WEDGE ANCHOR



BASE PLATE SIZE	TUBE SIZE	"A"	"B"	"C"	"D"
4X4	--	8	2	2	1/2
4X6	--	8	2	4	1/2
5X5	--	10	3	3	1/2
8X8	--	12	6 1/2	6 1/2	5/8
12X12	--	16	10	10	5/8
--	2X2	6	--	--	--
--	3X3	8	--	--	--
--	4X4	10	--	--	--

NOTES:

- DESIGNED TO USE SONOTUBE COMMERCIAL CONCRETE FORMS. CONCRETE POURED DIRECTLY INTO A BARE EXCAVATED HOLE IS ALSO ACCEPTABLE.
- DIMENSIONS OF "B" AND "C" ARE FOR REFERENCE, PLEASE CHECK PRODUCT DATA SHEET FOR CURRENT MOUNTING HOLES BEFORE INSTALLATION.



PEDESTALPRO.COM
1-800-660-3072

UNLESS OTHERWISE SPECIFIED:

DIMENSIONS ARE IN INCHES
TOLERANCES:
FRACTIONAL: $\pm 1/32$
ANGULAR: $\pm 2^\circ$
TWO PLACE DECIMAL ± 0.010
THREE PLACE DECIMAL ± 0.005

INTERPRET GEOMETRIC TOLERANCING PER: ASME Y14.5 -2009

NAME _____ DATE _____
DRAWN _____
CHECKED _____

PROPRIETARY AND CONFIDENTIAL
THE INFORMATION CONTAINED IN THIS DRAWING IS THE SOLE PROPERTY OF PEDESTALPRO LLC. ANY REPRODUCTION IN PART OR AS A WHOLE WITHOUT THE WRITTEN PERMISSION OF PEDESTALPRO LLC IS PROHIBITED.

TITLE:

ANCHOR PROC.

PART NO.

ANCHOR PROCEDURE

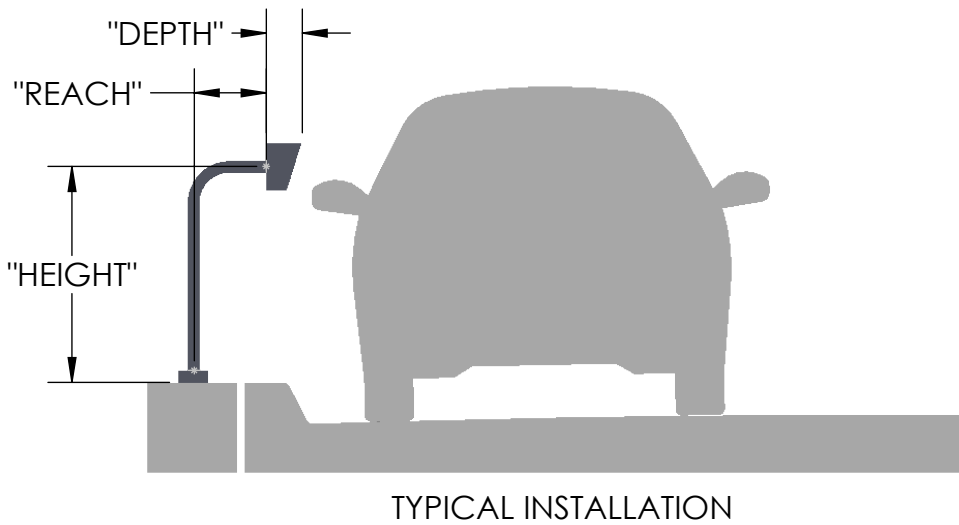
NO SCALE

REV

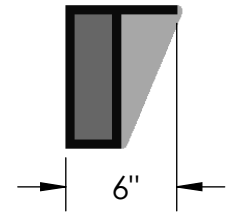
0

SHEET 1 OF 1

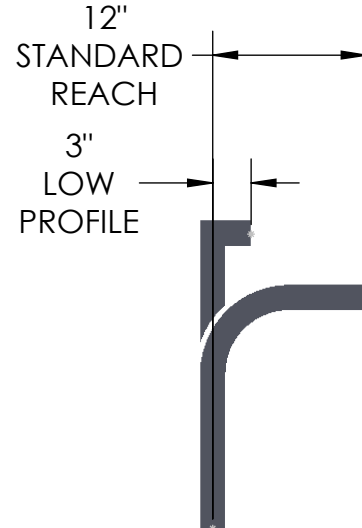
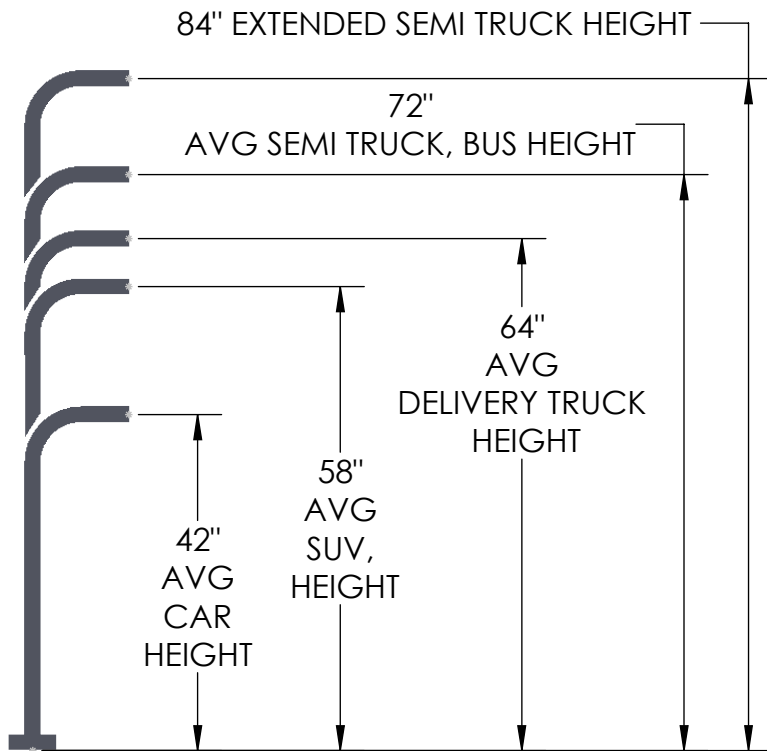
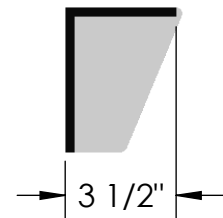
MOUNTING CRITERIA



STANDARD HOUSING DEPTH



STANDARD HOOD DEPTH



PEDESTALPRO.COM
1-800-660-3072

UNLESS OTHERWISE SPECIFIED:

DIMENSIONS ARE IN INCHES
TOLERANCES:
FRACTIONAL: $\pm 1/32$
ANGULAR: $\pm 2^\circ$
TWO PLACE DECIMAL ± 0.010
THREE PLACE DECIMAL ± 0.005

INTERPRET GEOMETRIC TOLERANCING PER: ASME Y14.5 -2009

NAME DATE

DRAWN

CHECKED

PROPRIETARY AND CONFIDENTIAL

THE INFORMATION CONTAINED IN THIS DRAWING IS THE SOLE PROPERTY OF PEDESTALPRO LLC. ANY REPRODUCTION IN PART OR AS A WHOLE WITHOUT THE WRITTEN PERMISSION OF PEDESTALPRO LLC IS PROHIBITED.

TITLE:

MOUNTING CRITERIA

PART NO.

MOUNTING CRITERIA

NO SCALE

REV

0

SHEET 1 OF 1