

### PRODUCT FEATURES

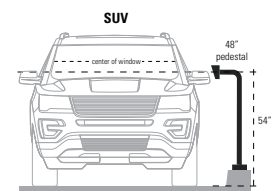
- In-ground/wet cement for cars and trucks
- Universal design
- Heavy duty materials
- Steel construction
- Black wrinkle powder coating w/ UV protection
- NDAA, Buy American, or USMCA/CUSMA compliant
- Build To Order (BTO)
- Available direct or through distribution
- ADA compliant

### CUSTOM OPTIONS

- Shorten or extend neck reach
- Shorten or extend height
- Customize face plate or base plate
- Readily available powder coating colors (white, yellow, bronze, gray, silver)
- Choose any RAL powder color

### DESCRIPTION

A heavy duty, in-ground, car-height pedestal for mounting access control devices at gates. Holds the heaviest telephone entry systems sturdy in the wind. Place in the ground or wet cement. Bury the post in the ground 24"-30" to achieve variable device heights between 42"-48".



Download Vehicle Height Chart for more details

### RECOMMENDED ACCESSORIES

HOUSING



Lando-CS-20x14-E

HOUSING



MC-PC-14-E-BLK

HOUSING



Lando-PC-20x16-E-BLK

BUFFER PLATE

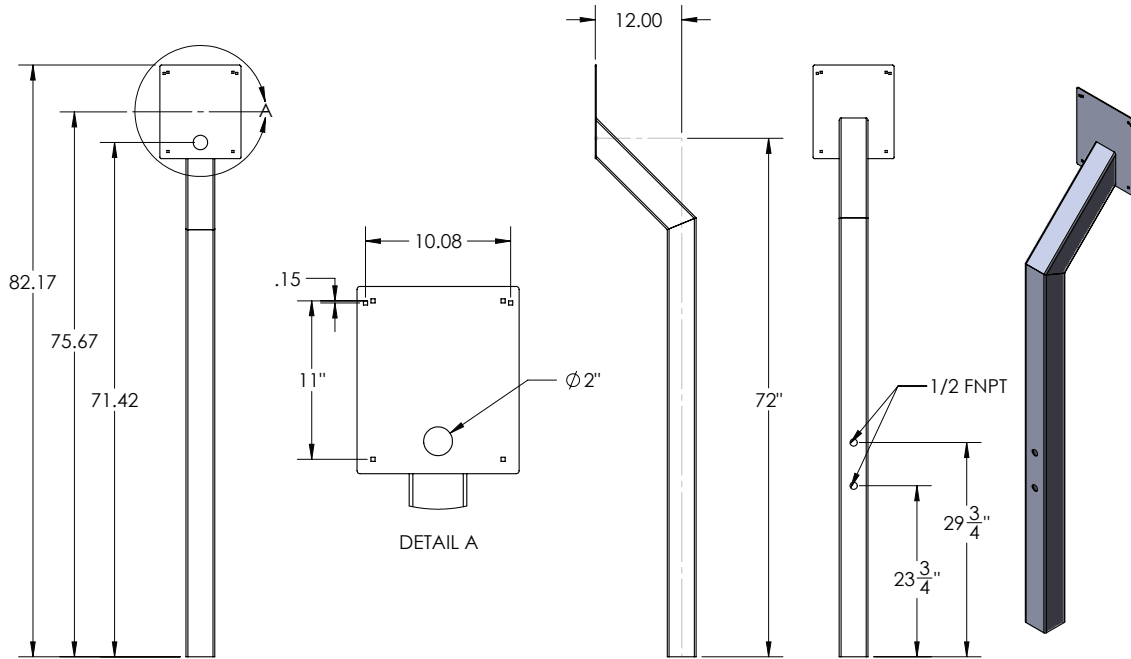


CS-ABP-1212

SHIM KIT



Shim-Kit-001



**NOTE:** CAD drawing available online.  
Scan for more detail.



**DATA & SPECS**

|                  |   |
|------------------|---|
| Product Style    | Gooseneck   |
| Material         | Steel   |
| Tube             | 4" x 4" x .120" wall, steel                                 |
| Face Plate       | .125" (11 gauge)  |
| Base Plate       | n/a   |
| Cover Plate      | n/a   |
| Mounting Method  | In-ground, wet cement                                       |
| Pretreatment     | High pressure/high temperature phosphate wash and rinse     |
| Finish           | Black wrinkle powder coating (TGIC outdoor polyester)       |
| UV Protection    | Yes   |
| Hardware         | 1/4-20 carriage bolts and nuts (qty 4 each, zinc plated)    |
| Packaging        | Foam wrapped and boxed individually                         |
| Package Size     | 77 x 15 x 10  |
| Weight           | 55 lbs  |
| Shipping Method  | UPS, FedEx, or LTL freight                                  |
| Compliance       | NDA, Buy American, or USMCA/CUSMA (see website for details) |
| Warranty         | 1 year limited (see website for details)                    |
| Inventory Status | Build To Order (Fast Track production is available)         |

**SIMILAR PRODUCTS**

