

PRODUCT FEATURES

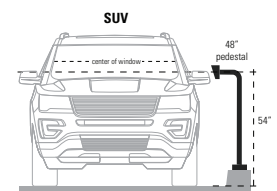
- Single height for cars and pedestrians
- Universal design
- Heavy duty materials
- Steel construction
- Black wrinkle powder coating w/ UV protection
- NDAA, Buy American, or USMCA/CUSMA compliant
- In-stock, ready-to-ship
- Available direct or through distribution
- ADA compliant

CUSTOM OPTIONS

- Shorten or extend height
- Customize face plate or base plate
- Readily available powder coating colors (white, yellow, bronze, gray, silver)
- Choose any RAL powder color

DESCRIPTION

A heavy duty bollard to hold entry/exit buttons, ADA actuators, card readers, and more. Standing 48" tall, this pedestal is perfectly suited to accommodate most cars and pedestrians.



Download Vehicle Height Chart for more details

RECOMMENDED ACCESSORIES

BOLT KIT



Stud-Anchor-625

BOLT KIT



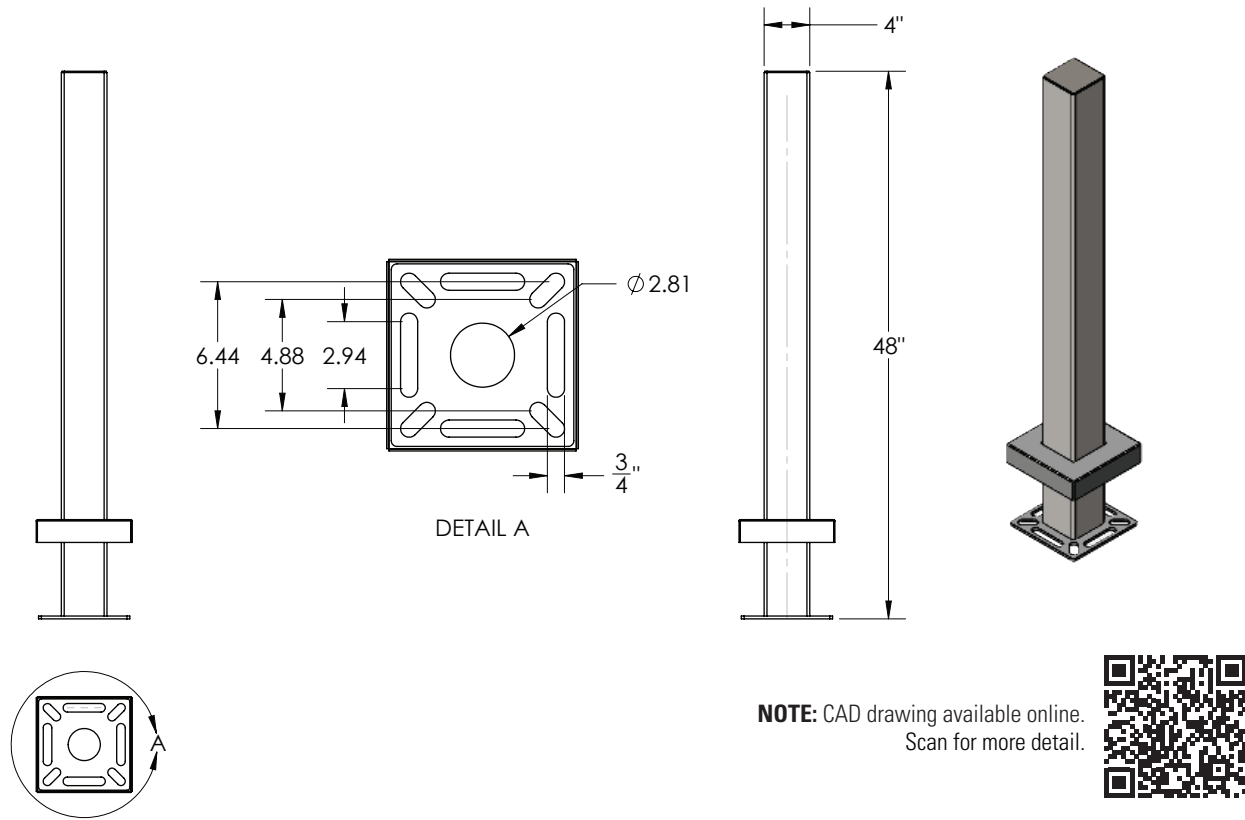
L-Bolt-625

SHIM KIT



Shim-Kit-001

Model No. **HD-BLACK-TOWER**



DATA & SPECS

Product Style	Bollard
Material	Steel
Tube	4" x 4" x .120" wall, steel
Face Plate	.125" (11 gauge)
Base Plate	.25" plate
Cover Plate	.074" (14 gauge)
Mounting Method	Pad mount
Pretreatment	High pressure/high temperature phosphate wash and rinse
Finish	Black wrinkle powder coating (TGIC outdoor polyester)
UV Protection	Yes
Hardware	None
Packaging	Foam wrapped and boxed individually
Package Size	50 x 15 x 10
Weight	35 lbs
Shipping Method	UPS, FedEx, or LTL freight
Compliance	NDA, Buy American, or USMCA/CUSMA (see website for details)
Warranty	1 year limited (see website for details)
Inventory Status	In-Stock (inventory levels viewable for registered users on pedestalpro.com)

SIMILAR PRODUCTS

