

PRODUCT FEATURES

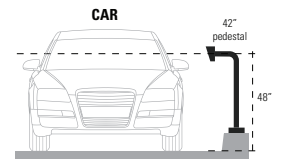
- Single height for cars and pedestrians
- Universal design
- Heavy duty materials
- Steel construction
- Black wrinkle powder coating w/ UV protection
- NDAA, Buy American, or USMCA/CUSMA compliant
- In-stock, ready-to-ship
- Available direct or through distribution
- ADA compliant

CUSTOM OPTIONS

- Shorten or extend neck reach
- Shorten or extend height
- Customize face plate or base plate
- Readily available powder coating colors (white, yellow, bronze, gray, silver)
- Choose any RAL powder color

DESCRIPTION

The heaviest-duty, single-height, card reader pedestal in the security industry. Holds the heaviest telephone entry systems sturdy in the wind. Standing 42" tall, this pedestal is perfectly suited to accommodate gate access for most cars and pedestrians.

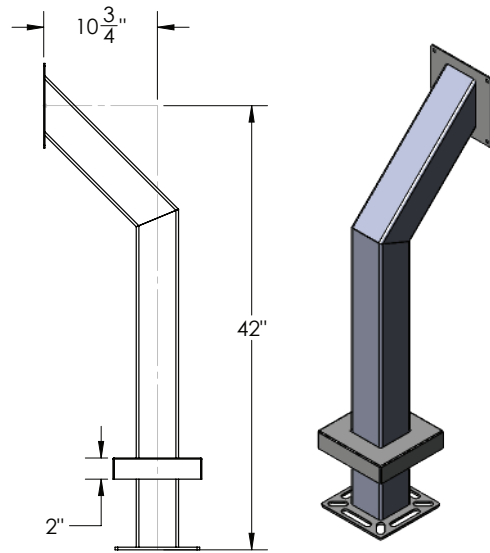
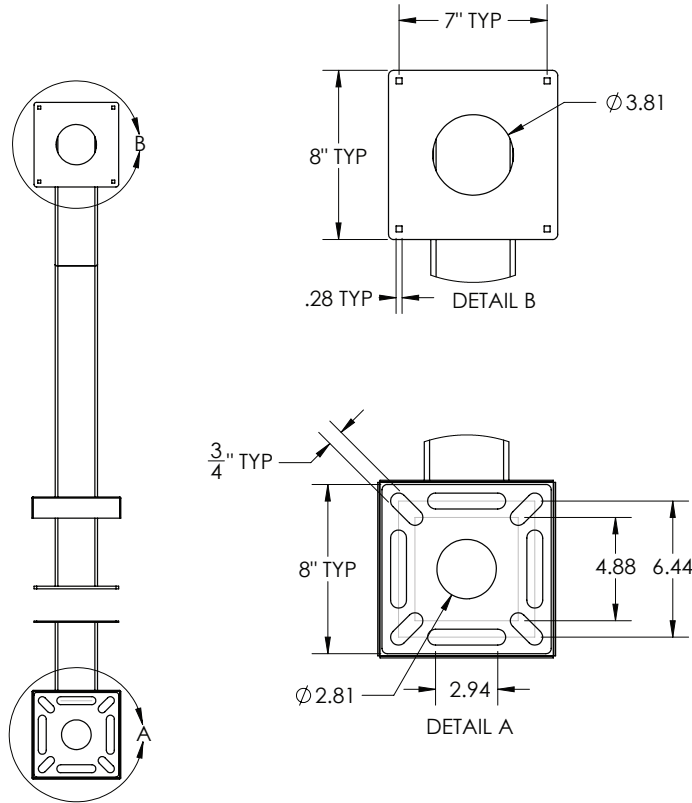


Download Vehicle Height Chart for more details

RECOMMENDED ACCESSORIES

BOLT KIT  Stud-Anchor-625	BOLT KIT  L-Bolt-625	HOOD  Hood-CS-14x14	HOUSING  Lando-CS-20x14-E	BUFFER PLATE  CS-ABP-1212	SHIM KIT  Shim-Kit-001	NECK EXTENSION  12-EXT-4
---	--	---	---	---	--	--

NOTE: Real time inventory levels are viewable for registered users on pedestalpro.com



NOTE: CAD drawing available online.
Scan for more detail.



DATA & SPECS

Product Style	Gooseneck
Material	Steel
Tube	4" x 4" x .120" wall, steel
Face Plate	.125" (11 gauge)
Base Plate	.25" plate
Cover Plate	.074" (14 gauge)
Mounting Method	Pad mount
Pretreatment	High pressure/high temperature phosphate wash and rinse
Finish	Black wrinkle powder coating (TGIC outdoor polyester)
UV Protection	Yes
Hardware	1/4-20 carriage bolts and nuts (qty 4 each, zinc plated)
Packaging	Foam wrapped and boxed individually
Package Size	50 x 15 x 13
Weight	45 lbs
Shipping Method	UPS, FedEx, or LTL freight
Compliance	NDA, Buy American, or USMCA/CUSMA (see website for details)
Warranty	1 year limited (see website for details)
Inventory Status	In-Stock (inventory levels viewable for registered users on pedestalpro.com)

SIMILAR PRODUCTS

