

## PRODUCT FEATURES

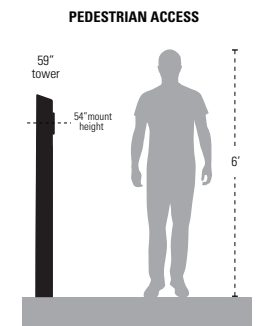
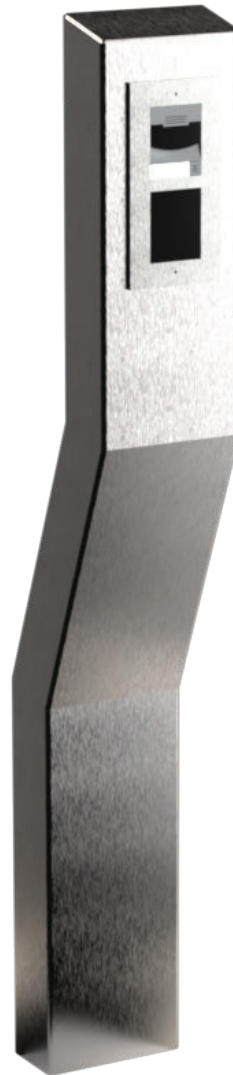
- Fits 2N IP Verso
- Luxury aesthetics
- Antimicrobial surface
- Universal design
- Heavy duty materials
- Stainless steel construction
- Brushed #4 (180 grit)
- NDAA, Buy American, or USMCA/CUSMA compliant
- Build To Order (BTO)
- Available direct or through distribution
- ADA compliant

## CUSTOM OPTIONS

- Customize device cutout
- Shorten or extend height
- Readily available powder coating colors (white, yellow, bronze, gray, silver)
- Choose any RAL powder color
- Change material to #316 stainless

## DESCRIPTION

A stunning z-style bollard for 2N IP Verso intercom in high end decor lobbies and entryways. Standing approximately 54" tall, this remarkable pedestal comes with a custom cutout for 2N IP Verso with a guaranteed fit.



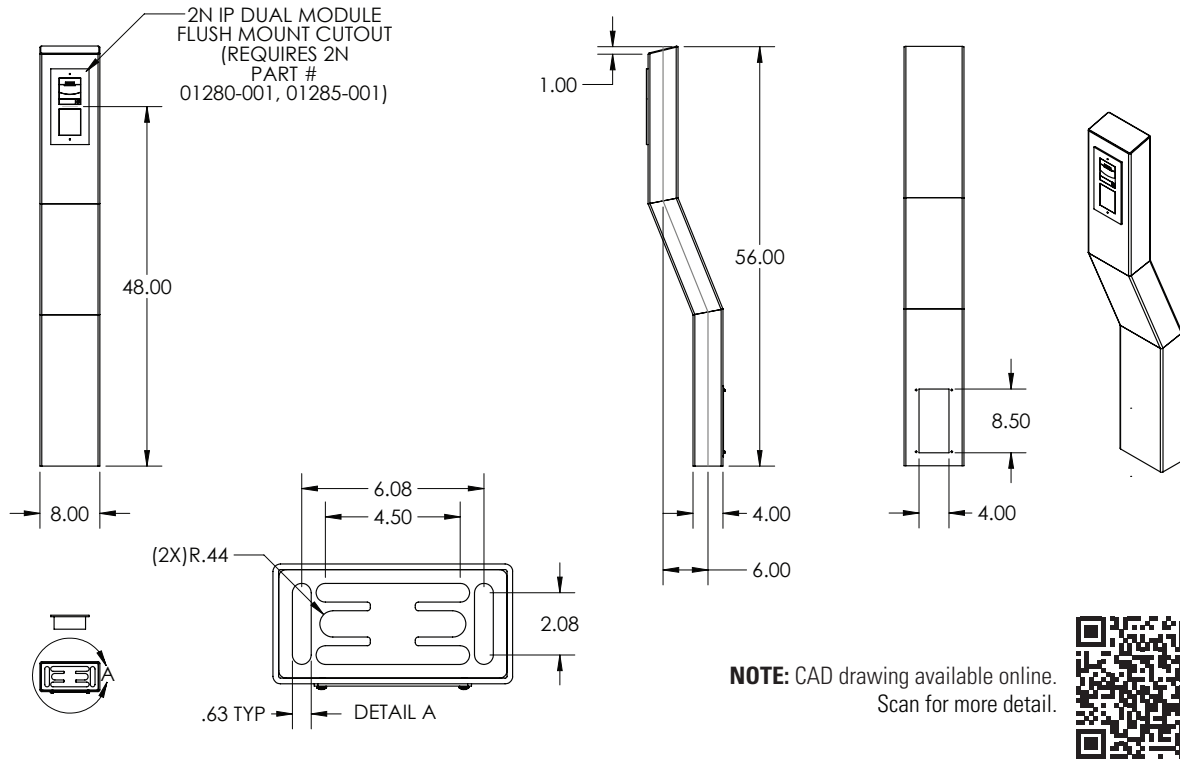
Download Pedestrian Height Chart for more details

## RECOMMENDED ACCESSORIES

<p><b>BOLT KIT</b></p> <p>Stud-Anchor-500</p>	<p><b>BOLT KIT</b></p> <p>L-Bolt-500</p>	<p><b>HEATER</b></p> <p>ACC-HEA-001-304</p>	<p><b>COOLING FAN</b></p> <p>ACC-FAN-001-304</p>	<p><b>SHIM KIT</b></p> <p>Shim-Kit-001</p>
---	--	---	--	--

**NOTE:** Real time inventory levels are viewable for registered users on pedestalpro.com

Model No. **84TOW-2NIP-01-304**



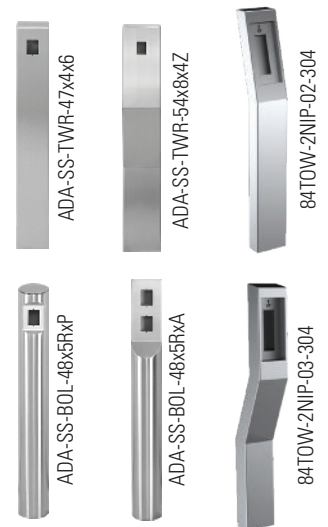
**NOTE:** CAD drawing available online. Scan for more detail.



**DATA & SPECS**

Product Style	Bollard
Material	#304 Stainless steel
Tube	4" x 8" x .120" wall, stainless steel #304
Face Plate	n/a
Base Plate	.25" plate, stainless steel #304
Cover Plate	.0749" (14 gauge) stainless steel #304
Mounting Method	Pad mount
Pretreatment	n/a
Finish	Brushed #4 (180 grit) with mirrored corner radiuses
UV Protection	n/a
Hardware	none
Packaging	Foam wrapped and boxed individually
Package Size	58 x 8 x 8
Weight	85 lbs
Shipping Method	UPS, FedEx, or LTL freight
Compliance	NDAA, Buy American, or USMCA/CUSMA (see website for details)
Warranty	1 year limited (see website for details)
Inventory Status	Build To Order (Fast Track production is available)

**SIMILAR PRODUCTS**



2N(R) is a registered trademark of Axis Communications, Inc. Pedestal PRO does not represent this brand. Use of trademark does not imply any affiliation with or endorsement by trademark owner. Refer to their website for more detailed information. Any device shown is not included in a purchase from Pedestal PRO. Pedestal PRO product features and dimensions are subject to change at any time. Check pedestalpro.com for current information.

