

# VR5T

## Voltage Regulator

Altronix VR5T converts a 24VAC or 24VDC input into a regulated 12VDC output. It provides power for 12VDC CCTV cameras and accessories, fiber optic transmitters, REX PIR's, Prox Readers, etc. Quick release terminals facilitate ease of wiring. Compact design allows for integration in a wide range of camera housings.



VR5T

### Specifications

#### Input

Voltage 24VAC or 24VDC

#### Output

Voltage 12VDC  
 Current 3A continuous supply current  
 Other Built-in overload protection  
 Filtered and regulated

#### Indicators (LED)

Input LED

#### Agency Listings

CE European Conformity

#### Physical and Environmental

##### Dimensions (L x W x H)

2.5" x 3.8" x 1" (64mm x 97mm x 25mm).

Product Weight 0.14 lb. (0.06 kg)

Shipping Weight 0.3 lb. (0.14 kg)

##### Temperature

Operating (>1A output) -20°C to 49°C (-4°F to 120°F)

Operating (1A output) -20°C to 60°C (-4°F to 140°F)

Storage -20°C to 70°C (-4°F to 158°F)

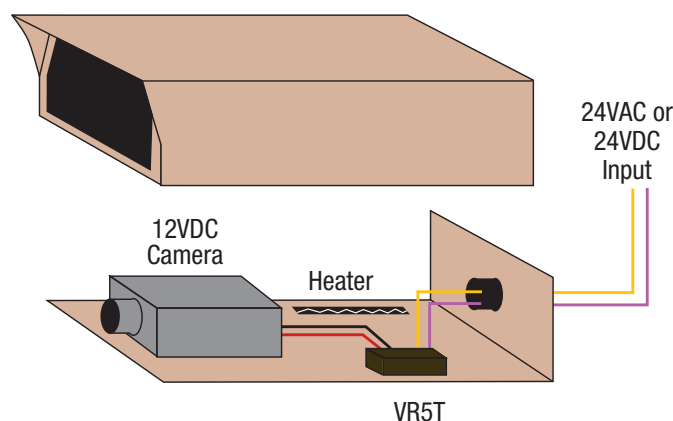
Relative Humidity 85% +/-5%.

BTU/Hr. (approx.): 18 BTU/Hr.

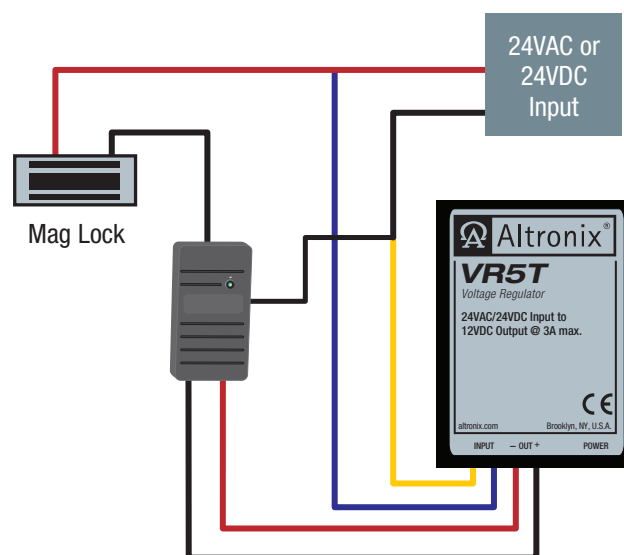
### Typical Operation Diagrams

Power for 12VDC CCTV cameras and accessories, Fiber Optic Transmitters, REX PIR's, Prox Readers, etc.

#### CCTV Applications:



#### Access Control Applications:



#### Lifetime Warranty