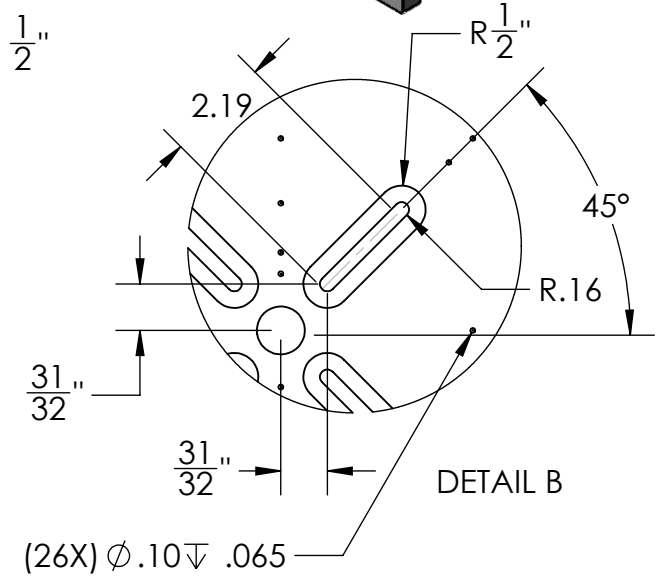
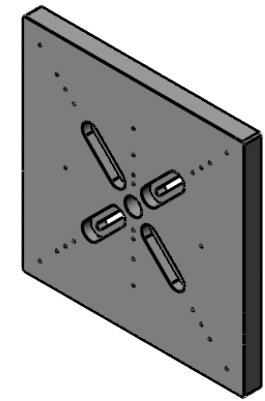
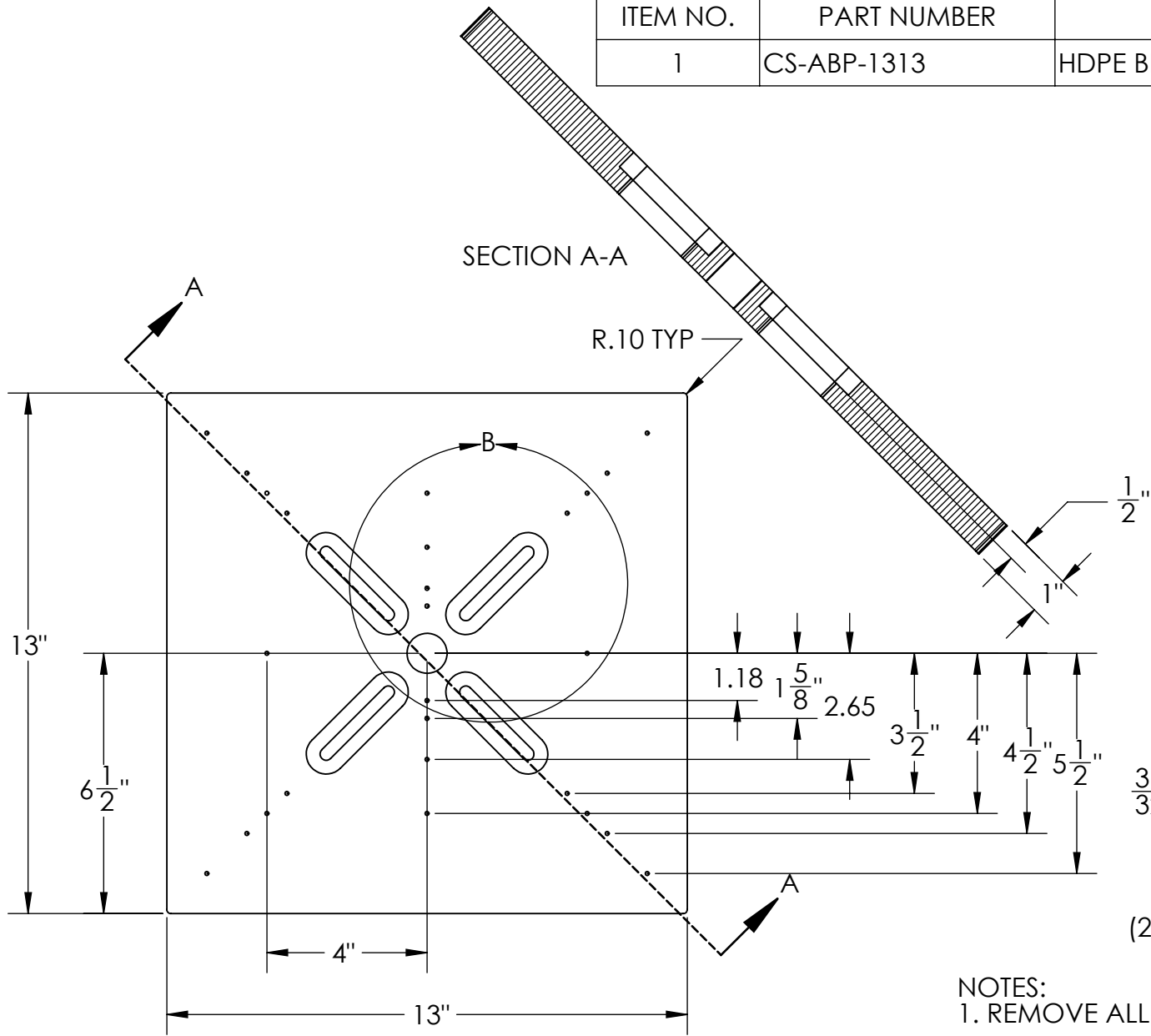


ITEM NO.	PART NUMBER	DESCRIPTION	QTY.
1	CS-ABP-1313	HDPE BLACK	1



NOTES:
1. REMOVE ALL BURRS AND SHARP EDGES.



PEDESTALPRO.COM
1-800-660-3072

UNLESS OTHERWISE SPECIFIED:
DIMENSIONS ARE IN INCHES
TOLERANCES:
FRACTIONAL $\pm 1/32$
ANGULAR: $\pm 2^\circ$
TWO PLACE DECIMAL ± 0.010
THREE PLACE DECIMAL ± 0.005
INTERPRET GEOMETRIC TOLERANCING PER: ASME Y14.5 -2009

NAME	DATE

DRAWN

CHECKED

PROPRIETARY AND CONFIDENTIAL

THE INFORMATION CONTAINED IN THIS DRAWING IS THE SOLE PROPERTY OF PEDESTALPRO LLC. ANY REPRODUCTION IN PART OR AS A WHOLE WITHOUT THE WRITTEN PERMISSION OF PEDESTALPRO LLC IS PROHIBITED.

TITLE:
BUFFER PLATE

Thursday, May 3, 2018
2:26:14 PM

WEIGHT:

SIZE	PART NO.	REV
A	CS-ABP-1313	A

NO SCALE

SHEET 1 OF 1