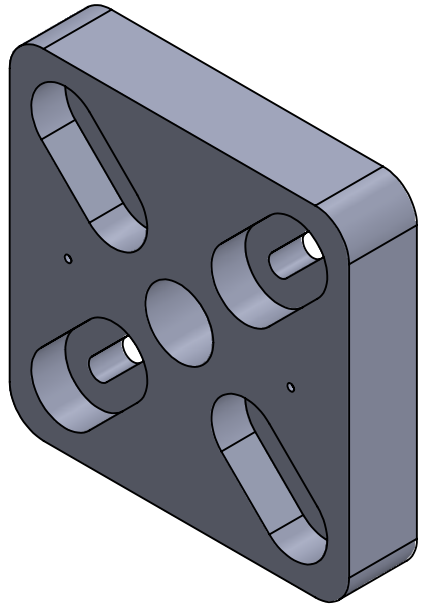
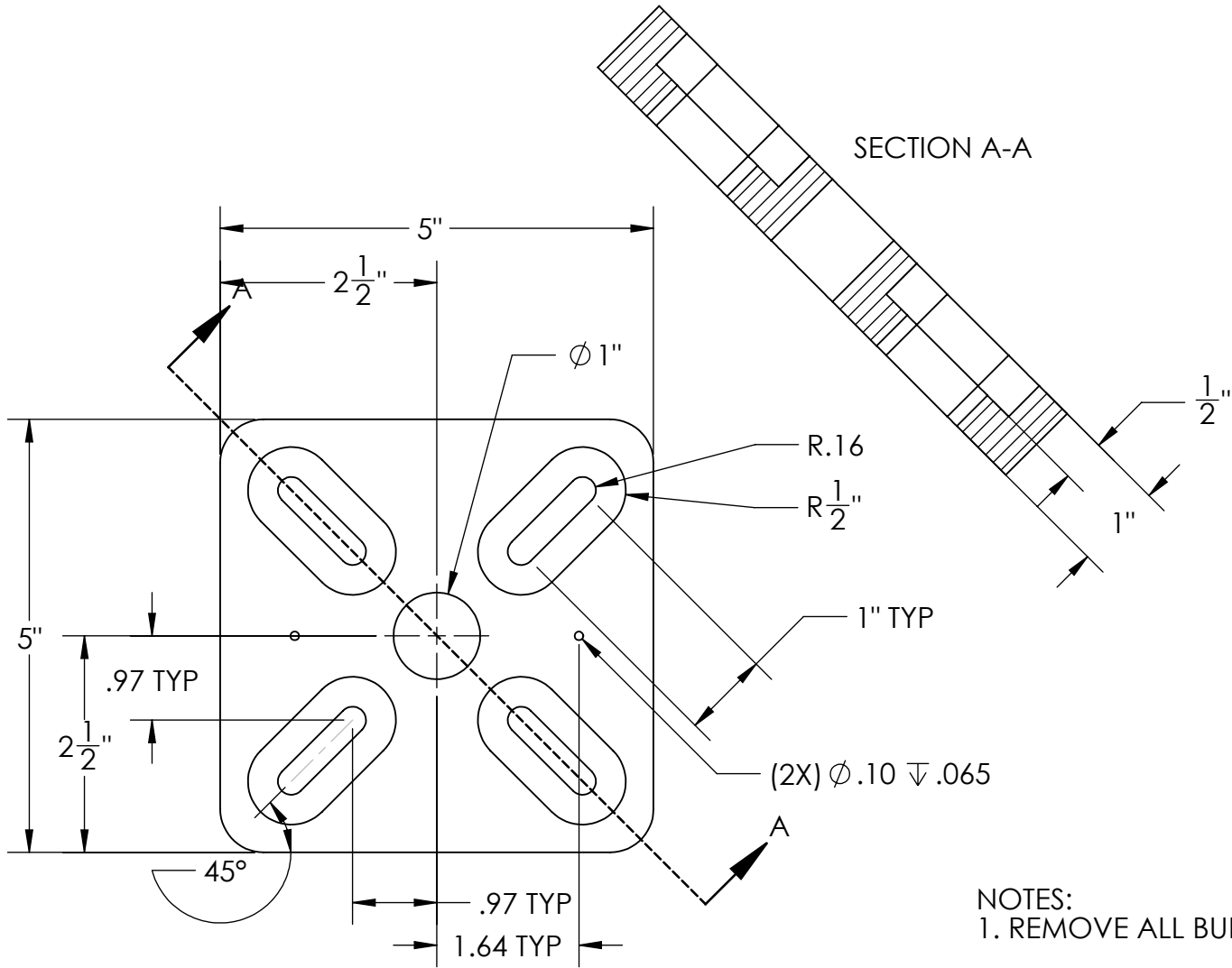


ITEM NO.	PART NUMBER	DESCRIPTION	QTY.
1	CS-ABP-0505	HDPE BLACK	1



NOTES:  
1. REMOVE ALL BURRS AND SHARP EDGES.



PEDESTALPRO.COM  
1-800-660-3072

UNLESS OTHERWISE SPECIFIED:  
DIMENSIONS ARE IN INCHES  
TOLERANCES:  
FRACTIONAL: ± 1/32  
ANGULAR: ± 2°  
TWO PLACE DECIMAL: ± 0.010  
THREE PLACE DECIMAL: ± 0.005  
INTERPRET GEOMETRIC TOLERANCING PER: ASME Y14.5 -2009

NAME	DATE
DRAWN	
CHECKED	

**PROPRIETARY AND CONFIDENTIAL**  
THE INFORMATION CONTAINED IN THIS DRAWING IS THE SOLE PROPERTY OF PEDESTALPRO LLC. ANY REPRODUCTION IN PART OR AS A WHOLE WITHOUT THE WRITTEN PERMISSION OF PEDESTALPRO LLC IS PROHIBITED.

TITLE:  
**BUFFER PLATE**  
Thursday, May 3, 2018  
2:26:14 PM  
WEIGHT:

SIZE <b>A</b>	PART NO. CS-ABP-0505	REV <b>A</b>
NO SCALE		SHEET 1 OF 1