

PEDESTALPRO.COM
1-800-660-3072

UNLESS OTHERWISE SPECIFIED:

DIMENSIONS ARE IN INCHES
TOLERANCES:
FRACTIONAL $\pm 1/32$
ANGULAR: $\pm 2^\circ$
TWO PLACE DECIMAL ± 0.010
THREE PLACE DECIMAL ± 0.005

INTERPRET GEOMETRIC
TOLERANCING PER:
ASME Y14.5 -2009

NAME	DATE
DRAWN	
CHECKED	
PROPRIETARY AND CONFIDENTIAL	
THE INFORMATION CONTAINED IN THIS DRAWING IS THE SOLE PROPERTY OF PEDESTALPRO LLC. ANY REPRODUCTION IN PART OR AS A WHOLE WITHOUT THE WRITTEN PERMISSION OF PEDESTALPRO LLC IS PROHIBITED.	

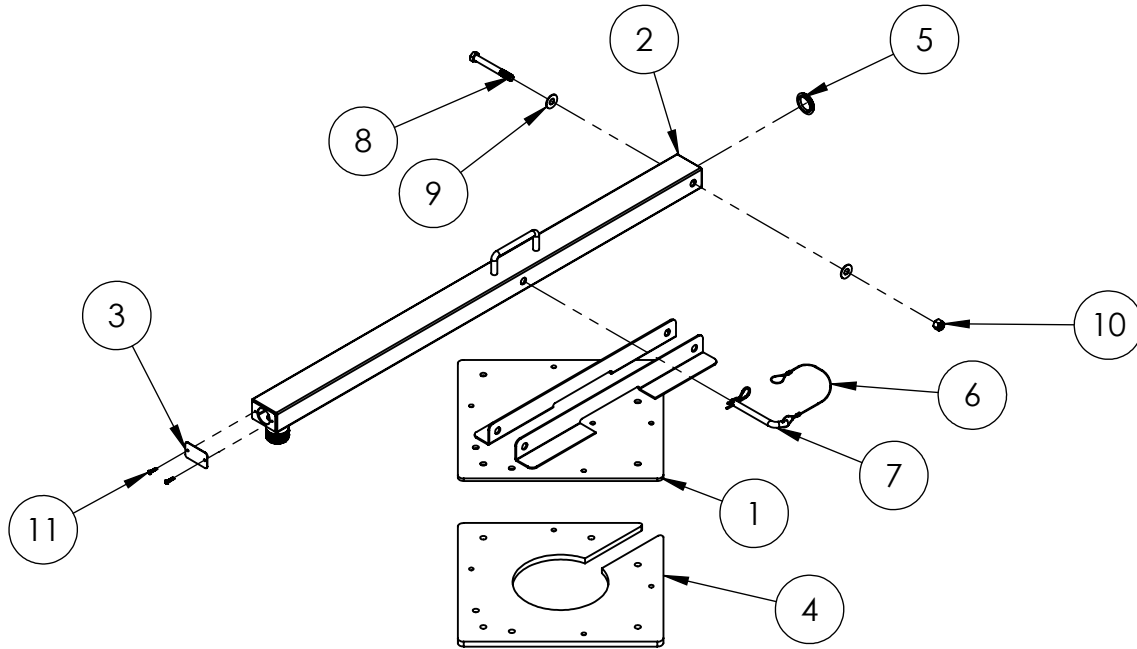
TITLE:
INSTALLATION

Tuesday, April 14, 2020
11:46:29 AM

WEIGHT:

SIZE	PART NO.	REV
A	CAMSKY-PARA-01-304	A
NO SCALE		SHEET 1 OF 14

ITEM NO.	PART NUMBER	DESCRIPTION	
1	BASE WELDMENT	BASE WELDMENT	1
2	ARM WELDMENT	ARM WELDMENT	1
3	FRONT CAP	CAP PLATE	1
4	SPACER	HDPD 1/2" THICK BLACK	1
5	PLASTIC CAP	PLASTIC CAP	1
6	CABLE	1/32" X 18" SS CABLE AND SLEEVES	1
7	--	SS BENT-PULL HITCH PIN	1
8	--	1/2"-13 X 4.25" HHCS	1
9	--	1/2" FLAT WASHER	2
10	--	1/2"-13 LOCK NUT	1
11	--	8-32 X 1/2" PAN HEAD SCREW	2



PEDESTALPRO.COM
1-800-660-3072

UNLESS OTHERWISE SPECIFIED:

DIMENSIONS ARE IN INCHES
TOLERANCES:
FRACTIONAL $\pm 1/32$
ANGULAR: $\pm 2^\circ$
TWO PLACE DECIMAL ± 0.010
THREE PLACE DECIMAL ± 0.005

INTERPRET GEOMETRIC
TOLERANCING PER:
ASME Y14.5 -2009

NAME DATE

DRAWN

CHECKED

PROPRIETARY AND CONFIDENTIAL

THE INFORMATION CONTAINED IN THIS
DRAWING IS THE SOLE PROPERTY OF
PEDESTALPRO LLC. ANY REPRODUCTION
IN PART OR AS A WHOLE WITHOUT THE
WRITTEN PERMISSION OF PEDESTALPRO LLC
IS PROHIBITED.

TITLE:

ASSEMBLY

Tuesday, April 14, 2020
11:46:29 AM

WEIGHT:

SIZE
A

PART NO.
CAMSKY-PARA-01-304

REV
A

NO SCALE

SHEET 2 OF 14