

AL175UL

Access Control Power Supply/Charger

Installation Guide



Rev. 052019

More than just power.™

Installing Company: _____ Service Rep. Name: _____

Address: _____ Phone #: _____

Overview:

Altronix AL175UL is a power-limited power supply/charger which converts 115VAC, 60Hz input into two individually PTC protected auto-resettable 12VDC or 24VDC outputs (see specifications). It is intended for use in applications requiring UL Listing for Access Control (UL294) and applications requiring an interface with the Fire Alarm Control Panels. It must be installed in accordance with National and Local Electrical Codes and Regulations.

Specifications:

Agency Listings:

- UL Listed for Access Control Systems (UL294*).
cUL Listed - CSA Standard C22.2
No.205-M1983, Signal Equipment.
- CSFM - California State Fire Marshal Approved.
- MEA - NYC Dept. of Buildings Approved.
- NFPA 101 (Life Safety).

Input:

- Input 115VAC, 60Hz, 0.6A.

Output:

- 12VDC or 24VDC selectable output.
- Class 2 Rated power-limited outputs.
- 1.75A continuous supply current @ 12VDC or 24VDC.
- Aux relay output (form "C" contacts).
- Filtered and electronically regulated output.
- Short circuit and thermal overload protection.

Battery Backup:

- Maximum charge current: 400mA.
- Automatic switch over to stand-by battery when AC fails.

Supervision:

- AC fail supervision (form "C" contacts).
- Dry trigger output (form "C" contacts).

Fire Alarm Interface:

- Dry trigger input.

Visual Indicators:

- AC input and DC output LED indicators.

Added Features:

- Includes power supply, transformer, and enclosure.

Enclosure Dimensions:

8.5" x 7.5" x 3.5" (215.9mm x 190.5mm x 88.9mm).

* ANSI/UL 294 7th Ed. Access Control Performance Levels:

Destructive Attack - I; Endurance - N/A; Line Security - I; Stand-by Power - I, IV.

Power Supply Output Specifications:

| Output VDC | Switch Position | Max. Stand-by Load DC | Max. Alarm Load DC | Battery (optional) |
|------------|-----------------|-----------------------|--------------------|--------------------|
| 12VDC | SW1 OFF | 1.75A | 1.75A | 12VDC |
| 24VDC | SW1 ON | 1.75A | 1.75A | 24VDC |

Stand-by Specifications:

| Output | 4 hr. of Stand-by and 5 Minutes of Alarm |
|----------------------|--|
| 12VDC / 7 AH Battery | Stand-by = 1.25A |
| 24VDC / 7 AH Battery | Alarm = 1.25A |

Installation Instructions:

The AL175UL should be installed in accordance with article 760 of The National Electrical Code or NFPA 72 as well as all applicable Local Codes.

See **Terminal Identification Chart on page 4** for a description of each terminal function.

1. Mount the unit in the desired location. Mark and predrill holes in the wall to line up with the top two keyholes in the enclosure. Install two upper fasteners and screws in the wall with the screw heads protruding. Place the enclosure's upper keyholes over the two upper screws, level and secure. Mark the position of the lower two holes. Remove the enclosure. Drill the lower holes and install the two fasteners. Place the enclosure's upper keyholes over the two upper screws. Install the two lower screws and make sure to tighten all screws (*Enclosure Dimensions, pg. 8*).
2. Connect AC power to the black and white flying leads of the transformer. Secure green wire lead to earth ground. Green "AC" LED on power supply board will turn on. This light can be seen through the LED lens on the door of the enclosure. Use 18 AWG or larger for all power connections (Battery, AC input, DC outputs). Use 22 AWG to 18 AWG for power-limited circuits (trigger inputs, dry outputs).

Keep power-limited wiring separate from non power-limited wiring (115VAC / 60Hz Input, Battery Wires). Minimum 0.25" spacing must be provided.

CAUTION: Do not touch exposed metal parts.

Shut branch circuit power before installing or servicing equipment.

There are no user serviceable parts inside. Refer installation and servicing to qualified service personnel.

3. Set the AL175UL to the desired DC output voltage by setting switch SW1 to the appropriate position (*Power Supply Output Specification Table*).
4. Measure output voltage before connecting devices. This helps avoiding potential damage.
5. Connect battery to the terminals marked [+ BAT -] (battery leads included).
Use two (2) 12VDC batteries connected in series for 24VDC operation.
Note: For Access Control applications batteries are optional.
When batteries are not used, a loss of AC will result in the loss of output voltage.
When the use of stand-by batteries are desired, they must be lead acid or gel type.
6. Connect appropriate signaling notification devices to AC Fail supervisory relay outputs marked [NC, NO, C].
Note: To meet UL requirements, AC Supervisory outputs must be connected to the zone of Alarm Control Panel or to visual AC trouble indicator.
7. For Access Control Device & Fire Alarm Interface connections refer to desired **Application Diagrams** (pg. 6-7) and **Terminal Identification Chart** (pg. 4).

Maintenance:

Unit should be tested at least once a year for the proper operation as follows:

Output Voltage Test: Under normal load conditions the DC output voltage should be checked for proper voltage level (see *Power Supply Output Specifications Chart*).

Battery Test: Under normal load conditions check that the battery is fully charged, check specified voltage both at the battery terminal and at the board terminals marked [+ BAT -] to ensure that there is no break in the battery connection wires.

Note: Maximum charging current under discharges is 400mA.

Note: Expected battery life is 5 years; however, it is recommended changing batteries in 4 years or less if needed.

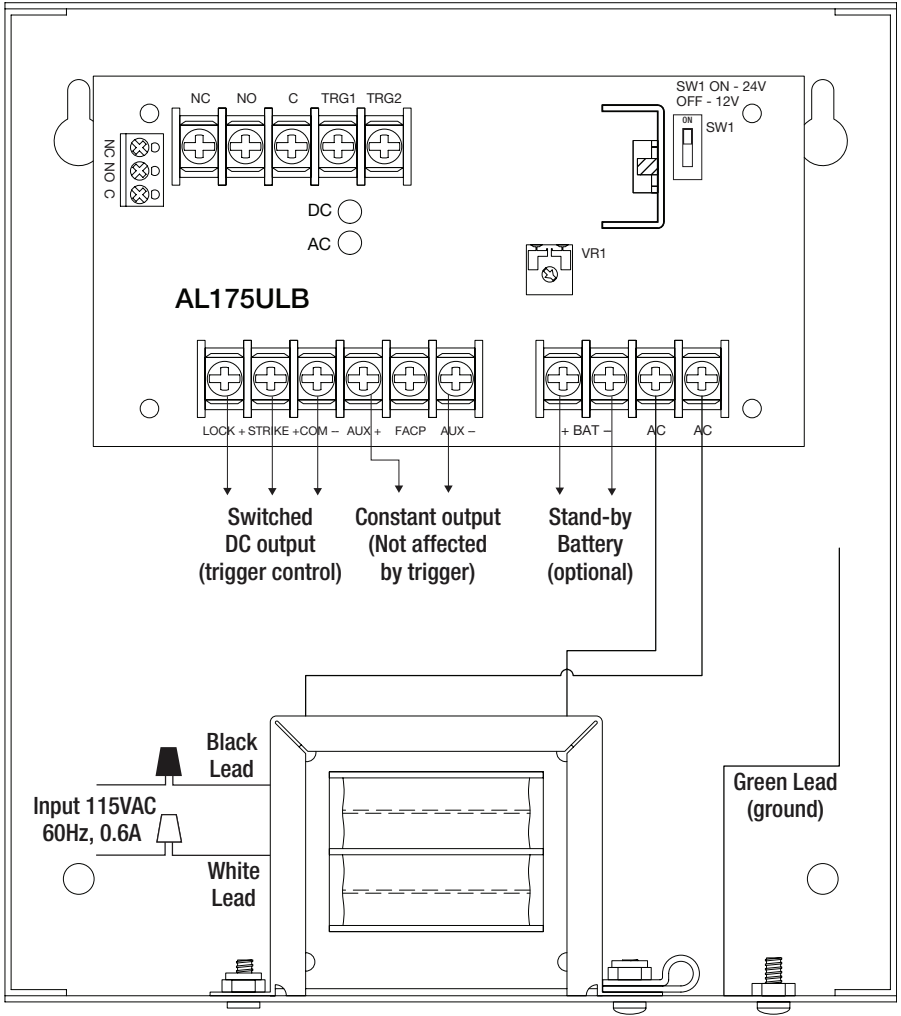
LED Diagnostics:

| Red (DC) | Green (AC) | Power Supply Status |
|----------|------------|---|
| ON | ON | Normal function. |
| ON | OFF | Battery backup is powering output. |
| OFF | ON | No DC output. |
| OFF | OFF | Loss of AC. Discharged or missing stand-by battery. No DC output. |

Terminal Identification:

| Terminal Legend | Function/Description |
|----------------------|--|
| TRG1 & TRG2 | Connects to the normally closed outputs of an access control or fire alarm relay. These terminals control [LOCK +], and [STRIKE +], as well as AL175UL output relay contacts [NC, NO, C]. |
| LOCK + | Provides DC output voltage when [TRG1] and [TRG2] are shorted together and are typically used to power Mag Locks. |
| STRIKE + | Provides DC output voltage when [TRG1] and [TRG2] are unshorted and are typically used to power Electric Strikes. |
| NC, NO, C | Isolated dry form "C" contacts. Shorting [TRG1] and [TRG2] together causes these contacts to switch. They are typically used for controlling multiple AL175ULs with fire alarm tie-in (<i>Fig. 5 and Fig. 6, pg. 7</i>). |
| AUX + | Continuous positive (+) DC power output voltage. It is not affected by TRG1, TRG2 operation. |
| COM – | Common negative (–) output (ground). |
| FACP | Spare wiring terminal used for fire alarm tie-in application (<i>Fig. 4, pg. 7</i>). |
| + BAT – | Stand-by battery connections. |
| AC FAIL NC, C, NO | Indicates loss of AC, e.g connect audible device or alarm panel. Relay normally energized when AC power is present. Contact rating 1A @ 28VDC. |

Fig. 1 - AL175UL



Typical Application Diagrams:

Fig. 2 Typical single mag lock or door strike installation with fire alarm tie-in using trigger controlled output:

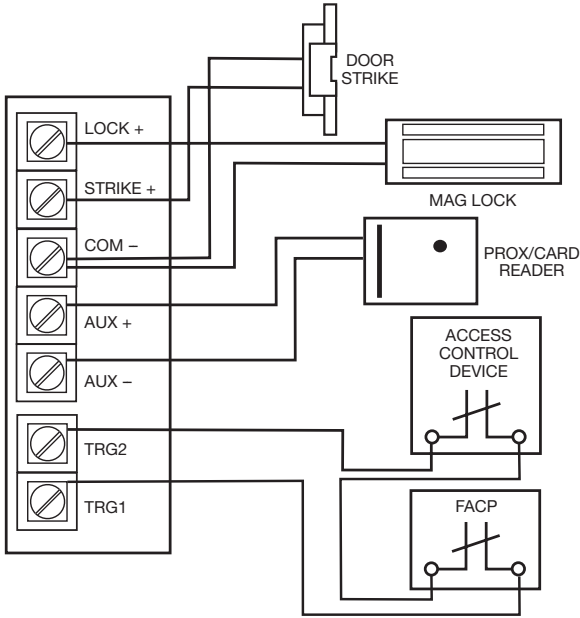
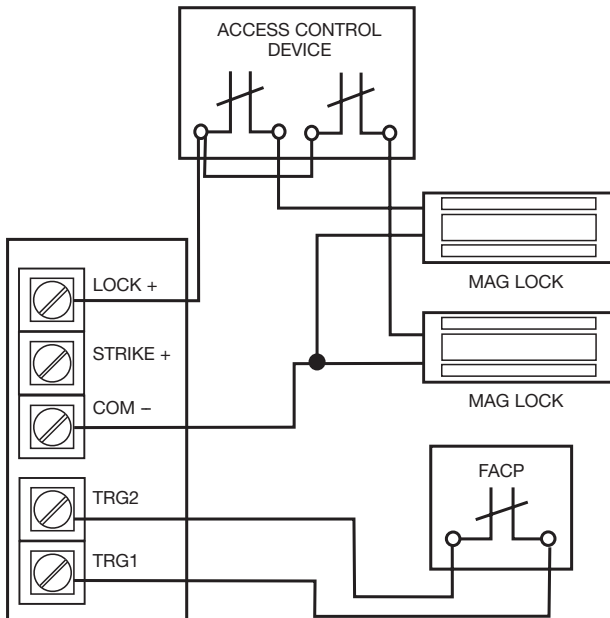


Fig. 3 Typical dual mag lock installation with fire alarm tie-in using trigger controlled outputs:



Typical Application Diagrams:

Fig. 4 Typical mag lock with fire alarm tie-in using aux output installation:

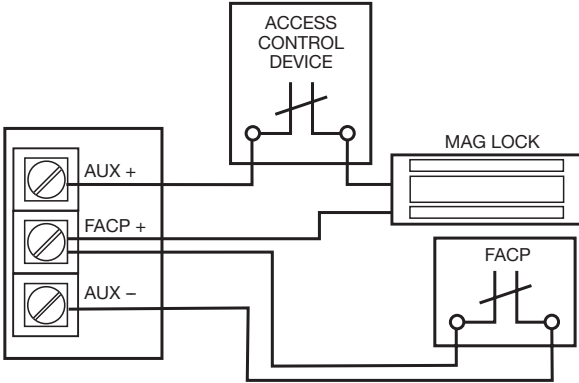


Fig. 5 Latching fire alarm tie-in with manual reset:

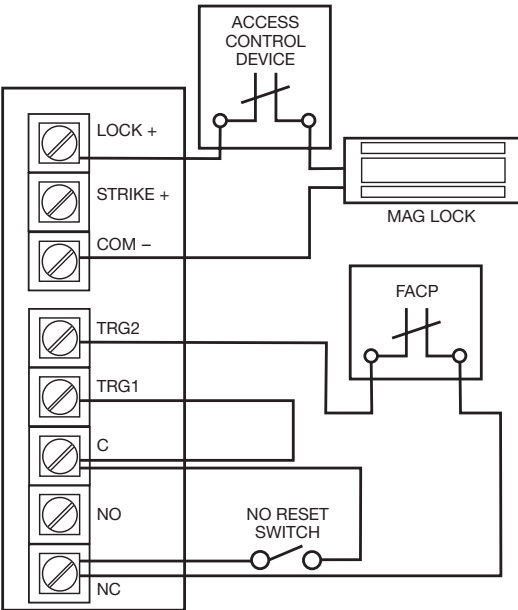
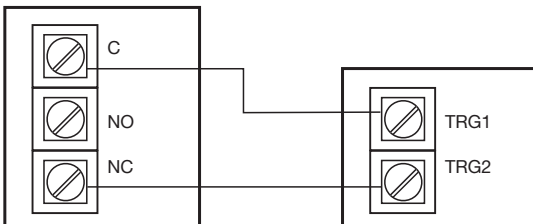
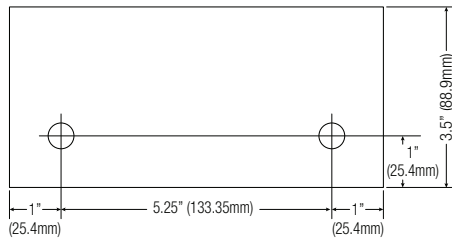
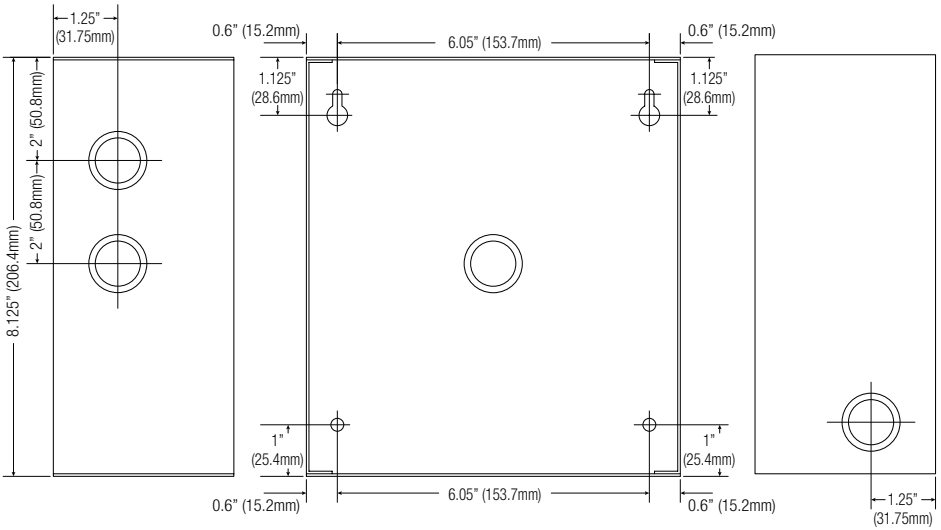
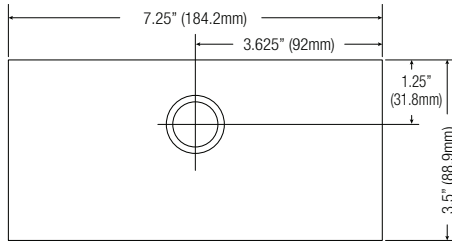


Fig. 6 Multiple AL175UL(X) power supply connections:



Enclosure Dimensions (H x W x D approximate):

8.5" x 7.5" x 3.5" (215.9mm x 190.5mm x 88.9mm)



Altronix is not responsible for any typographical errors.

140 58th Street, Brooklyn, New York 11220 USA | phone: 718-567-8181 | fax: 718-567-9056
 website: www.altronix.com | e-mail: info@altronix.com | Lifetime Warranty
 IIAL175UL F29U

