

NOTES:  
 1. MATERIAL OF CONSTRUCTION IS 304 SS BRUSHED #4 FINISH.



PEDESTALPRO.COM  
 1-800-660-3072

UNLESS OTHERWISE SPECIFIED:

DIMENSIONS ARE IN INCHES  
 TOLERANCES:  
 FRACTIONAL  $\pm 1/32$   
 ANGULAR:  $\pm 2^\circ$   
 TWO PLACE DECIMAL  $\pm 0.010$   
 THREE PLACE DECIMAL  $\pm 0.005$

INTERPRET GEOMETRIC  
 TOLERANCING PER:  
 ASME Y14.5 -2009

NAME	DATE
DRAWN	
CHECKED	

**PROPRIETARY AND CONFIDENTIAL**  
 THE INFORMATION CONTAINED IN THIS  
 DRAWING IS THE SOLE PROPERTY OF  
 PEDESTALPRO LLC. ANY REPRODUCTION  
 IN PART OR AS A WHOLE WITHOUT THE  
 WRITTEN PERMISSION OF PEDESTALPRO LLC  
 IS PROHIBITED.

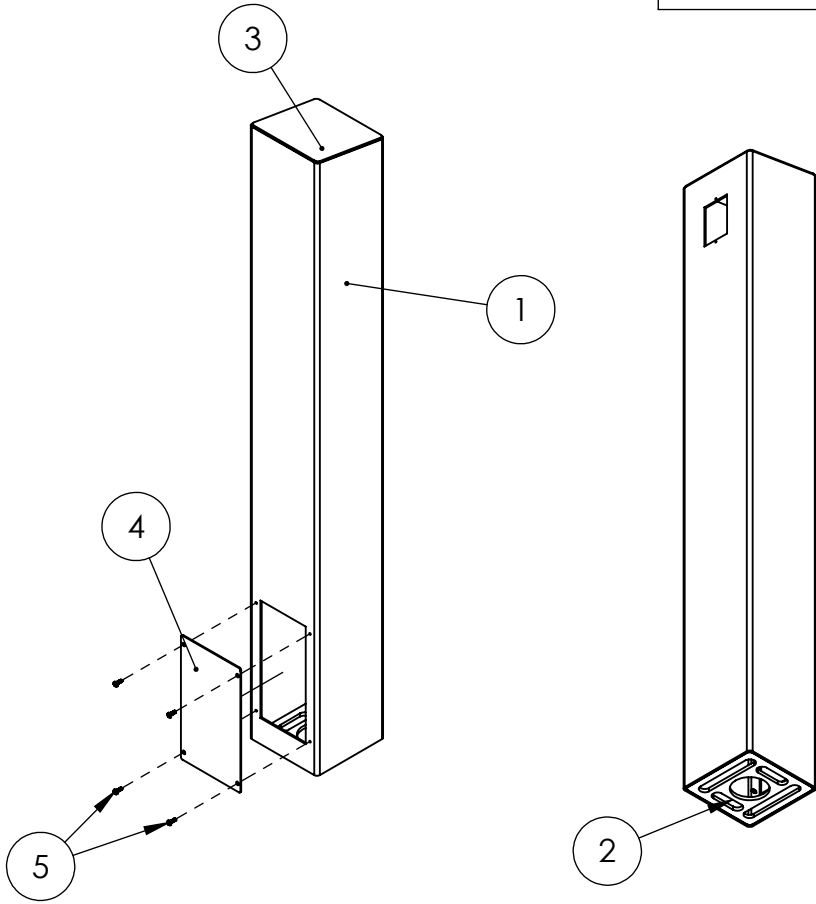
TITLE:  
**INSTALLATION**

Wednesday, March  
 20, 2019 9:59:52 AM

WEIGHT:

SIZE	PART NO.	REV
<b>A</b>	ADA-SS-TWR-47x6x6	<b>0</b>
NO SCALE		SHEET 1 OF 5

ITEM NO.	PART NUMBER	DESCRIPTION	QTY.
1	ADA-SS-TWR-47x6x6	TUBE WELDMENT	1
2	BASE PLATE 6 ADA	304 SS BASE PLATE	1
3	CAP PLATE 6 ADA	STANDARD 6" ADA CAP PLATE	1
4	ACCESS COVER 6	ACCESS COVER PLATE	1
5	---	8-32 SS BUTTON HEAD SCREW	4



- NOTES:
- SEE STANDARD PREPARATION AND COATING INSTRUCTIONS FOR COATING PROCEDURE AND COLOR.
  - SEE STANDARD PACKING INSTRUCTIONS FOR PACKAGING PROCEDURE.



PEDESTALPRO.COM  
1-800-660-3072

UNLESS OTHERWISE SPECIFIED:  
 DIMENSIONS ARE IN INCHES  
 TOLERANCES:  
 FRACTIONAL ± 1/32  
 ANGULAR: ± 2°  
 TWO PLACE DECIMAL ± 0.010  
 THREE PLACE DECIMAL ± 0.005  
 INTERPRET GEOMETRIC TOLERANCING PER: ASME Y14.5 -2009

NAME	DATE
DRAWN	
CHECKED	
<b>PROPRIETARY AND CONFIDENTIAL</b>	
THE INFORMATION CONTAINED IN THIS DRAWING IS THE SOLE PROPERTY OF PEDESTALPRO LLC. ANY REPRODUCTION IN PART OR AS A WHOLE WITHOUT THE WRITTEN PERMISSION OF PEDESTALPRO LLC IS PROHIBITED.	

TITLE:  
**ASSEMBLY**

Wednesday, March 20, 2019 9:59:52 AM

WEIGHT:

SIZE	PART NO.	REV
<b>A</b>	ADA-SS-TWR-47x6x6	<b>0</b>

NO SCALE SHEET 2 OF 5