

### PRODUCT FEATURES

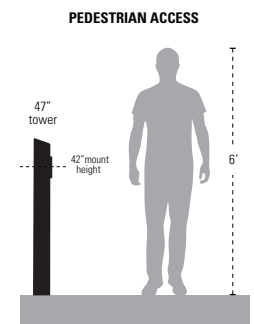
- Flat top
- Luxury aesthetics
- Antimicrobial surface
- Universal design
- Heavy duty materials
- Stainless steel construction
- Brushed #4 (180 grit)
- NDAA, Buy American, or USMCA/CUSMA compliant
- Build To Order (BTO)
- Available direct or through distribution
- ADA compliant

### CUSTOM OPTIONS

- Shorten or extend height
- Readily available powder coating colors (white, yellow, bronze, gray, silver)
- Choose any RAL powder color

### DESCRIPTION

A stunningly beautiful bollard for high end decor in lobbies and entryways. Flat top. Serves as a beautiful stainless bollard for traffic control and perimeter security. Standing 48" tall, this remarkable "blank" pedestal is free from any device cutouts.



Download Pedestrian Height Chart for more details

### RECOMMENDED ACCESSORIES

BOLT KIT



Stud-Anchor-500

BOLT KIT



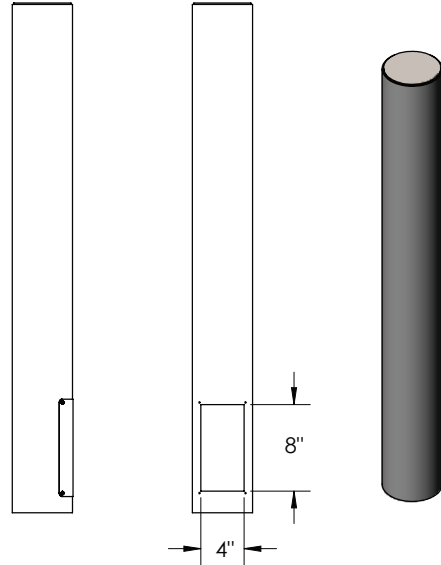
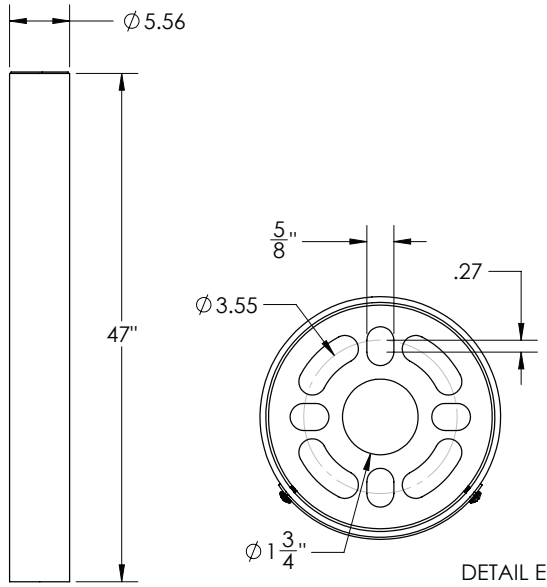
L-Bolt-500

SHIM KIT



Shim-Kit-001

Model No. **ADA-SS-BOL-48x5RxF**



**NOTE:** CAD drawing available online.  
Scan for more detail.



**DATA & SPECS**

Product Style	Bollard
Material	#304 Stainless steel
Tube	5" round x .120" wall, stainless steel #304
Face Plate	n/a
Base Plate	.25" plate, stainless steel #304
Cover Plate	.0749" (14 gauge) stainless steel #304
Mounting Method	Pad mount
Pretreatment	n/a
Finish	Brushed #4 (180 grit) with mirrored corner radiuses
UV Protection	n/a
Hardware	none
Packaging	Foam wrapped and boxed individually
Package Size	52 x 8 x 6
Weight	35 lbs
Shipping Method	UPS, FedEx, or LTL freight
Compliance	NDA, Buy American, or USMCA/CUSMA (see website for details)
Warranty	1 year limited (see website for details)
Inventory Status	Build To Order (Fast Track production is available)

**SIMILAR PRODUCTS**

