

PRODUCT FEATURES

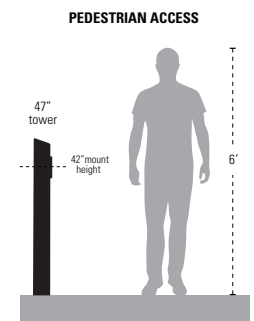
- Universal design
- Heavy duty materials
- Stainless steel construction
- Black wrinkle powder coating w/ UV protection
- NDAA, Buy American, or USMCA/CUSMA compliant
- In-stock, ready-to-ship
- Available direct or through distribution
- ADA compliant

CUSTOM OPTIONS

- Customize device cutout
- Shorten or extend height
- Readily available powder coating colors (white, yellow, bronze, gray, silver)
- Choose any RAL powder color

DESCRIPTION

A strong bollard for gates, lobbies and entryways to showcase entry/exit buttons, ADA actuators, card readers, and more. Standing 47" tall, this reliable pedestal comes with a cutout to receive any single gang device of your choice.



Download Pedestrian Height Chart for more details

RECOMMENDED ACCESSORIES

BOLT KIT



Stud-Anchor-500

BOLT KIT



L-Bolt-500

HEATER



ACC-HEA-001-304

COOLING FAN



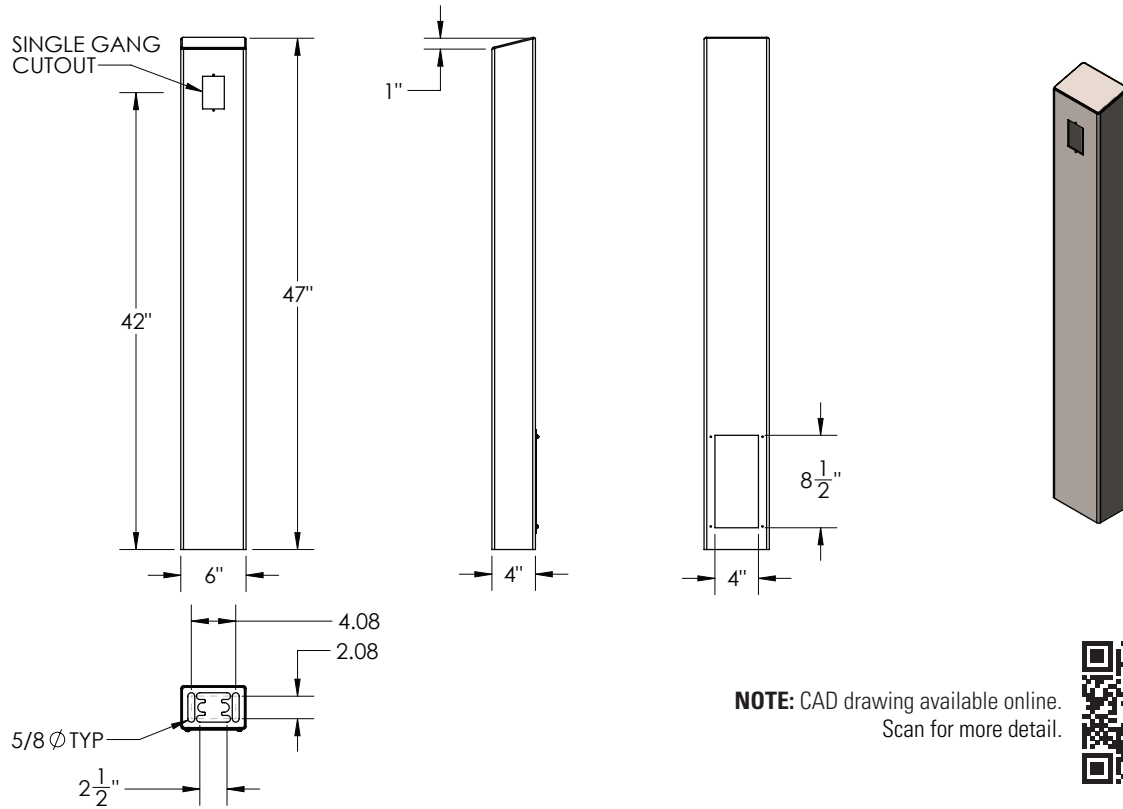
ACC-FAN-001-304

SHIM KIT



Shim-Kit-001

Model No. **ADA-CS-TWR-47x4x6**



NOTE: CAD drawing available online.
Scan for more detail.



DATA & SPECS

Product Style	Bollard
Material	Steel
Tube	4" x 6" x .120" wall, steel
Face Plate	n/a
Base Plate	.25" plate
Cover Plate	.0749" (14 gauge) stainless steel #304
Mounting Method	Pad mount
Pretreatment	High pressure/high temperature phosphate wash and rinse
Finish	Black wrinkle powder coating (TGIC outdoor polyester)
UV Protection	Yes
Hardware	none
Packaging	Foam wrapped and boxed individually
Package Size	52 x 8 x 6
Weight	35 lbs
Shipping Method	UPS, FedEx, or LTL freight
Compliance	NDA, Buy American, or USMCA/CUSMA (see website for details)
Warranty	1 year limited (see website for details)
Inventory Status	In-Stock (inventory levels viewable for registered users on pedestalpro.com)

SIMILAR PRODUCTS

