

PRODUCT FEATURES

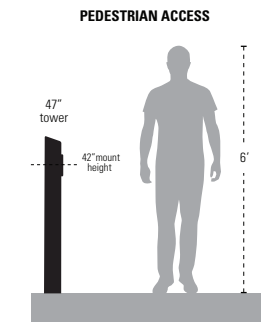
- Luxury aesthetics
- Antimicrobial surface
- Universal design
- Heavy duty materials
- Stainless steel construction
- Brushed #4 (180 grit)
- NDAA, Buy American, or USMCA/CUSMA compliant
- Build To Order (BTO)
- Available direct or through distribution
- ADA compliant

CUSTOM OPTIONS

- Customize device cutout
- Shorten or extend height
- Readily available powder coating colors (white, yellow, bronze, gray, silver)
- Choose any RAL powder color

DESCRIPTION

A stunningly beautiful bollard for high end decor in lobbies and entryways. Serves as a beautiful showcase for entry/exit buttons, ADA actuators, card readers, and more. Standing 48" tall, this remarkable pedestal comes with a single gang cutout nestled in an alcove to receive the device of your choice.

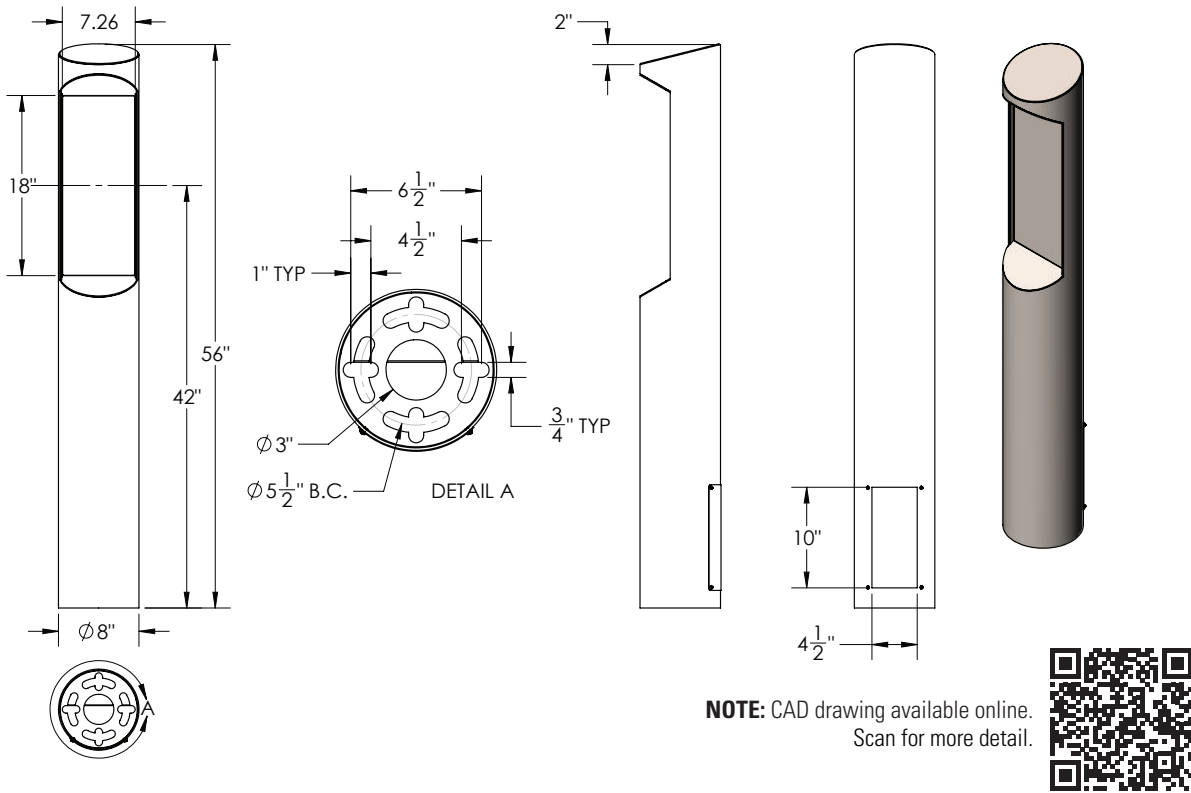


Download Pedestrian Height Chart for more details

RECOMMENDED ACCESSORIES

<p>BOLT KIT</p> <p>Stud-Anchor-500</p>	<p>BOLT KIT</p> <p>L-Bolt-500</p>	<p>SHIM KIT</p> <p>Shim-Kit-001</p>
---	--	--

Model No. **8BOL-PRO-001-304**



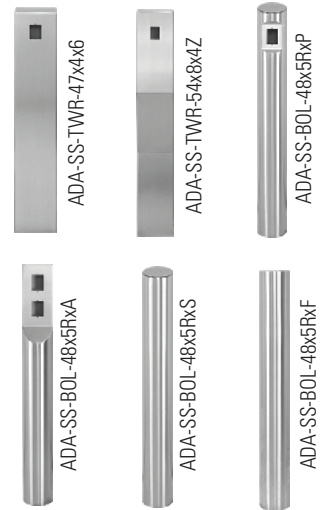
NOTE: CAD drawing available online.
Scan for more detail.



DATA & SPECS

Product Style	Bollard
Material	#304 Stainless steel
Tube	8" round x .250" wall, stainless steel #304
Face Plate	.1217" (11 gauge) stainless steel #304
Base Plate	.25" plate, stainless steel #304
Cover Plate	.0749" (14 gauge) stainless steel #304
Mounting Method	Pad mount
Pretreatment	n/a
Finish	Brushed #4 (180 grit) with mirrored corner radiuses
UV Protection	n/a
Hardware	none
Packaging	Foam wrapped and boxed individually
Package Size	62 x 15 x 10
Weight	79 lbs
Shipping Method	UPS, FedEx, or LTL freight
Compliance	NDAA, Buy American, or USMCA/CUSMA (see website for details)
Warranty	1 year limited (see website for details)
Inventory Status	Build To Order (Fast Track production is available)

SIMILAR PRODUCTS



2N(R) is a registered trademark of Axis Communications, Inc. Pedestal PRO does not represent this brand. Use of trademark does not imply any affiliation with or endorsement by trademark owner. Refer to their website for more detailed information. Any device shown is not included in a purchase from Pedestal PRO. Pedestal PRO product features and dimensions are subject to change at any time. Check pedestalpro.com for current information.

