

### PRODUCT FEATURES

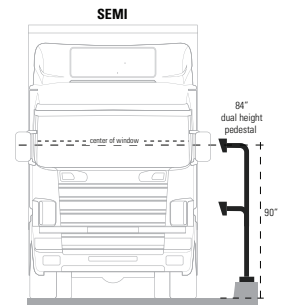
- Single height for cars and trucks
- Universal design
- Heavy duty materials
- Steel construction
- Black wrinkle powder coating w/ UV protection
- NDAA, Buy American, or USMCA/CUSMA compliant
- In-stock, ready-to-ship
- Available direct or through distribution

### CUSTOM OPTIONS

- Shorten or extend neck reach
- Shorten or extend height
- Customize face plate or base plate
- Readily available powder coating colors (white, yellow, bronze, gray, silver)
- Choose any RAL powder color

### DESCRIPTION

The heaviest-duty, single-height, truck pedestal in the security industry. Even holds the heaviest telephone entry systems sturdy in the wind. Standing 84" tall, this pedestal is perfectly suited to accommodate gate access for vehicles of all sizes including cars, SUV's, buses, semi-trucks, and other large commercial traffic.

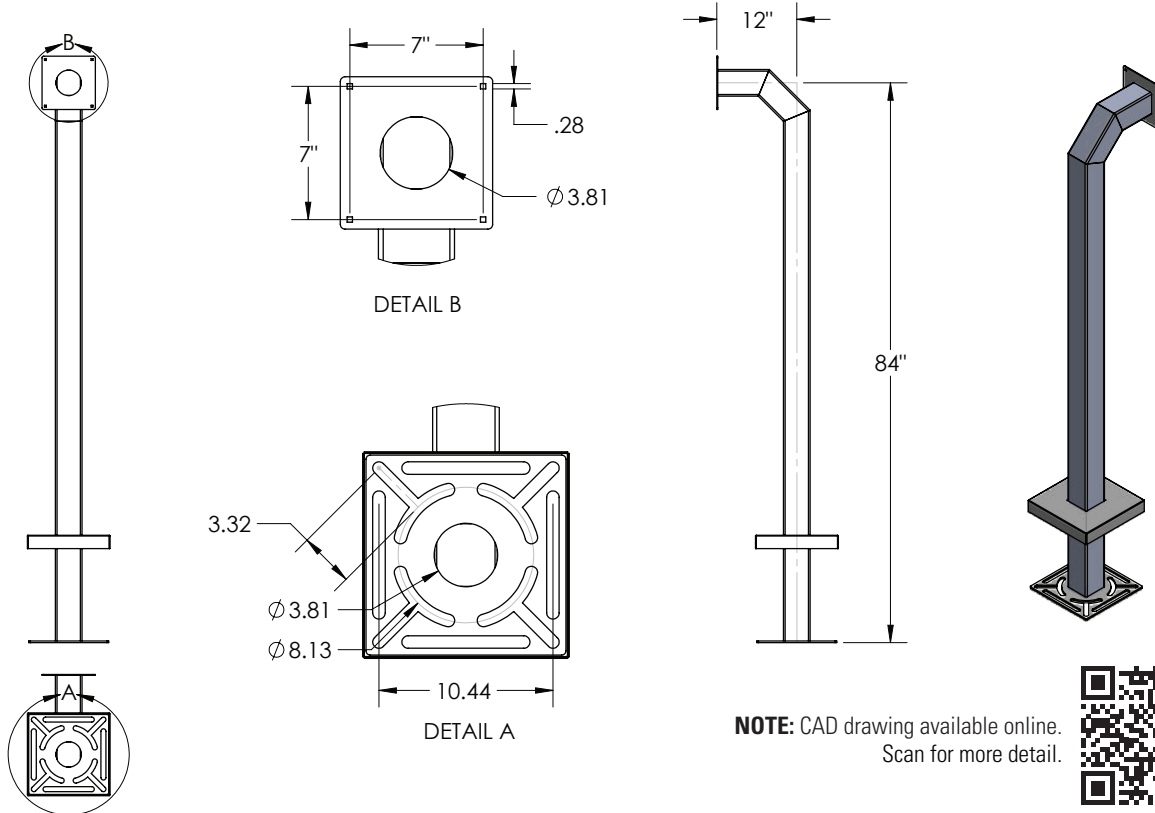


Download Vehicle Height Chart for more details

### RECOMMENDED ACCESSORIES

<b>BOLT KIT</b>	<b>BOLT KIT</b>	<b>HOOD</b>	<b>HOUSING</b>	<b>BUFFER PLATE</b>	<b>SHIM KIT</b>	<b>NECK EXTENSION</b>
Stud-Anchor-625	L-Bolt-625	Hood-CS-14x14	Lando-PC-20x16-E-BLK	CS-ABP-1212	Shim-Kit-001	12-EXT-4

**NOTE:** Real time inventory levels are viewable for registered users on pedestalpro.com



**NOTE:** CAD drawing available online.  
Scan for more detail.



**DATA & SPECS**

Product Style	Gooseneck
Material	Steel
Tube	4" x 4" x .120" wall, steel
Face Plate	.125" (11 gauge)
Base Plate	.25" plate
Cover Plate	.074" (14 gauge)
Mounting Method	Pad mount
Pretreatment	High pressure/high temperature phosphate wash and rinse
Finish	Black wrinkle powder coating (TGIC outdoor polyester)
UV Protection	Yes
Hardware	1/4-20 carriage bolts and nuts (qty 4 each, zinc plated)
Packaging	Foam wrapped and boxed individually
Package Size	88 x 15 x 13
Weight	70 lbs
Shipping Method	UPS, FedEx, or LTL freight
Compliance	NDA, Buy American, or USMCA/CUSMA (see website for details)
Warranty	1 year limited (see website for details)
Inventory Status	In-Stock (inventory levels viewable for registered users on pedestalpro.com)

**SIMILAR PRODUCTS**

