

- NOTES:
1. MOUNTS THE FOLLOWING CONTROL 4 MODELS: C4-DS2FM AND C4-DS2FMKP
  2. 2N MODELS: VERSO 2 MODULE



PEDESTALPRO.COM  
1-800-660-3072

UNLESS OTHERWISE SPECIFIED:

DIMENSIONS ARE IN INCHES  
TOLERANCES:  
FRACTIONAL:  $\pm 1/32$   
ANGULAR:  $\pm 2^\circ$   
TWO PLACE DECIMAL:  $\pm 0.010$   
THREE PLACE DECIMAL:  $\pm 0.005$

INTERPRET GEOMETRIC  
TOLERANCING PER:  
ASME Y14.5 -2009

NAME	DATE
DRAWN	
CHECKED	

**PROPRIETARY AND CONFIDENTIAL**  
THE INFORMATION CONTAINED IN THIS DRAWING IS THE SOLE PROPERTY OF PEDESTALPRO LLC. ANY REPRODUCTION IN PART OR AS A WHOLE WITHOUT THE WRITTEN PERMISSION OF PEDESTALPRO LLC IS PROHIBITED.

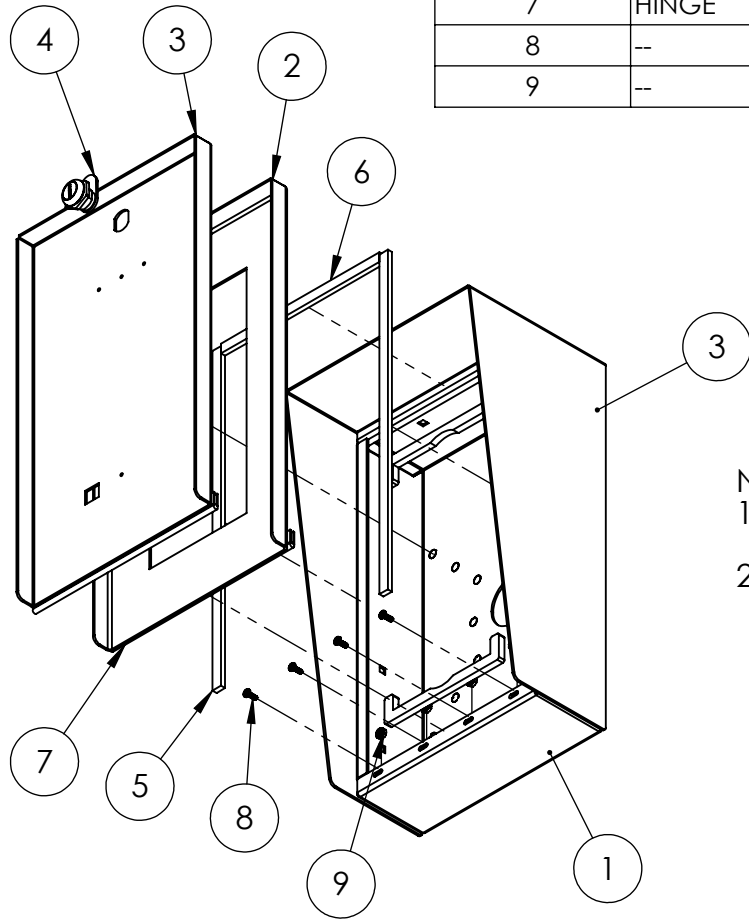
TITLE:  
**INSTALLATION**

Tuesday, September 11, 2018 9:34:19 AM

WEIGHT:

SIZE	PART NO.	REV
<b>A</b>	814HOU-PED-001-304	<b>A</b>
	NO SCALE	SHEET 1 OF 8

ITEM NO.	PART NUMBER	DESCRIPTION	QTY.
1	814HOU-PED-001-304 ENCLOSURE	ENCLOSURE WELDMENT	1
2	814HOU-PED-001-304 DOOR	DOOR WELDMENT	1
3	814HOU-PED-001-304 DOOR 2	DOOR 2 WELDMENT	1
4	CAM LOCK	STRAIGHT CAM	1
5	GASKET SIDE	3/8 X .150 WEATHERSTRIPPING	2
6	GASKET TOP	3/8 X .150 WEATHERSTRIPPING	1
7	HINGE	PIANO HINGE	1
8	--	6-32 X 3/8 SS BUTTON HEAD SCREW	4
9	--	6-32 EXTERNAL TOOTH LOCK NUT	4



NOTES:

1. SEE STANDARD PREPARATION AND COATING INSTRUCTIONS FOR COATING PROCEDURE AND COLOR.
2. SEE STANDARD PACKAGING INSTRUCTIONS FOR PACKAGING PROCEDURE.



PEDESTALPRO.COM  
1-800-660-3072

UNLESS OTHERWISE SPECIFIED:

DIMENSIONS ARE IN INCHES  
TOLERANCES:  
FRACTIONAL  $\pm 1/32$   
ANGULAR:  $\pm 2^\circ$   
TWO PLACE DECIMAL  $\pm 0.010$   
THREE PLACE DECIMAL  $\pm 0.005$

INTERPRET GEOMETRIC  
TOLERANCING PER:  
ASME Y14.5 -2009

NAME	DATE
DRAWN	
CHECKED	
<b>PROPRIETARY AND CONFIDENTIAL</b>	
THE INFORMATION CONTAINED IN THIS DRAWING IS THE SOLE PROPERTY OF PEDESTALPRO LLC. ANY REPRODUCTION IN PART OR AS A WHOLE WITHOUT THE WRITTEN PERMISSION OF PEDESTALPRO LLC IS PROHIBITED.	

TITLE:  
**ASSEMBLY**

Tuesday, September  
11, 2018 9:34:19 AM

WEIGHT:

SIZE <b>A</b>	PART NO. 814HOU-PED-001-304
------------------	--------------------------------

REV <b>A</b>
-----------------

NO SCALE

SHEET 2 OF 8