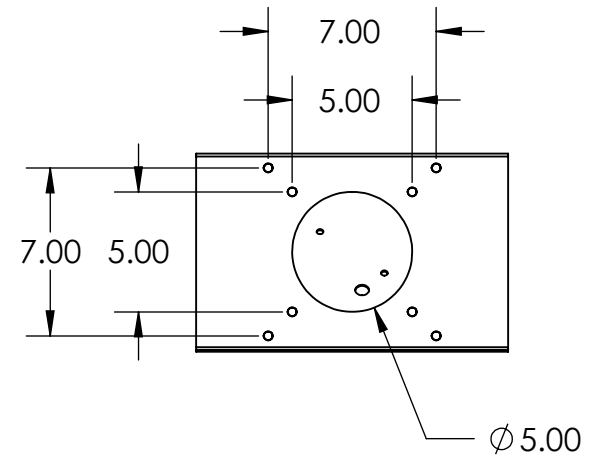
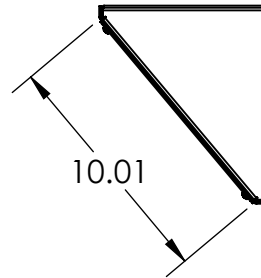
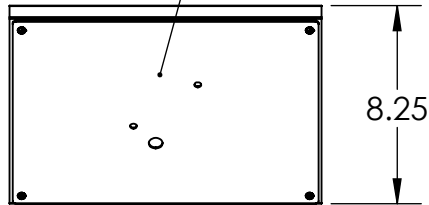


MOUNTS
DIGITAL WATCHDOG
DWC-PVF9DI2TW



NOTES:
1. MATERIAL OF CONSTRUCTION IS MILD STEEL COATED IN 2-4 MILS OF BLACK WRINKLE POWDER COATING.



PEDESTALPRO.COM
1-800-660-3072

UNLESS OTHERWISE SPECIFIED:

DIMENSIONS ARE IN INCHES
TOLERANCES:
FRACTIONAL $\pm 1/32$
ANGULAR: $\pm 2^\circ$
TWO PLACE DECIMAL ± 0.010
THREE PLACE DECIMAL ± 0.005

INTERPRET GEOMETRIC
TOLERANCING PER:
ASME Y14.5 -2009

NAME	DATE
DRAWN	
CHECKED	

PROPRIETARY AND CONFIDENTIAL
THE INFORMATION CONTAINED IN THIS DRAWING IS THE SOLE PROPERTY OF PEDESTALPRO LLC. ANY REPRODUCTION IN PART OR AS A WHOLE WITHOUT THE WRITTEN PERMISSION OF PEDESTALPRO LLC IS PROHIBITED.

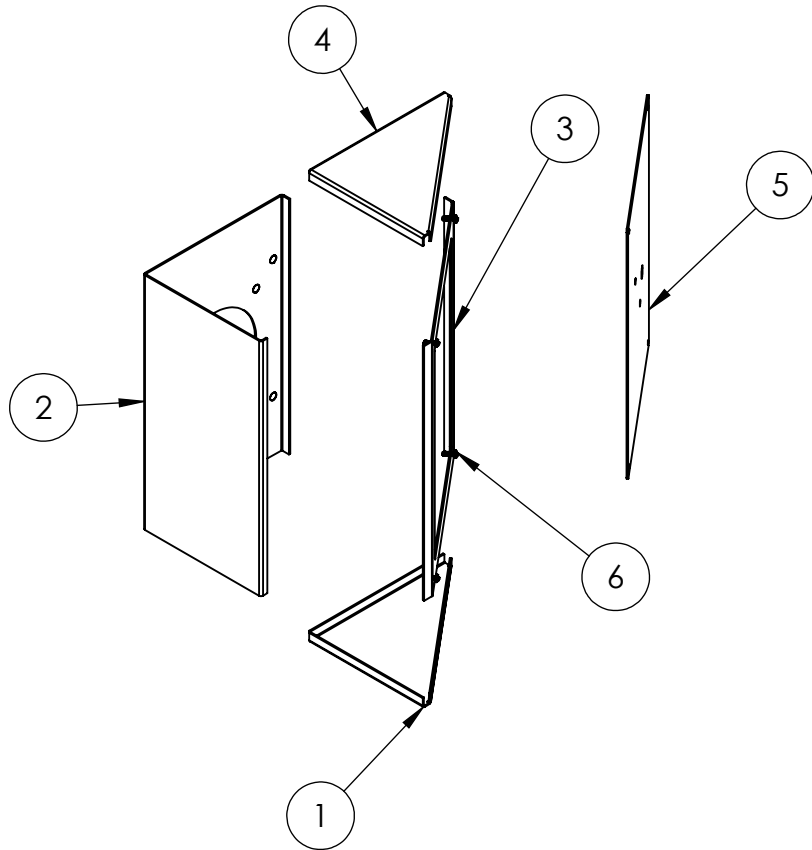
TITLE:
INSTALLATION

Thursday, November 17, 2022 2:33:57 PM

WEIGHT: 9.756

SIZE	PART NO.	REV
A	813HOU-DIWD-01-CRS	A
NO SCALE		SHEET 1 OF 8

ITEM NO.	PART NUMBER	DESCRIPTION	QTY.
1	813HOU-DIWD-01-CRS LEFT	END CLOSURE PLATE	1
2	813HOU-DIWD-01-CRS BACK	BACKSIDE MOUNTING PLATE	1
3	813HOU-DIWD-01-CRS FRONT	DEVICE MOUNTING SURFACE	1
4	813HOU-DIWD-01-CRS RIGHT	END CLOSURE PLATE	1
5	813HOU-DIWD-01-CRS ACCESS	ACCESS PANEL	1
6	--	8-32 X 1/2" PAN HEAD SCREW	4



NOTES:

1. SEE STANDARD PREPARATION AND COATING INSTRUCTIONS FOR COATING PROCEDURE AND COLOR.
2. SEE STANDARD PACKAGING INSTRUCTIONS FOR PACKAGING PROCEDURE.

PEDESTALPRO.COM
1-800-660-3072

UNLESS OTHERWISE SPECIFIED:

DIMENSIONS ARE IN INCHES
TOLERANCES:
FRACTIONAL $\pm 1/32$
ANGULAR: $\pm 2^\circ$
TWO PLACE DECIMAL ± 0.010
THREE PLACE DECIMAL ± 0.005

INTERPRET GEOMETRIC
TOLERANCING PER:
ASME Y14.5 -2009

NAME DATE

DRAWN

CHECKED

PROPRIETARY AND CONFIDENTIAL

THE INFORMATION CONTAINED IN THIS
DRAWING IS THE SOLE PROPERTY OF
PEDESTALPRO LLC. ANY REPRODUCTION
IN PART OR AS A WHOLE WITHOUT THE
WRITTEN PERMISSION OF PEDESTALPRO LLC
IS PROHIBITED.

TITLE:

ASSEMBLY

Monday, May 3, 2021
10:48:37 AM

WEIGHT: 9.756

SIZE
A

PART NO.
813HOU-DIWD-01-CRS

REV
0

NO SCALE

SHEET 2 OF 8