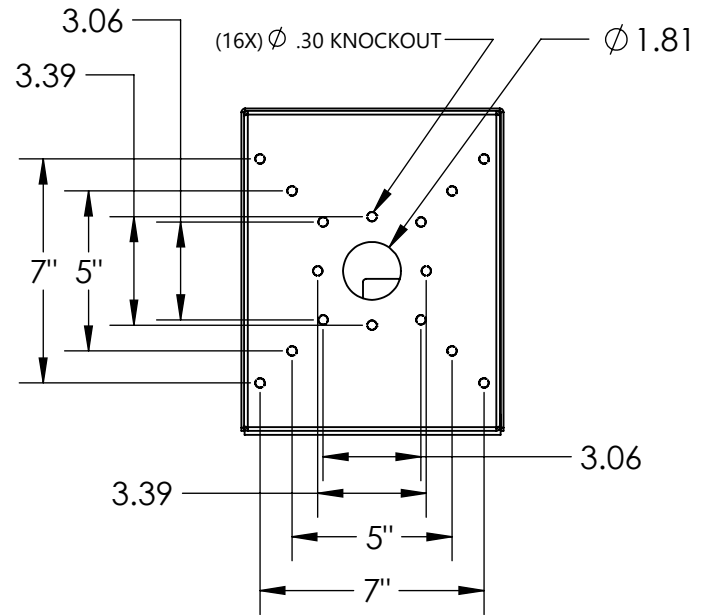
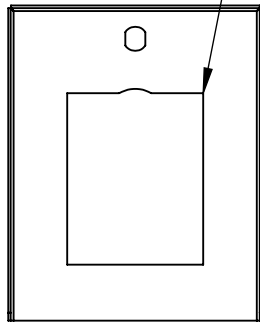


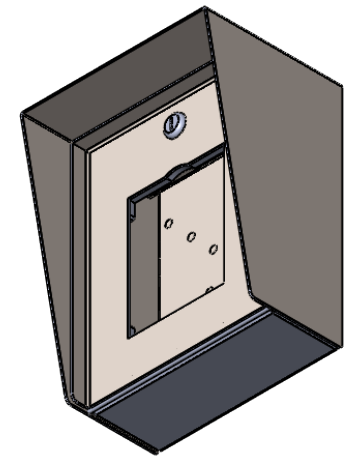
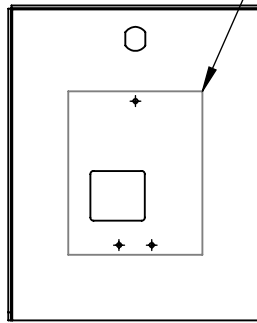
SECTION A-A



CONTROL4/2N
SINGLE UNIT
CUTOUT (FLUSH)



CONTROL4 / 2N
SINGLE UNIT
CUTOUT (SURFACE)



NOTES:
1. MATERIAL OF CONSTRUCTION IS 304 SS, BRUSHED #4.



PEDESTALPRO.COM
1-800-660-3072

UNLESS OTHERWISE SPECIFIED:

DIMENSIONS ARE IN INCHES
TOLERANCES:
FRACTIONAL $\pm 1/32$
ANGULAR: $\pm 2^\circ$
TWO PLACE DECIMAL ± 0.010
THREE PLACE DECIMAL ± 0.005

INTERPRET GEOMETRIC
TOLERANCING PER:
ASME Y14.5 -2009

NAME	DATE
DRAWN	
CHECKED	

PROPRIETARY AND CONFIDENTIAL
THE INFORMATION CONTAINED IN THIS
DRAWING IS THE SOLE PROPERTY OF
PEDESTALPRO LLC. ANY REPRODUCTION
IN PART OR AS A WHOLE WITHOUT THE
WRITTEN PERMISSION OF PEDESTALPRO LLC
IS PROHIBITED.

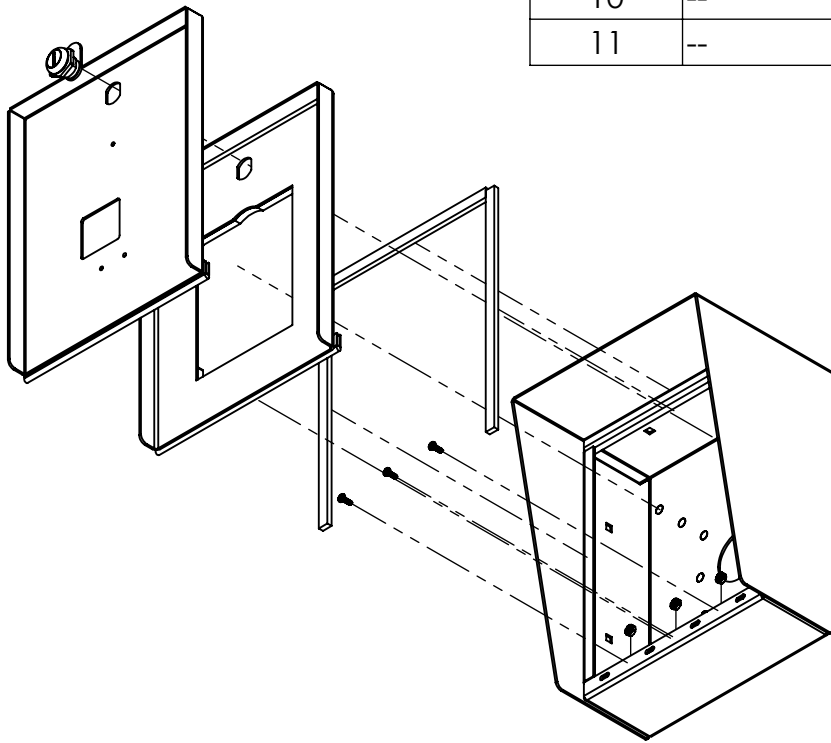
TITLE:
INSTALLATION

Tuesday, September
11, 2018 9:34:19 AM

WEIGHT:

SIZE	PART NO.	REV
A	810HOU-PRO-001-304	A
NO SCALE		SHEET 1 OF 8

ITEM NO.	PART NUMBER	DESCRIPTION	QTY.
1	810HOU-PRO-001-304 ENCLOSURE	ENCLOSURE WELDMENT	1
2	810HOU-PRO-001-304 DOOR	2N IP SOLO FLUSH MOUNT DOOR	1
3	810HOU-PRO-001-304 DOOR 2	2N IP SOLO SURFACE MOUNT DOOR	1
5	810HOU-PRO-001-304 STANDOFF	1/4" CRS PLATE	2
6	HINGE	PIANO HINGE	2
7	GASKET SIDE	3/8 X .150 WEATHERSTRIPPING	2
8	GASKET TOP	3/8 X .150 WEATHERSTRIPPING	1
9	CAM LOCK	STRAIGHT CAM	1
10	--	6-32 X 3/8 SS BUTTON HEAD SCREW	3
11	--	3-32 EXTERNAL TOOTH LOCK NUT	3



NOTES:

1. SEE STANDARD PREPARATION AND COATING INSTRUCTIONS FOR COATING PROCEDURE AND COLOR.
2. SEE STANDARD PACKAGING INSTRUCTIONS FOR PACKAGING PROCEDURE.



PEDESTALPRO.COM
1-800-660-3072

UNLESS OTHERWISE SPECIFIED:

DIMENSIONS ARE IN INCHES
TOLERANCES:
FRACTIONAL $\pm 1/32$
ANGULAR: $\pm 2^\circ$
TWO PLACE DECIMAL ± 0.010
THREE PLACE DECIMAL ± 0.005

INTERPRET GEOMETRIC
TOLERANCING PER:
ASME Y14.5 -2009

NAME DATE

DRAWN

CHECKED

PROPRIETARY AND CONFIDENTIAL

THE INFORMATION CONTAINED IN THIS
DRAWING IS THE SOLE PROPERTY OF
PEDESTALPRO LLC. ANY REPRODUCTION
IN PART OR AS A WHOLE WITHOUT THE
WRITTEN PERMISSION OF PEDESTALPRO LLC
IS PROHIBITED.

TITLE:

ASSEMBLY

Tuesday, September
11, 2018 9:34:19 AM

WEIGHT:

SIZE
A

PART NO.
810HOU-PRO-001-304

REV
A

NO SCALE

SHEET 2 OF 8