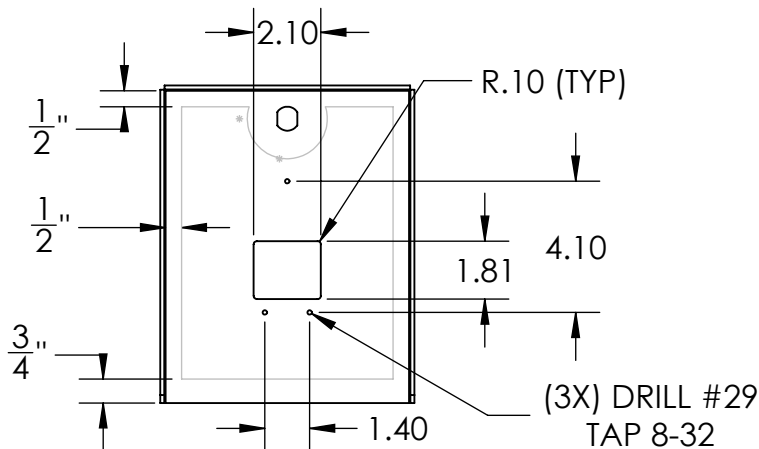
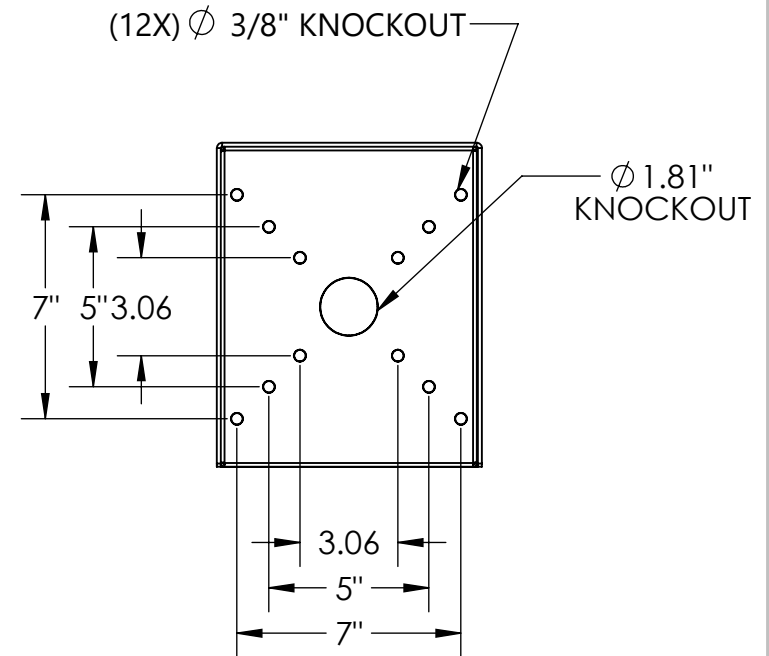
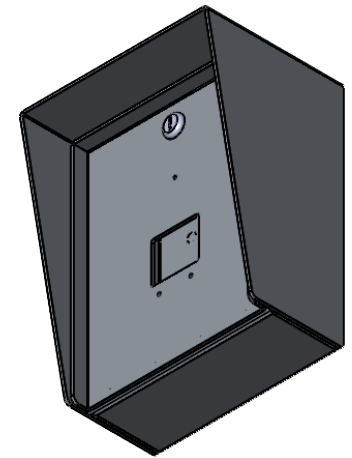


SECTION A-A



AVAILABLE CUTOUT AREA



NOTES:

1. MATERIAL OF CONSTRUCTION IS 304 SS, BRUSHED #4.



PEDESTALPRO.COM  
1-800-660-3072

UNLESS OTHERWISE SPECIFIED:

DIMENSIONS ARE IN INCHES  
TOLERANCES:  
FRACTIONAL  $\pm 1/32$   
ANGULAR:  $\pm 2^\circ$   
TWO PLACE DECIMAL  $\pm 0.010$   
THREE PLACE DECIMAL  $\pm 0.005$

INTERPRET GEOMETRIC  
TOLERANCING PER:  
ASME Y14.5 -2009

| NAME    | DATE |
|---------|------|
| DRAWN   |      |
| CHECKED |      |

**PROPRIETARY AND CONFIDENTIAL**  
THE INFORMATION CONTAINED IN THIS DRAWING IS THE SOLE PROPERTY OF PEDESTALPRO LLC. ANY REPRODUCTION IN PART OR AS A WHOLE WITHOUT THE WRITTEN PERMISSION OF PEDESTALPRO LLC IS PROHIBITED.

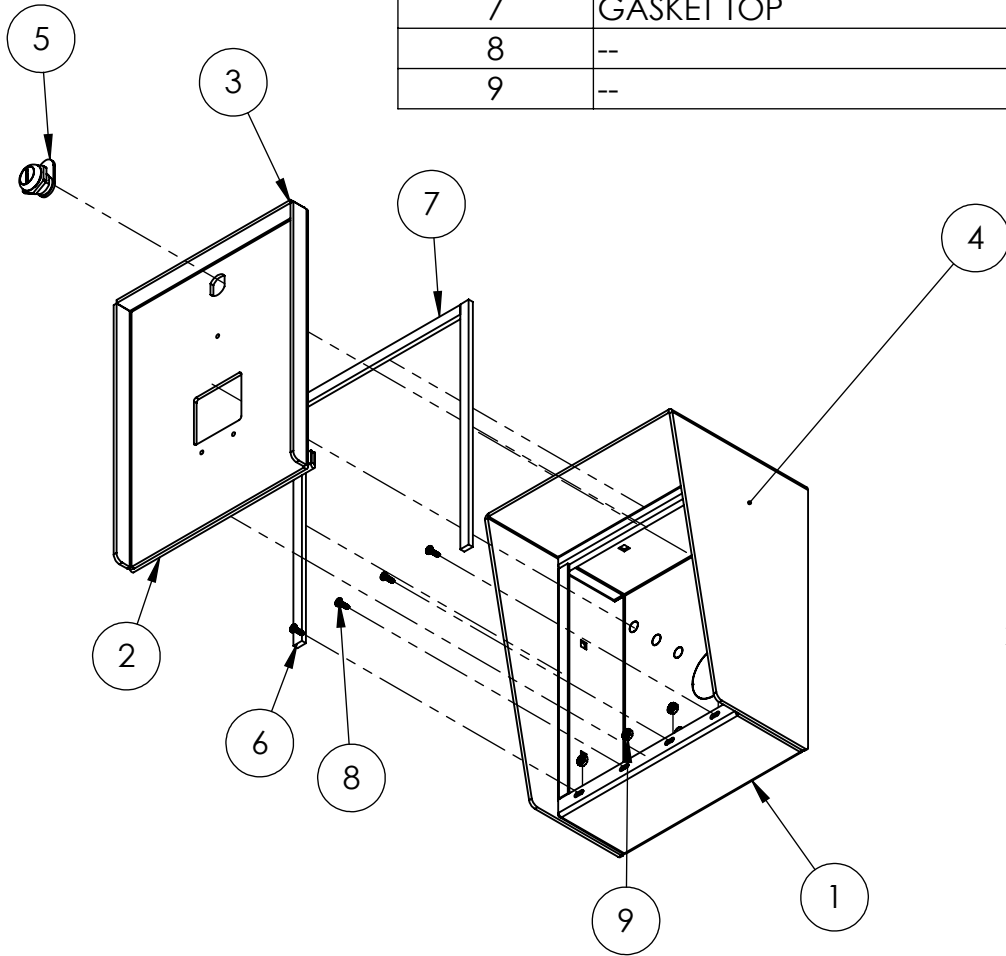
TITLE:  
**INSTALLATION**

Tuesday, September 11, 2018 9:34:19 AM

WEIGHT: 13.387

| SIZE     | PART NO.           | REV          |
|----------|--------------------|--------------|
| <b>A</b> | 810HOU-DOOR-02-304 | <b>A</b>     |
| NO SCALE |                    | SHEET 1 OF 6 |

| ITEM NO. | PART NUMBER                  | DESCRIPTION                  | QTY. |
|----------|------------------------------|------------------------------|------|
| 1        | 810HOU-DOOR-02-304 ENCLOSURE | ENCLOSURE WELDMENT           | 1    |
| 2        | HINGE                        | PIANO HINGE                  | 1    |
| 3        | 810HOU-DOOR-02-304 DOOR      | DOOR WELDMENT                | 1    |
| 4        | 810HOU-DOOR-02-304 HOOD      | HOOD WELDMENT                | 1    |
| 5        | CAM LOCK                     | STRAIGHT CAM                 | 1    |
| 6        | GASKET SIDE                  | 3/8" X .150 WEATHERSTRIPPING | 2    |
| 7        | GASKET TOP                   | 3/8" X .150 WEATHERSTRIPPING | 1    |
| 8        | --                           | 6-32 PAN HEAD SCREW          | 4    |
| 9        | --                           | 6-32 EXTERNAL TOOTH LOCK NUT | 4    |



NOTES:

1. SEE STANDARD PREPARATION AND COATING INSTRUCTIONS FOR COATING PROCEDURE AND COLOR.
2. SEE STANDARD PACKAGING INSTRUCTIONS FOR PACKAGING PROCEDURE.

UNLESS OTHERWISE SPECIFIED:

DIMENSIONS ARE IN INCHES  
TOLERANCES:  
FRACTIONAL  $\pm 1/32$   
ANGULAR:  $\pm 2^\circ$   
TWO PLACE DECIMAL  $\pm 0.010$   
THREE PLACE DECIMAL  $\pm 0.005$

INTERPRET GEOMETRIC  
TOLERANCING PER:  
ASME Y14.5 -2009

NAME DATE

DRAWN

CHECKED

**PROPRIETARY AND CONFIDENTIAL**

THE INFORMATION CONTAINED IN THIS  
DRAWING IS THE SOLE PROPERTY OF  
PEDESTALPRO LLC. ANY REPRODUCTION  
IN PART OR AS A WHOLE WITHOUT THE  
WRITTEN PERMISSION OF PEDESTALPRO LLC  
IS PROHIBITED.

TITLE:

**ASSEMBLY**

Tuesday, September  
11, 2018 9:34:19 AM

WEIGHT: 13.387

SIZE  
**A**

PART NO.  
810HOU-DOOR-02-304

REV  
**0**

NO SCALE

SHEET 2 OF 6

PEDESTALPRO.COM  
1-800-660-3072