



LZR®-FLATSCAN W

SAFETY SENSOR FOR AUTOMATED WINDOWS

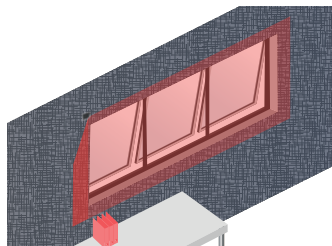


DESCRIPTION

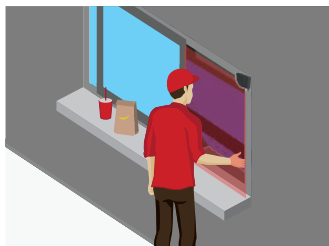
BEA's **LZR-FLATSCAN W** is a LASER-based, Time-of-Flight sensor with background analysis that secures automated windows.

A single sensor can generate 400 measurement points, providing complete protection for hands and fingers during the closing process.

APPLICATIONS

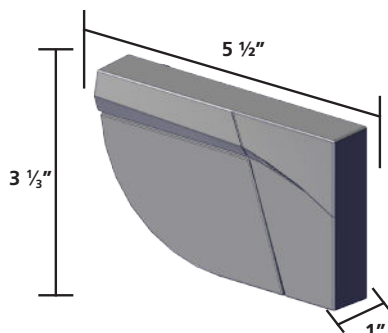


Windows



Drive-thru Windows

DIMENSIONS



TECHNICAL SPECIFICATIONS

Technology	LASER scanner, time-of-flight measurement, background analysis
Detection mode	Presence
Max. detection range	13' (diagonal) (e.g. @ 40' width, max. height is 16')
Number of curtains	1
Measurement points	400
Angular resolution	0.27°
Angular coverage	110°
Min. object size	3/4" (depending on the settings and the installation)
Optical characteristics	IR LASER, Class 1 wavelength: 905 nm output power: < 0.1mW
Supply voltage	12 – 24 VDC ±15% <i>The equipment must be powered by a SELV limited power source ensuring double insulation between primary voltages and the Equipment supply.</i> <i>The supply current should be limited to 1.5A.</i>
Power consumption	≤ 2 W
Typ. response time	400 ms
Peak current at power-on	0.8A (max. 20 ms @ 24 VDC)
Cable length	16.4'
Output	2 solid state relays (galvanic isolation - polarity free) max. switching voltage 42 VAC/VDC max. switching current 100 mA
Input	1 optocoupler (galvanic isolated - polarity free) max. contact voltage 30 V DC (over-voltage protected) voltage threshold Log. H: >8 VDC Log. L: <3 VDC
LED signals	1 tri-colored LED: detection/output status
Dimensions	5 3/5" (L) × 3 11/32" (H) × 1 1/3" (D) (mounting base adds 1/2")
Material / Color	PC, ASA / black
Tilt angles	-2 – 6° (with mounting base) 2 – 10° (without mounting base)
Protection degree	IP54
Temperature range	-22 – 140 °F if powered 14 – 140 °F without power
Humidity	0 – 95% non-condensing
Vibrations	< 2 G
Compliance	IEC 60335-2-103 ISO 13849-1 (PL "d"); IEC 61508 (SIL2)

DISCLAIMER Information is supplied upon the condition that the persons receiving it will make their own determination as to its suitability for their purposes prior to use. In no event will BEA be responsible for damages of any nature whatsoever resulting from the use of or reliance upon information from this document or the products to which the information refers. BEA has the right without liability to change descriptions and specifications at any time.

WWW.BEASENSORS.COM



BEA AMERICAS / RIDC Park West / 100 Enterprise Drive / Pittsburgh, PA
T 1-800-523-2462 / F 1-888-523-2462 / E info-us@BEAsensors.com

A Halma company