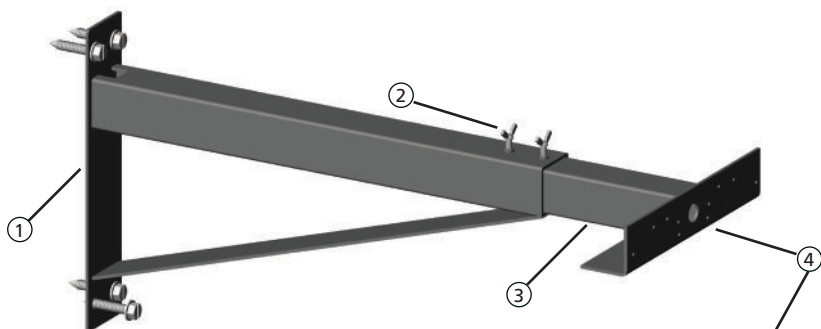


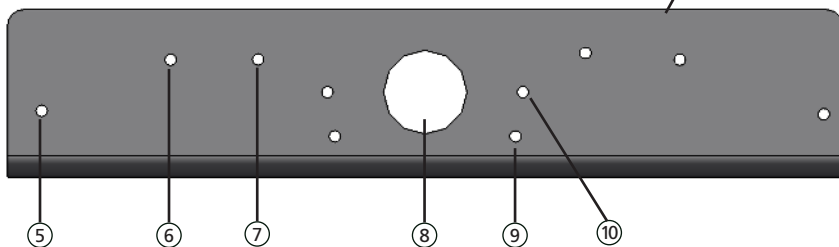
INDUSTRIAL BRACKET

Universal industrial mounting bracket

DESCRIPTION



1. 12" x 2.5" mounting face (fasteners not included)
2. adjustment locking screws
3. extendable adjustment
4. sensor mounting face



- | | |
|-------------------------|--------------------------|
| 5. IXIO / Wizard / Iris | 8. wire passage hole |
| 6. DK12 | 9. Falcon / IS40 / IS40P |
| 7. Eagle HM | 10. LZR family |

TECHNICAL SPECIFICATIONS

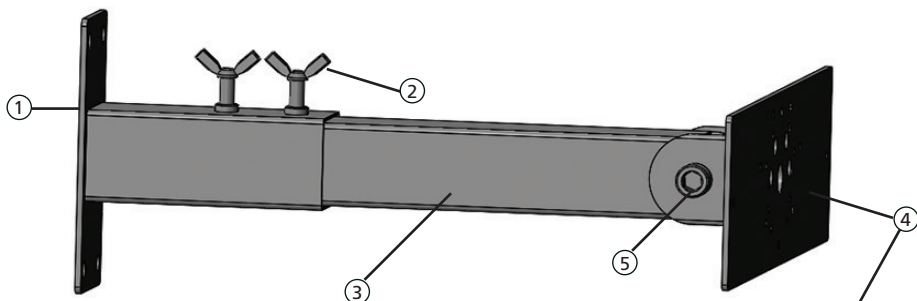
Material:	Carbon Steel (powder coated black)
Adjustment:	20-36 inches
Weight:	5.38 lbs

Specifications are subject to changes without prior notice.
All values measured in specific conditions.

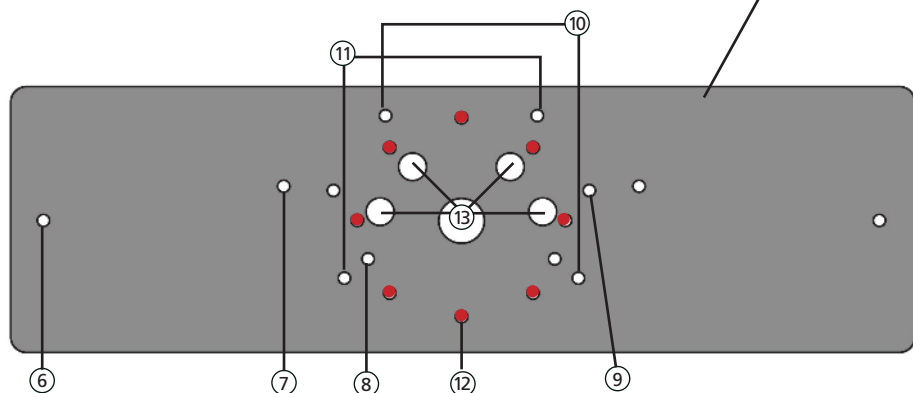
MINI INDUSTRIAL BRACKET

Short universal industrial mounting bracket

DESCRIPTION



1. 12" x 2.5" mounting face (fasteners not included)
2. adjustment locking screws
3. extendable adjustment
4. sensor mounting face
5. angle locking bolt



6. IXIO
7. Eagle HM
8. Falcon / IS40 / IS40P
9. LZR - microscan (centered mounting)

10. LZR - microscan (right mounting)
11. LZR - microscan (left mounting)
12. LZR family * ●
13. wire passage hole

*Multiple mounting options available refer to LZR mounting template

TECHNICAL SPECIFICATIONS

Material:	Carbon Steel (powder coated black)
Adjustment:	6-12 inches (up to 4 inches maybe cut off for shorter application)
Adjustment tool:	5/16 Allen Wrench
Weight:	2.32 lbs

Specifications are subject to changes without prior notice.
All values measured in specific conditions