

# MICROCELL ADAPTER

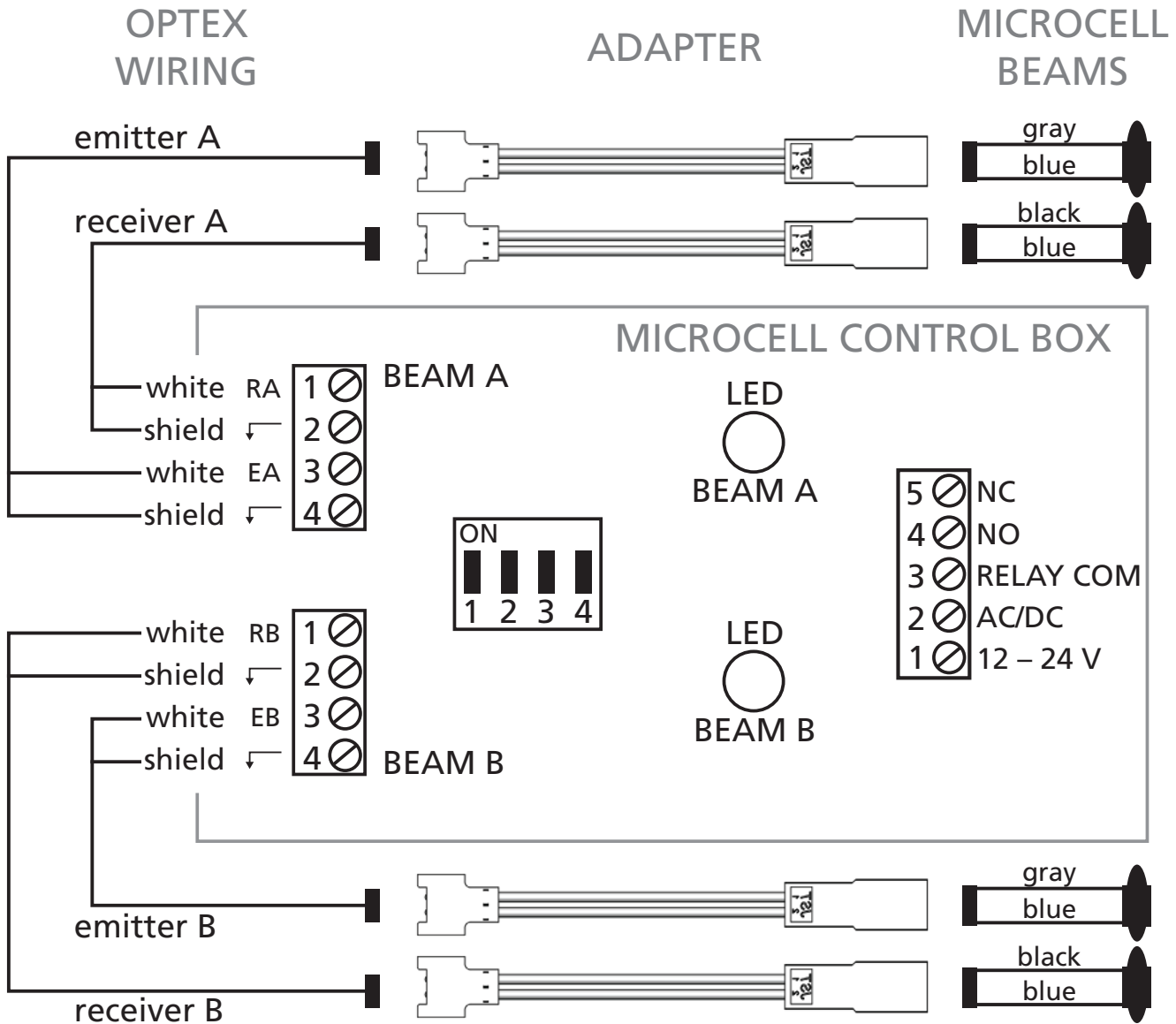
Wiring kit for Optex beam retrofit



Visit website for available languages of this document and the full MICROCELL User's Guide.

This document illustrates the use of the 10MICROCELLADAPTER in applications where Optex photo beams were previously installed, and the application is being retrofitted with a BEA MICROCELL.

Note: "A" indicates the primary set of components for installation. "B" indicates a secondary set of components if it is a double-beam installation.



## BEA, INC. INSTALLATION/SERVICE COMPLIANCE EXPECTATIONS

BEA, Inc., the sensor manufacturer, cannot be held responsible for incorrect installations or incorrect adjustments of the sensor/device; therefore, BEA, Inc. does not guarantee any use of the sensor/device outside of its intended purpose.

BEA, Inc. strongly recommends that installation and service technicians be AAADM-certified for pedestrian doors, IDA-certified for doors/gates, and factory-trained for the type of door/gate system.

Installers and service personnel are responsible for executing a risk assessment following each installation/service performed, ensuring that the sensor/device system performance is compliant with local, national, and international regulations, codes, and standards.

Once installation or service work is complete, a safety inspection of the door/gate shall be performed per the door/gate manufacturer's recommendations and/or per AAADM/ANSI/DASMA guidelines (where applicable) for best industry practices. Safety inspections must be performed during each service call – examples of these safety inspections can be found on an AAADM safety information label (e.g. ANSI/DASMA 102, ANSI/DASMA 107, UL294, UL325, and International Building Code).

Verify that all appropriate industry signage, warning labels, and placards are in place.



A Halma company

Tech Support & Customer Service: 1-800-523-2462 | General Tech Questions: techservices-us@BEAsensors.com | Tech Docs: www.BEAsensors.com