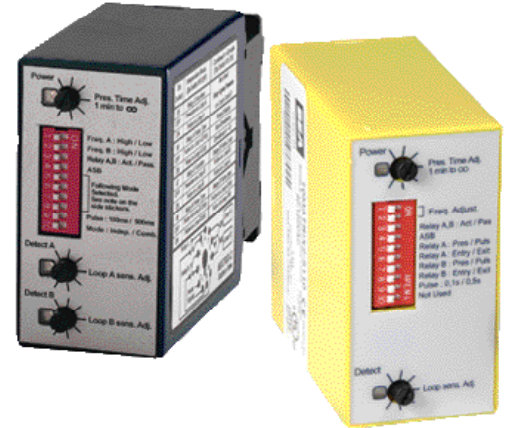
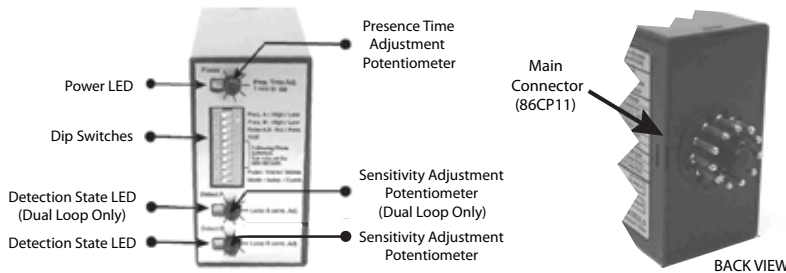


1 Description

The MATRIX (10MATRIX) Digital Inductive Loop Detector is the ideal solution for parking barrier control, motorized gates and doors, vehicle access control and industrial control systems. The MATRIX is a high performance single or dual-channel vehicle detector packaged in a compact housing. The connection is made with a standard industrial 11-pin round connector. The six versions listed below include single or dual-channel, and 3 possible power supplies:

- 10MATRIXS110 : Single loop detector with 110 to 120 V AC power supply.
- 10MATRIXS220 : Single loop detector with 220 to 240 V AC power supply.
- 10MATRIXS1224 : Single loop detector with 12 to 24 V AC/DC power supply.
- 10MATRIXD110 : Dual loop detector with 110 to 120 V AC power supply.
- 10MATRIXD220 : Dual loop detector with 220 to 240 V AC power supply.
- 10MATRIXD1224 : Dual loop detector with 12 to 24 V AC/DC power supply.



2 Specifications

TERMINOLOGY	SPECIFICATION	TERMINOLOGY	SPECIFICATION
TECHNOLOGY	Inductive Loop	POWER FREQUENCY	48 to 62 Hz
TUNING	Automatic	POWER CONSUMPTION	< 2.5 W
DETECTION MODE	Presence	TEMPERATURE RANGE	-22°F to 158°F (-30°C to 70°C)
PRESENCE TIME	1 min to infinity with 250 steps	DEGREE OF PROTECTION	IP40
PULSE TIME OUTPUT	100 ms or 500 ms	WEIGHT	7 oz. (<200g)
LED INDICATORS	Power: Green Loop Status 1: Red Loops Status 2: Red	PROTECTIONS	Loop Insulation Transformer Zener Diodes Gas Discharge Clamping
FREQUENCY RANGE	20 kHz to 130 kHz	INDUCTANCE RANGE	20 H to 1000 H
FREQUENCY STEPS	Single Loop: 4 Double Loop: 2 (for each loop)	DIMENSIONS	3.0 in (H) x 1.5 in (W) x 3.0 in (D) (76mm x 38mm x 76mm)
SENSITIVITY ($\Delta L / L$)	0.005% to 0.5% with 250 steps	CONNECTION	86CP11 (Standard 11-Pin Round)
REACTION TIME	Single Loop: 25ms Double Loop: 50ms (ea. channel)	2 OUTPUT RELAYS (free potential change-over contact)	Max Contact Voltage: 230 VAC Max Contact Current: 5A (res.)
SETUP TIME AFTER CONFIGURATION	2 s max by channel	SETUP TIME AT POWER ON	8 s max by channel
POWER SUPPLY (depending on model)	12-24 AC/DC \pm 10% 230 VAC \pm 10% 115 VAC \pm 10%	PRODUCT COMPLIANCE	R&TTE: 1999/5/EC EMC: 89/336/EEC FCC: 47 CFR 15 IC: RSS-210 ISSUE 5

3 Precautions



- Shut off all power before attempting any wiring procedures.
- Maintain a clean & safe environment when working in public areas.
- Constantly be aware of pedestrian traffic around the door area.
- Always stop pedestrian traffic through the doorway when performing tests that may result in unexpected reactions by the door.
- ESD: Circuit boards are vulnerable to damage by electrostatic discharge. Before handling any board ensure you dissipate your body's charge.
- Always check placement of all wiring before powering up to insure that moving door parts will not catch any wires and cause damage to equipment.
- Ensure compliance with all applicable safety standards (i.e. ANSI A156.10 / A156.19) upon completion of installation.
- DO NOT attempt any internal repair of the sensor. All repairs and/or component replacements must be performed by BEA, Inc. Unauthorized disassembly or repair:
 1. May jeopardize personal safety and may expose one to the risk of electrical shock.
 2. May adversely affect the safe and reliable performance of the product will result in a voided product warranty.

4 FCC Compliance

FCC ID#: G9B-MATRIX IC ID#: 4680A-MATRIX

10MATRIXS110 : Single loop detector with 110 to 120 V AC power supply.
 10MATRIXS220 : Single loop detector with 220 to 240 V AC power supply.
 10MATRIXS1224 : Single loop detector with 12 to 24 V AC/DC power supply.
 10MATRIXD110 : Dual loop detector with 110 to 120 V AC power supply.
 10MATRIXD220 : Dual loop detector with 220 to 240 V AC power supply.
 10MATRIXD1224 : Dual loop detector with 12 to 24 V AC/DC power supply.

The Digital Transmitters and Receivers comply with Part 15 of the FCC rules. Operation is subject to the following two conditions:

- 1) This device may not cause harmful interference and;
- 2) This device must accept any interference received including interference that may cause undesired operations.

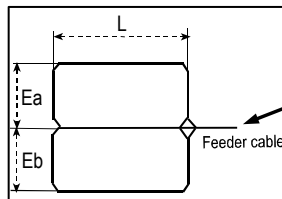
Changes or modifications not expressly approved by BEA, Inc. for compliance could void the user's authority to operate the equipment.

5 Loop Installation Tips

A. CABLE SPECIFICATIONS FOR LOOP AND FEEDER

- 16 AWG (1.5mm²) cross section area ;
- Multi-strand cable ;
- Insulation material : PVC or Silicone ;
- For the feeder cable, the wire must be twisted at least 15 times per yard for each cable.
- Feeder for long runs used for foil screened cable is recommended (earth at equipment end only)
- The feeder cable must be firmly fixed to avoid any false detection (max length: 330 ft. / 100m).
- Waterproof cable junction box is required.

B. LOOP GEOMETRY



- When two adjacent loops are connected to a dual channel sensor, it is possible for these loops to share a common slot, if so required. As the channels are multiplexed, no interference will occur.
- Avoid large loops or long feeder (max 330 ft. / 100 m), or else the sensitivity will be affected.

C. NUMBER OF LOOP TURNS

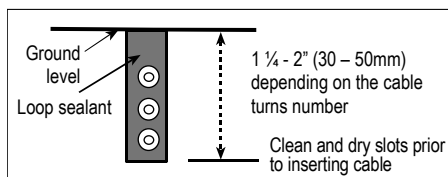
- Measure the length (L) and width (Ea) of one loop. Multiply these numbers together to determine the loop surface area.
- For example: If L=10 ft, Ea= 3 ft, then the area = 30 ft²; 4 loop turns are recommended - or -
 If L=2m, Ea=1m, then the area = 2 m² ; 4 loop turns are recommended.

WARNING: FOR CONFORMITY REASONS, IN ANY INSTALLATION, THE LOOP SURFACE MULTIPLIED BY THE NUMBER OF TURNS SHOULD NOT EXCEED 215 SQUARE FEET OR 20 SQUARE METERS.

Recommended values for the turns:

Area		Number of turns
<32 ft ²	<3 m ²	4
32 – 54 ft ²	3 – 5 m ²	3
65 – 108 ft ²	6 – 10 m ²	2

D. SLOT DEPTH



6 Wiring

UL Requirement: Shall be used with suitable UL Recognized SWIV2 Relay Socket.



PIN 1: Power Supply
 PIN 2: Power Supply
 PIN 3: Relay 2 (NO)
 PIN 4: Relay 2 (COM)
 PIN 5: Relay 1 (NO)
 PIN 6: Relay 1 (COM)
 PIN 7: Loop A
 PIN 8: Loop Common (Connect to Ground \perp)
 PIN 9: Loop B
 PIN 10: Relay 1 (NC)
 PIN 11: Relay 2 (NC)

WARNING: DO NOT REMOVE THE GREASE ON THE CONNECTOR'S PINS.

WARNING: PIN #8 MUST BE CONNECTED TO THE LOOP AND TO GROUND.

7 Programming

I. THE 3 CONFIGURATIONS

- A. Configuration A: Single Loop Detector (MATRIX-S)
- B. Configuration B: Dual Loop Detector in Independent Mode with Dipswitch #10 OFF (MATRIX-D)
- C. Configuration C: Dual Loop Detector in Combined Mode with Dipswitch #10 ON (MATRIX-D)

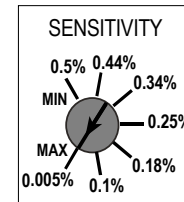
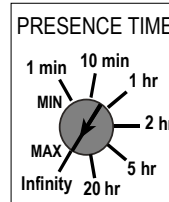
Dip Switch	Configuration A Single loop		Configuration B Dual loop in independent mode		Configuration C Dual loop in combined mode	
	OFF	ON	OFF	ON	OFF	ON
DS#1	See next table		High (loop A)	Low (loop A) [High -30%]	High (loop A)	Low (loop A) [High -30%]
DS#2	See next table		High (loop B)	Low (loop B) [High -30%]	High (loop B)	Low (loop B) [High -30%]
DS#3	Active mode	Passive mode	Active mode	Passive mode	Active mode	Passive mode
DS#4	ASB OFF	ASB ON	ASB OFF	ASB ON	ASB OFF	ASB ON
DS#5	Relay A : Presence on loop A	Relay A : Pulse on loop	Relay A : Presence on loop A	Relay A : Pulse on loop A	Not used	Not used
DS#6	Relay A : Pulse on loop A entry	Relay A : Pulse on loop A exit	Relay A : Pulse on loop A entry	Relay A : Pulse on loop A Exit	Relay B : Non-Directional mode	Relay B: Directional A→B mode
DS#7	Relay B : Presence on loop A	Relay B : Pulse on loop A	Relay B : Presence on loop B	Relay B : Pulse on loop B	Relay B : Pulse on loop B	Relay B : Pulse on loop A
DS#8	Relay B : Pulse on loop A entry	Relay B : Pulse on loop A exit	Relay B : Pulse on loop B entry	Relay B : Pulse on loop B exit	Relay B : Pulse on loop entry	Relay B : Pulse on loop exit
DS#9	100 ms	500 ms	100 ms	500 ms	100 ms	500 ms
DS#10	Not used	Not used	Independent	Combined mode	Independent	Combined mode

II. POTENTIOMETERS

A Potentiometer for Adjustment of the Maximum Duration of a Presence Detection: from 1 min to Infinity (See PRESENCE TIME)

A Potentiometer for Adjustment of the Linear Sensitivity (Δf) for the Loop A: from 0.005% to 0.5% (See SENSITIVITY)

A Potentiometer for Adjustment of the Linear Sensitivity (Δf) for the Loop B: from 0.005% to 0.5% (See SENSITIVITY)



III. RELAY CONFIGURATION (DIPSWITCH #3)

A 10 position dip switch is located on the front of the Matrix single detector. Dip switch 3, 5, 6, 7 and 8 configure the relay, while dip switch 9 controls the duration of the pulse when the Matrix is configured for pulse operation, (as opposed to presence). Configurations are as follows:

DIPSWITCH 3:

OFF= FAIL-SECURE MODE Relay is NOT energized when power is applied. Relay is energized upon detection only. In this mode, the NO circuit is open, and the NC circuit is closed. Thus, if a closed circuit is required upon detection, one must use the NO and COM terminals since they would close upon detection. When the Matrix is NOT powered, it is in the same state as it would be for non-detection.

ON = FAIL-SAFE MODE Relay is energized as soon as power is applied and de-energizes upon detection or power loss. In this mode, upon powering the detector, the NO circuit becomes closed, and the NC circuit becomes open. Thus, if a closed circuit is required upon detection, one must use the NC and COM terminals, since they would now be OPEN during non-detection, and would close upon detection. When the Matrix is NOT powered, it is in the same state as it would be for detection.

DETECTION STATUS	FAIL-SECURE MODE (Active Mode) (Relay is not energized upon power-on) DIPSWITCH 3 = OFF	FAIL-SAFE MODE (Passive Mode) (Relay becomes energized upon power-on) DIPSWITCH 3 = ON
NO DETECTION	The COM and NO terminals are OPEN. COM and NC terminals are CLOSED. The relay is de-energized.	The COM and NO terminals are CLOSED. COM and NC terminals are OPEN. The relay is energized.
DETECTION	The COM and NO terminals are CLOSED. COM and NC terminals are OPEN. The relay is energized.	The COM and NO terminals are OPEN. COM and NC terminals are CLOSED. The relay is de-energized.
UPON POWER LOSS	The COM and NO terminals are OPEN. COM and NC terminals are CLOSED The relay is de-energized.	The COM and NO terminals are OPEN. COM and NC terminals are CLOSED. The relay is de-energized.

7 Programming (cont'd)

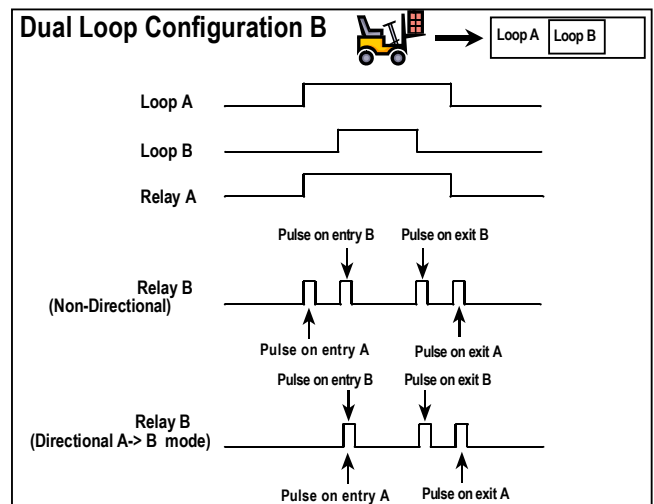
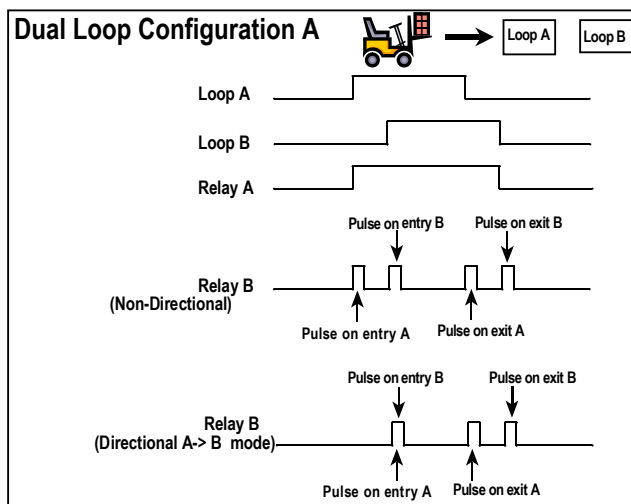
IV. DIPSWITCHES

A. After each dipswitch change the sensor launches a learning process.

DIPSWITCH	LEARNING PROCESS
#1	Frequency Adjustments of Loop A (see ADJUSTMENTS)
#2	Frequency Adjustments of Loop A (with single loop) or Loop B (with Dual Loops)
#3	Relay configuration: Active (Fail-Secure) or Passive (Fail-Safe)(See Programming Step III.)
#4	Automatic Sensitivity Boost (ASB option) [recommended for improved truck detection] : During a detection, the sensitivity increases automatically to 8 times the preset sensitivity given by the sensitivity potentiometer adjustment. It is limited to the maximum sensitivity ($\Delta f = 0.005\%$). It goes back to the preset value after detection stops.
#5	Relay A Function: Presence or Pulse (not used with dual loop in combined mode)
#6	Relay A Pulse type: Entry or Exit (used only at pulse function) or Relay B Mode (with dual loop in combined mode) (see drawing on next page) <ul style="list-style-type: none"> • Non-Directional: Relay B provides a pulse according to the dip switches #7 and #8 setting. • Directional A→B: Relay B provides a pulse only if loop A is detecting before loop B. The logic detection takes place according to dip switches #7 and #8. <p>WARNING: DURING THE DETECTION, THE 2 LOOPS HAVE TO DETECT SIMULTANEOUSLY FOR A SHORT PERIOD TO BE ABLE TO DETERMINE THE MOVEMENT DIRECTION. DURING LOOP INSTALLATION MAKE SURE THE 2 LOOPS ARE CLOSE ENOUGH TO EACH OTHER TO ENSURE A COMMON DETECTION (TYPICAL 3 FEET).</p>
#7	Relay B Function: Presence or Pulse - or - Loop Selection for Relay B Pulse: Pulse on Loop B or Pulse on Loop A (used with dual loop in combined mode)
#8	Relay B Pulse Type: Entry or Exit (used only at pulse function)
#9	Pulse Duration for Both Relays (used only at pulse function): 100 ms or 500 ms
#10	Dual Loop Mode: Independent or Combined A→B (not used with single loop)

8 Adjustments

FREQUENCY ADJUSTMENT FOR LOOP A FOR SINGLE LOOP DETECTOR		
LOOP FREQUENCY	DIPSWITCH #1	DIPSWITCH #2
HIGH	Off	Off
MID HIGH (High - 20%)	On	Off
MID LOW (High - 25%)	Off	On
LOW (High - 30%)	On	On



9 Adjustments

GREEN LED shows when the module is powered.

RED LED gives:

- The corresponding loop detection state in normal situation;
- The value of the oscillation frequency measurement or an error message on power ON.

Normally, the RED LED stays ON as long as the loop is in a state of detection.

On POWER ON, the sensor measures the oscillation frequency of each loop. The result of this measurement is displayed using the corresponding RED LED. The number of flashes indicates the tens value of the frequency. For example 4 short flashes correspond to a frequency between 40 kHz and 49 kHz. After this message the LED goes back to normal display. If the loop oscillation frequency falls outside the limits (20 kHz to 130 kHz) the RED LED displays an error message and the sensor activates the corresponding relay. The blinking frequency shows the type of error according to the next table. The sensor will stay in error mode until the error is cleared and the frequency goes to the right range.

Remark: The sensor launches automatically a learning process if the oscillation frequency varies more than 10% in comparison with the measurement value.

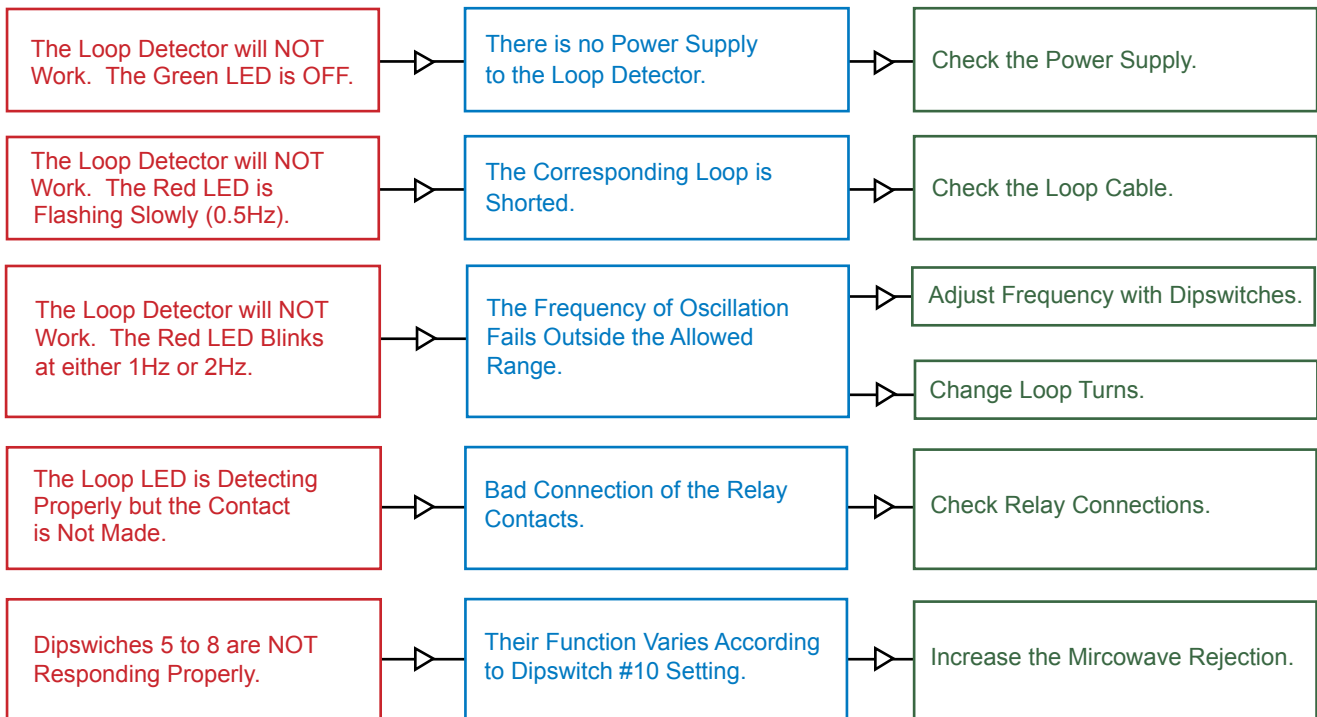
LOOP FREQUENCY ERROR	LED DISPLAY
Oscillation frequency too LOW or loop opened	LED blinking at 1Hz
Oscillation frequency too HIGH	LED blinking faster at 2 Hz
Loop shorted or no oscillation	LED blinking slower at 0.5 Hz

10 Troubleshooting

SYMPTOMS

POSSIBLE CAUSES

CORRECTIVE ACTION



11 Company Contact



Do not leave problems unresolved. If a satisfactory solution cannot be achieved after troubleshooting a problem, please call BEA, Inc. If you must wait for the following workday to call BEA, leave the door inoperable until satisfactory repairs can be made. Never sacrifice the safe operation of the automatic door or gate for an incomplete solution.

The following numbers can be called 24 hours a day, 7 days a week. For more information, visit www.beasensors.com.

US and Canada: 1-866-249-7937
Canada: 1-866-836-1863
Northeast: 1-866-836-1863

Southeast: 1-800-407-4545
Midwest: 1-888-308-8843
West: 1-888-419-2564