

# RETROFIT SPACER KIT

Retrofit accessories for sliding door sensor spacer



Visit website for available languages of this document.

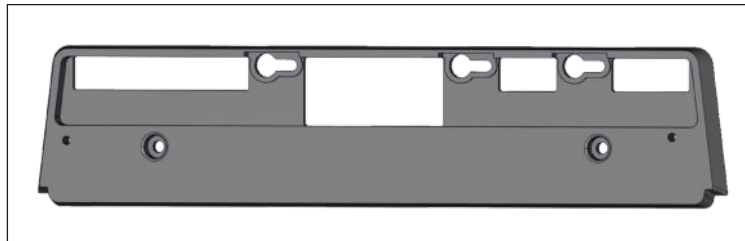
## DESCRIPTION

The RETROFIT SPACER KIT allows for installation of a sliding door sensor + spacer where a competitor sliding door sensor had been installed.

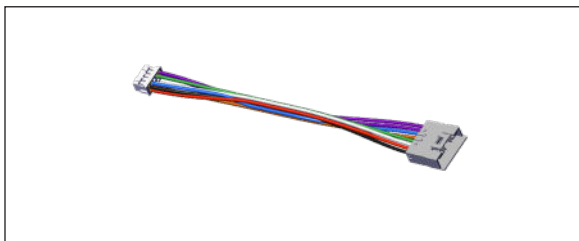
The kit includes:

- spacer ( $\frac{3}{8}$ "
- 2 pigtail harnesses ( 2  $\frac{1}{2}$ " and 9")
- screws for securing the spacer to the mounting location
- screws for securing the sensor to the spacer

RETROFIT SPACER –  $\frac{3}{8}$ "

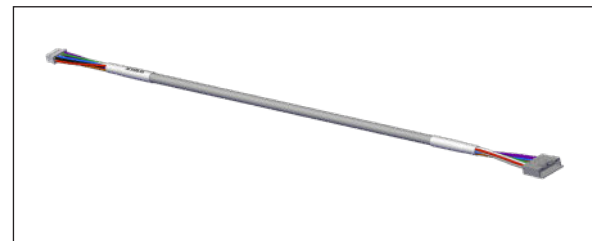


HARNESS – 2  $\frac{1}{2}$ "



AND

HARNESS – 9"



### BEA, INC. INSTALLATION/SERVICE COMPLIANCE EXPECTATIONS

BEA, Inc., the sensor manufacturer, cannot be held responsible for incorrect installations or incorrect adjustments of the sensor/device; therefore, BEA, Inc. does not guarantee any use of the sensor/device outside of its intended purpose.

BEA, Inc. strongly recommends that installation and service technicians be AAADM-certified for pedestrian doors, IDA-certified for doors/gates, and factory-trained for the type of door/gate system.

Installers and service personnel are responsible for executing a risk assessment following each installation/service performed, ensuring that the sensor/device system performance is compliant with local, national, and international regulations, codes, and standards.

Once installation or service work is complete, a safety inspection of the door/gate shall be performed per the door/gate manufacturer's recommendations and/or per AAADM/ANSI/DASMA guidelines (where applicable) for best industry practices. Safety inspections must be performed during each service call – examples of these safety inspections can be found on an AAADM safety information label (e.g. ANSI/DASMA 102, ANSI/DASMA 107, UL294, UL325, and International Building Code).

Verify that all appropriate industry signage, warning labels, and placards are in place.

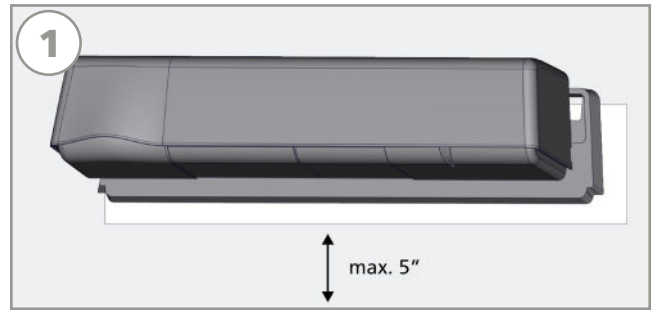


A Halma company

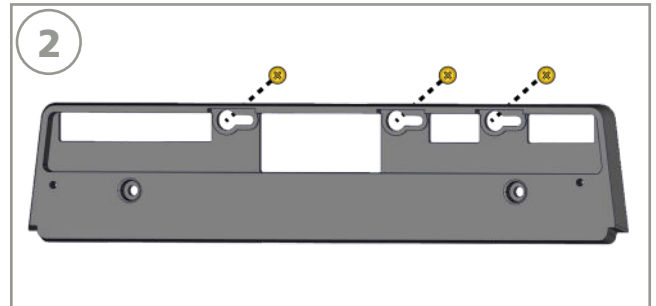
Tech Support & Customer Service: 1-800-523-2462 | General Tech Questions: techservices-us@BEAsensors.com | Tech Docs: www.BEAsensors.com

## MOUNTING & ASSEMBLY

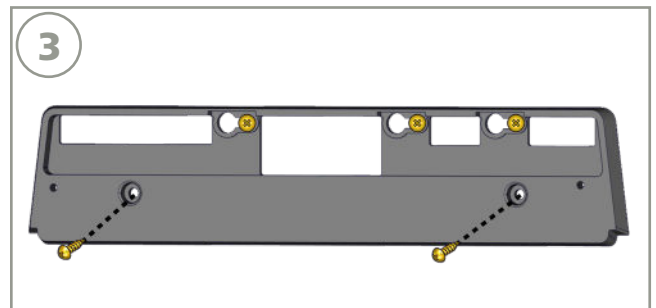
1. Verify that the existing mounting location will orient the bottom of the sensor to be no more than 5" from the bottom of the door header.



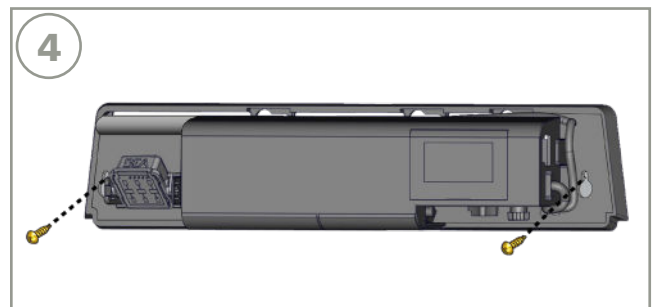
2. Align the keyholes of the spacer with the three existing screws (from the previous installation), slide to the left, and then secure the screws. Replacement screws are not provided in this kit.



3. Stabilize the spacer to prevent vibrations using the set of spacer mounting screws (50.1818, provided).



4. Once the spacer is secured in the mounting location, place the sensor onto the spacer and secure on the left and right sides using the sensor mounting screws (50.5362).



5. Now that the sensor/spacer assembly is mounted, select your desired harness length and plug in to the existing door control harness. Plug in the free end to the sensor.

